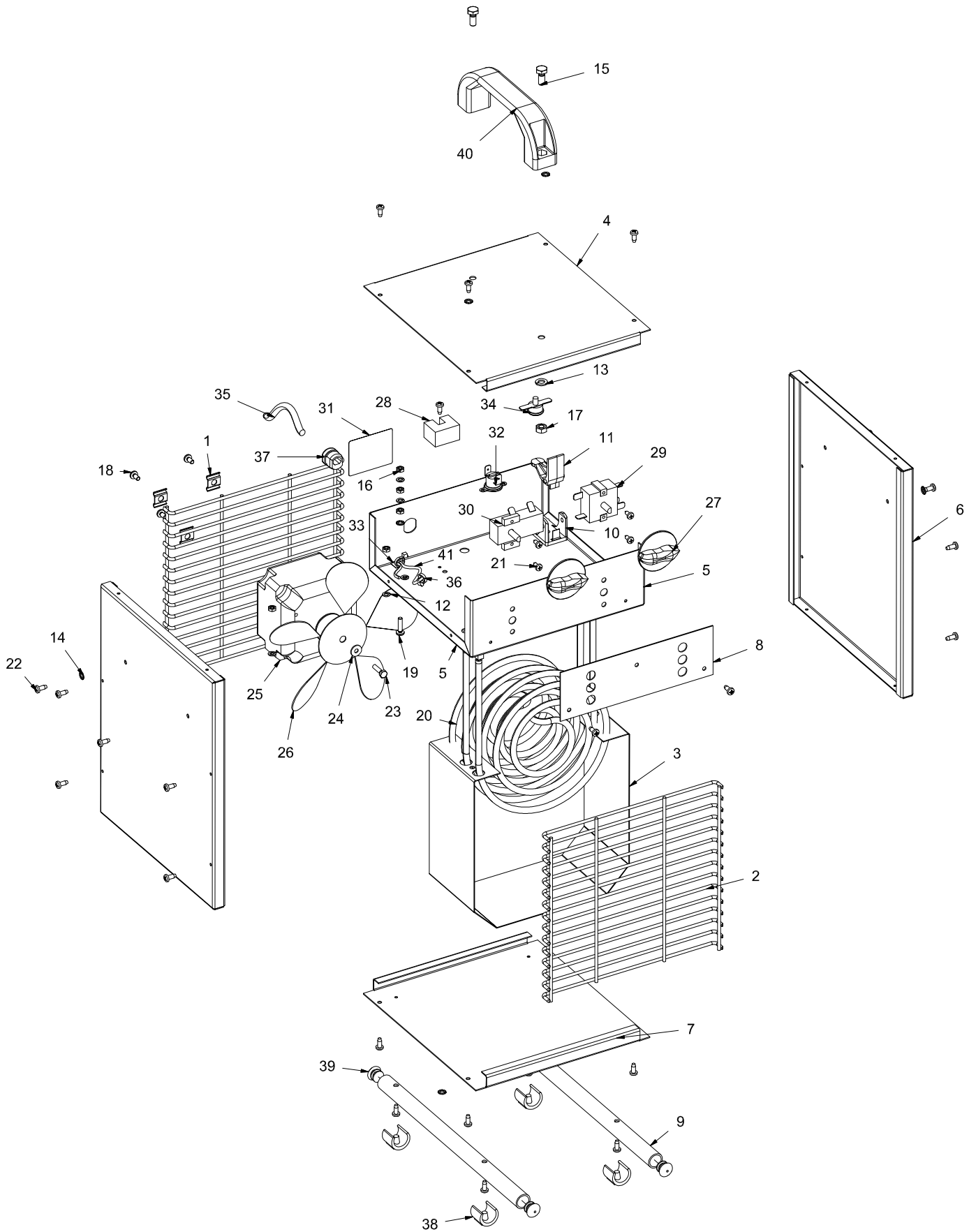


MASTER ELECTRIC HEATERS

MODEL B 3S EPA

ILLUSTRATED PARTS BREAKDOWN



MASTER ELECTRIC HEATERS B 3S EPA 3kW

Pos.	Description	Code NR	Qty.
1	WASHER FIXING	4510.140	3
2	GRILL	4510.190	2
3	HEAT SHIELD	S/R	1
4	TOP COVER	S/R	1
5	SHELF	S/R	1
6	SIDE COVER	S/R	2
7	DOWN COVER	S/R	1
8	FRONT PANEL	S/R	1
9	LEG	4510.264	2
10	BASE FOR RESET LEVER	4510.611	1
11	RESET LEVER	4510.612	1
12	WASHER A4	4510.810	5
13	WASHER A6	4510.831	2
14	WASHER A4,3	4510.811	7
15	SCREW M6x14	4510.829	2
16	NUT M4	4510.808	5
17	NUT M6	4510.830	2
18	TAP SCREW M4X8	4510.814	3
19	TAP SCREW M4x16	4510.828	1
20	HEATING ELEMENT 1400W / 230V	4510.364	2
20	HEATING ELEMENT 1400W / 230V 2007 EDITION	4510.368	2
21	TAP SCREW ST3,5x9,5	4510.801	4
22	TAP SCREW ST3,9x9,5	4510.802	30
23	SCREW M4x16	4510.807	1
24	WASHER 4,3 12mm	4510.812	1
25	MOTOR 5W/230V	4510.301	1
26	FAN	4510.316	1
27	KNOB	4510.610	2
28	SCREW TERMINAL	4510.409	1
29	SWITCH	4510.401	1
30	BIMETAL THERMOSTAT	4510.403	1
31	DATA PLATE	N/A	1
32	OVERHEAT SENSOR	4510.404	1
33	LABEL GROUND WIRE	N/A	1
34	TEMP LIMITER	4510.405	1
34	TEMP LIMITER 2007 EDITION	4510.435	1
35	SUPPLY CORD WITH PLUG	4510.427	1
36	BELT	4510.608	2
37	STRAIN RELIEF BUSHING	4510.605	1
38	SLIDER	4510.620	4
39	PIPE CAP	4510.604	4
40	HANDLE	4510.601	1
41	ELECTRICAL WIRE SET	4510.740	1

S/R = Parts Available By Special Request Only

N/A = Parts Not Available