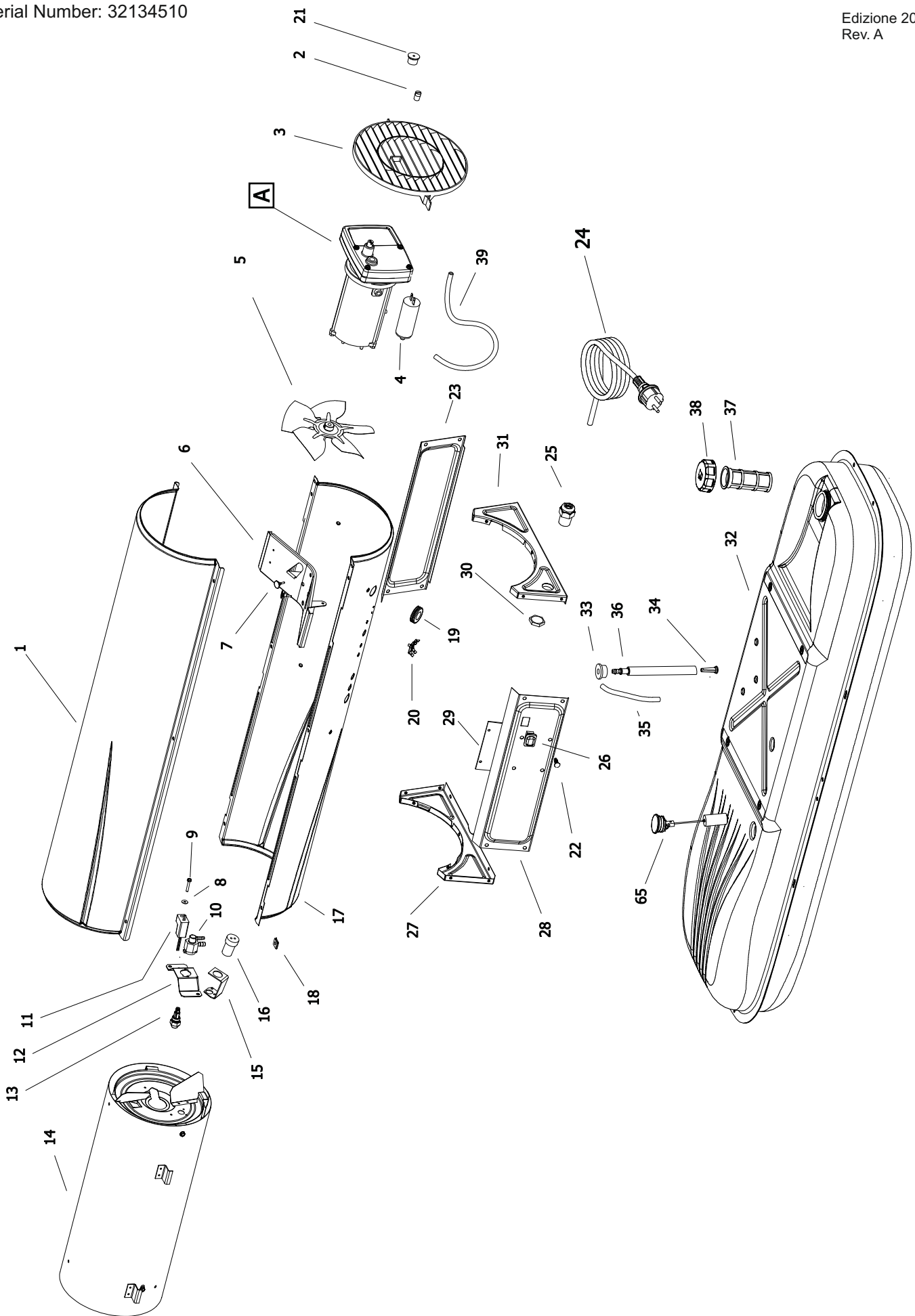


B 145 CEL

UNIT 1

ILLUSTRATED PARTS BREAKDOWN

Edizione 2013
Rev. A

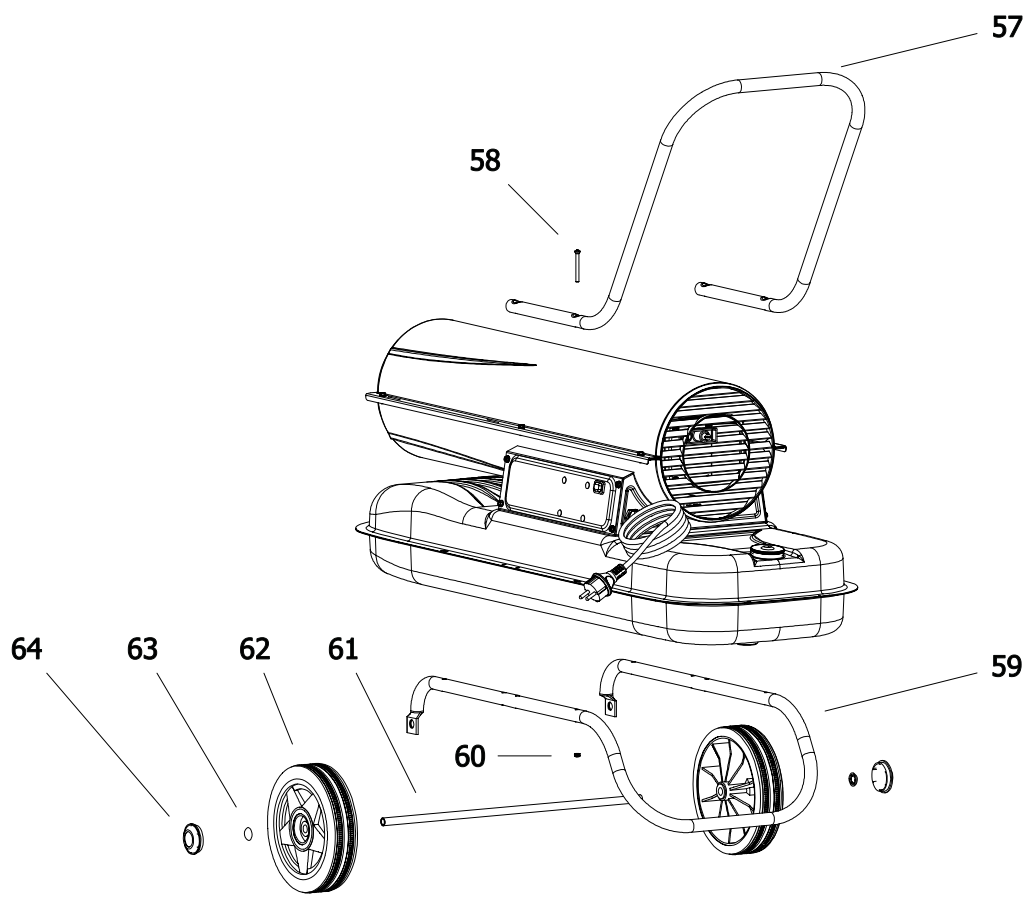
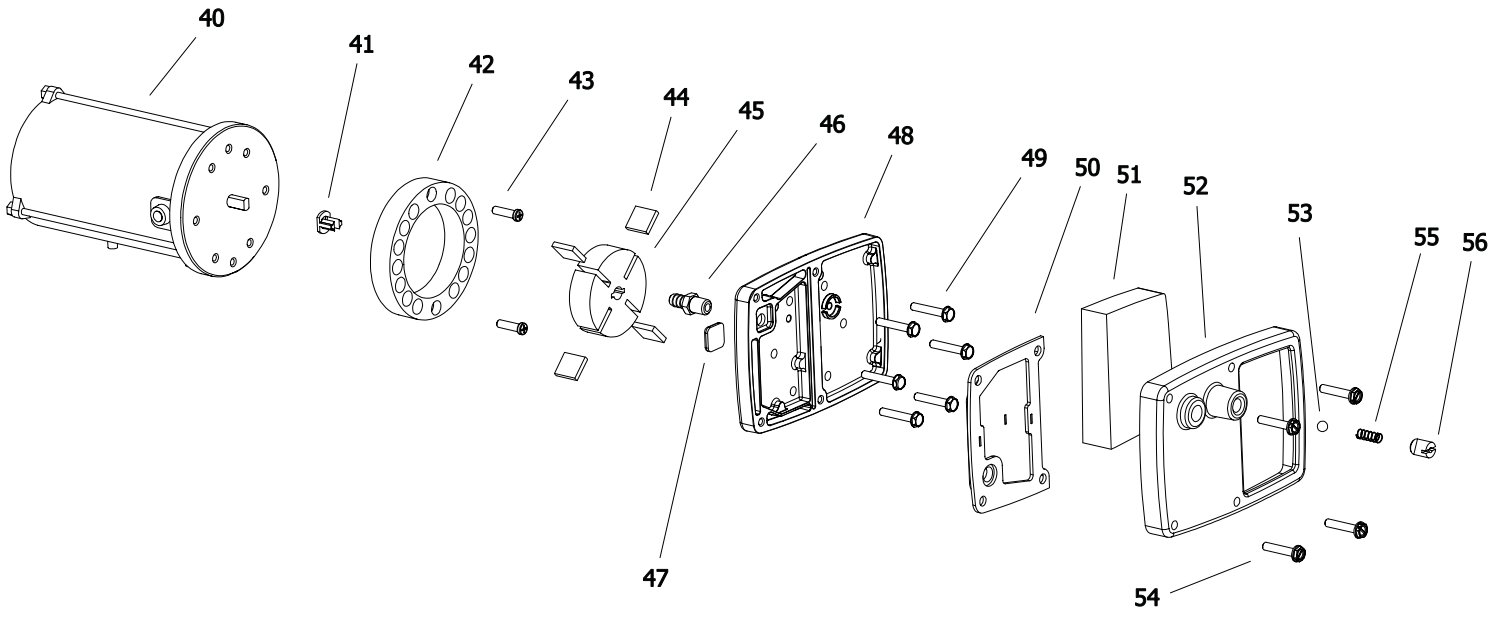


B 145 CEL

UNIT 2

ILLUSTRATED PARTS BREAKDOWN

A



Pos.	Code NR	Description
1	4110.360	UPPER SHELL
2	4102.125	PRESSURE GAUGE CAP
3	4103.695	FAN GUARD
4	4111.855	CAPACITOR 10UF
4	4110.294	CAPACITOR 8UF
5	4105.062	FAN
6	4101.240	MOTOR BRACKET
7	4150.553	BUMPER
8	4100.660	WASHER
9	4100.669	SCREW
10	4100.663	NOZZLE ADAPTER
11	4110.132	IGNITOR
12	4100.653	NOZZLE BRACKET
13	4100.646	NOZZLE
14	4110.182	COMBUSTION CHAMBER
15	4100.659	PHOTOCELL BRACKET
16	4103.590	PHOTOCELL ASSEMBLY
17	4110.359	LOWER SHELL
18	4104.170	CLIP NUT
19	4160.646	CABLE PROTECTION
20	4160.639	POP RIVET
21	4100.666	COVER CAP
22	4110.460	PC BOARD SUPPORT
23	4110.379	RIGHT PANEL
24	4110.451	POWER CORD
24-A	4111.811	POWER CORD NEW ZEALAND
24-B	4110.464	POWER CORD UK
25	4150.528	STRAIN RELIEF
26	4100.667	ON/OFF SWITCH
27	4110.354	FRONT FRAME BRACKET
28	4110.477	CONTROL BOX SIDE PANEL
29	4110.142	IGNITION CONTROL ASSEMBLY
30	4100.656	LOCKNUT
31	4110.353	REAR FRAME BRACKET
32	4110.891	FUEL TANK
33	4100.541	RUBBER BUSHING

Pos.	Code NR	Description
34	4110.356	FUEL FILTER
35	4110.032	FUEL LINE
36	4110.355	FUEL LINE
37	4290.026	FUEL TANK FILTER
38	4260.007	FUEL TANK CAP
39	4104.147	AIR LINE
40	4110.452	MOTOR 1/4 HP
41	4108.635	INSERT
42	4101.532	PUMP BODY
43	4108.590	PUMP BODY SCREW
44	4101.666	BLADE
45	4103.441	ROTOR
46	4104.118	BARB FITTING
47	4101.333	LINT FILTER
48	4101.325	PUMP END COVER
49	4108.536	SCREW/LOCKWASHER 4,8x30
50	4101.341	OUTPUT FILTER
51	4101.358	INTAKE FILTER
52	4108.643	END COVER
53	4108.379	STEEL BALL
54	4108.528	SCREW/LOCKWASHER 4,8x25
55	4102.141	PRESSURE RELIEF SPRING
56	4102.133	ADJUSTING SCREW
57	4110.368	HANDLES
58	4110.144	SCREW
59	4110.369	WHEEL SUPPORT FRAME
60	4110.143	LOCK NUT
61	4110.370	AXLE
62	4110.084	WHEEL
63	4110.162	WASHER
64	4110.129	CAP NUT
65	4260.017	FUEL GAUGE