



汽油机零部件图册

PART CATALOGUE

LC165FDS

LC170FDS



版本号 **VERSION No.:** 2011-01

隆鑫通用动力股份有限公司

LONCIN MOTOR CO.,LTD.

零件目录使用说明(Instruction for use of parts catalogue)

本零件目录是根据2011年1月所能得到的最新资料编制而成的。

This parts catalogue was prepared based on the latest information available as of January 2011.

请注意2011年1月以后本零部件目录的修订通知。

See the parts catalogue news for any revision that is made after January 2011.

当订购零件时，一定要明确指出其零件编号。

Always specify the part number when ordering a part.

注意本零件目录所给出的图形可能与实际零件外形有所不同。

Note that the illustrations can differ from the actual parts in shape.

当需要对零部件目录的内容进行更改或增加时，本公司将在适当的时间出版修订版，为保证在任何时候都可以使用到最新版本的零部件目录建议拥有最新的修订版本。如果要检查修订版本是否已经发行，请直接与LONCIN联系。

When modifications or additions to this parts catalogue are made, a revised edition will be issued at an appropriate time,

We recommend obtaining such revisions in order to keep your parts catalogue up-to-date at all times. To check whether a parts catalogue revision has been issued, please contact your LONCIN distributor.

示例 (Example)

| 序号 No. | 零部件图号 Part No. | 零部件名称 | Description | 数量 (Reqd. QTY) | |
|-----------|-------------------|-----------|---------------|----------------|------------|
| | | | | LC165F(D)S | LC170F(D)S |
| 10 | 380370051-T040 | 磁电机(飞轮)螺母 | NUT , SPECIAL | 1 | 1 |
| 2 | 110810092-T152 | 曲轴箱体 | CRANK CASE | - | <1> |
| 11 | 270020140-T151 | 转子部件(飞轮) | FLYWHEEL COMP | (1) | (1) |

LC165F(D)S(扫雪机)表示LC170FS(扫雪机)及LC170FDS(扫雪机); [LC165F(D)S(snow engine) means LC165FS(snow engine) and LC170FDS(snow engine)]

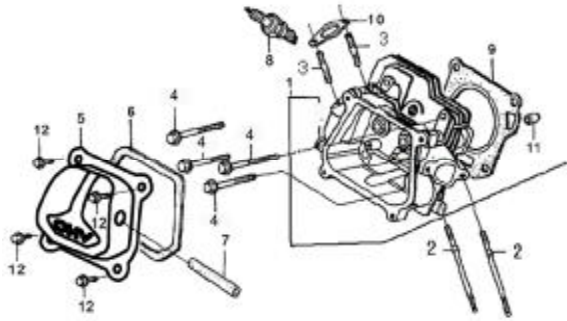
LC170F(D)S(扫雪机)表示LC170FS(扫雪机)及LC170FDS(扫雪机); [LC170F(D)S(snow engine) means LC170FS(snow engine) and LC170FDS(snow engine)]

1 表示LC170FS、LC165FS及LC170FDS、LC165FD)(各1个; [1 means LC170FS、LC165FS(snow engine) has 1 QTY and LC170FDS、LC165FDS(snow engine) has 1 QTY]

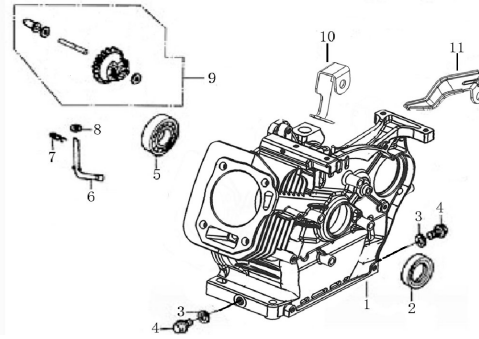
(1) 表示LC170FS(扫雪机)没有, LC170FDS(扫雪机)有1个。[(1) means LC170FS (snoe engine) require 0 QTY and LC170FDS(snow engine) require 1 QTY]

<1>表示LC165FS(扫雪机)没有, LC165FDS(扫雪机)有1个。[(1) means LC165FS (snoe engine) require 0 QTY and LC165FDS(snow engine) require 1 QTY]

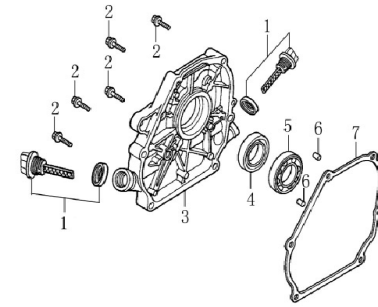
汽缸头(CYLINDER HEAD)



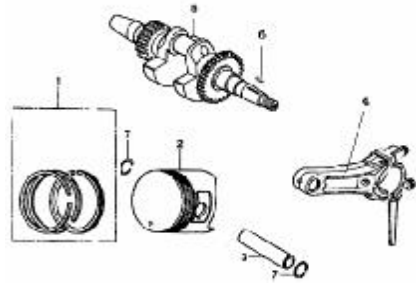
曲轴箱(CRANK CASE)



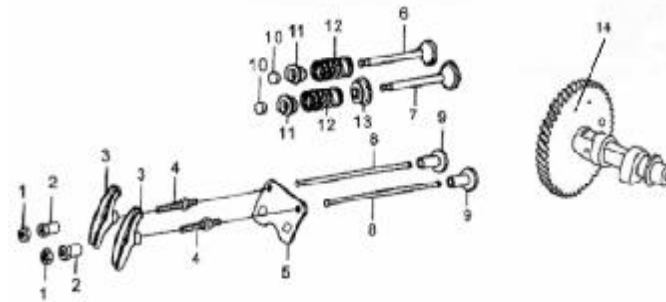
曲轴箱盖(CRANKCASE COVER)



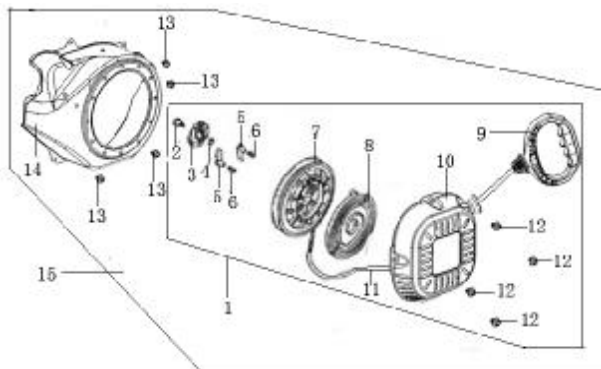
曲轴/活塞连杆(CRANKSHAFT/PISTON)



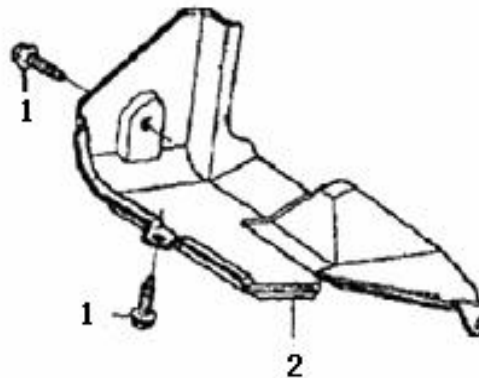
配气系统(GAS DISTRIBUTION ADJUSTMENT)



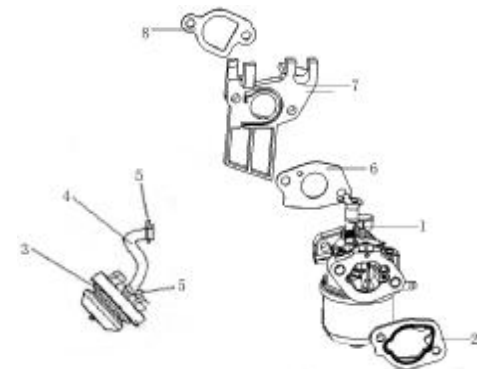
起动器部件(STATER SUBASSEMBLY)



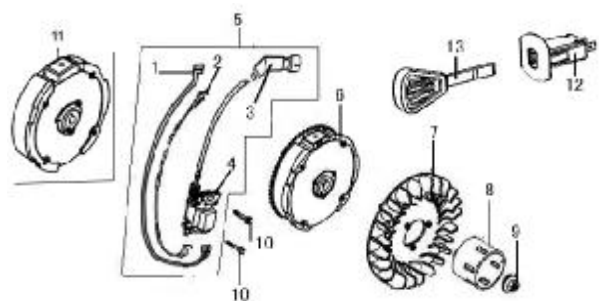
导风部件 (DIVERSION ASSY.)



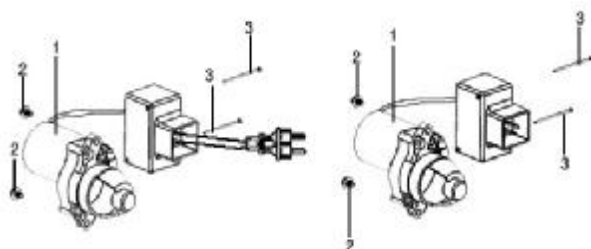
化油器(CARBURETOR)



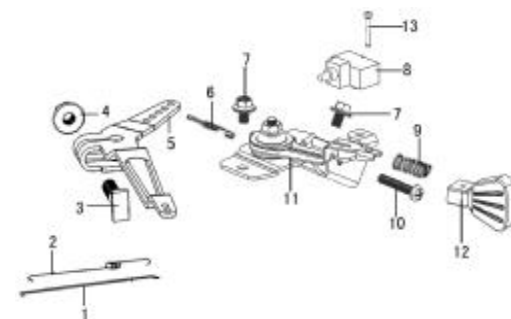
转子部件/点火线圈 (FLYWHEEL/COIL ASSY.)



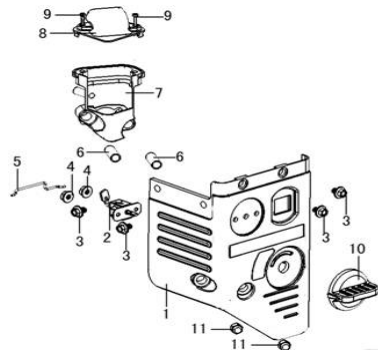
起动机 (STARTER MOTOR)



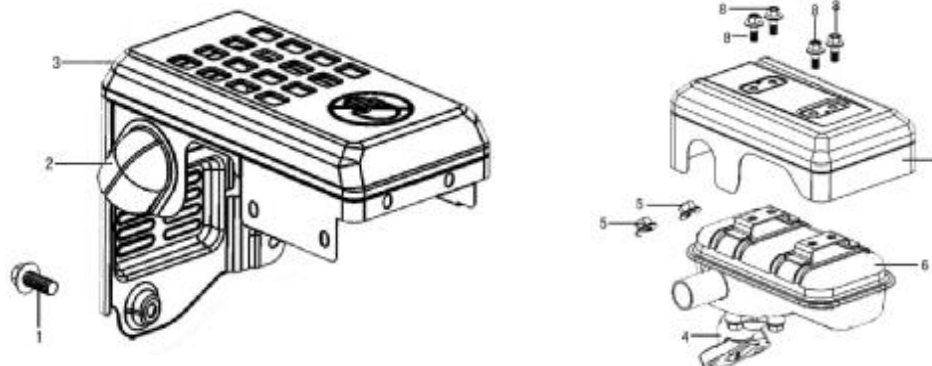
调速控制系统 (CONTROL SYSTEM)



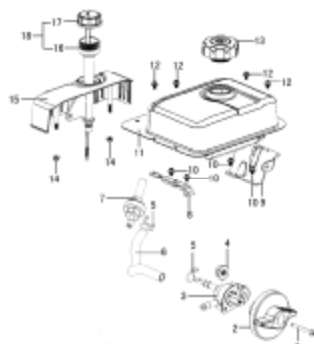
空滤器 (AIR CLEANER)



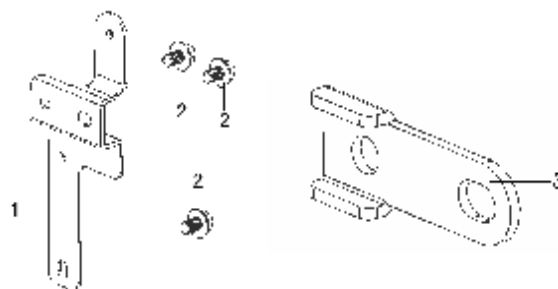
消音器 (MUFFLER)



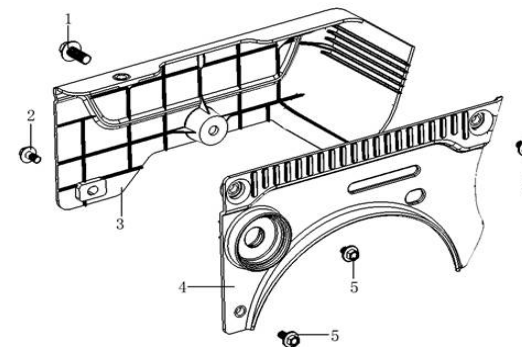
燃油箱 (FUEL TANK)

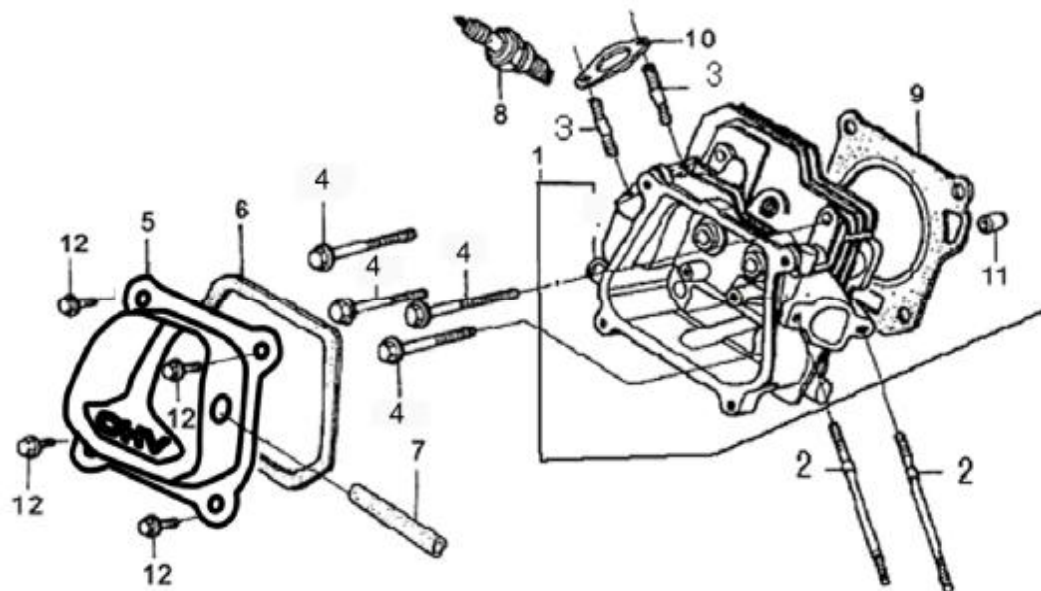


电器件支架(HOLDER,ELECTRIC STARTING BOX)



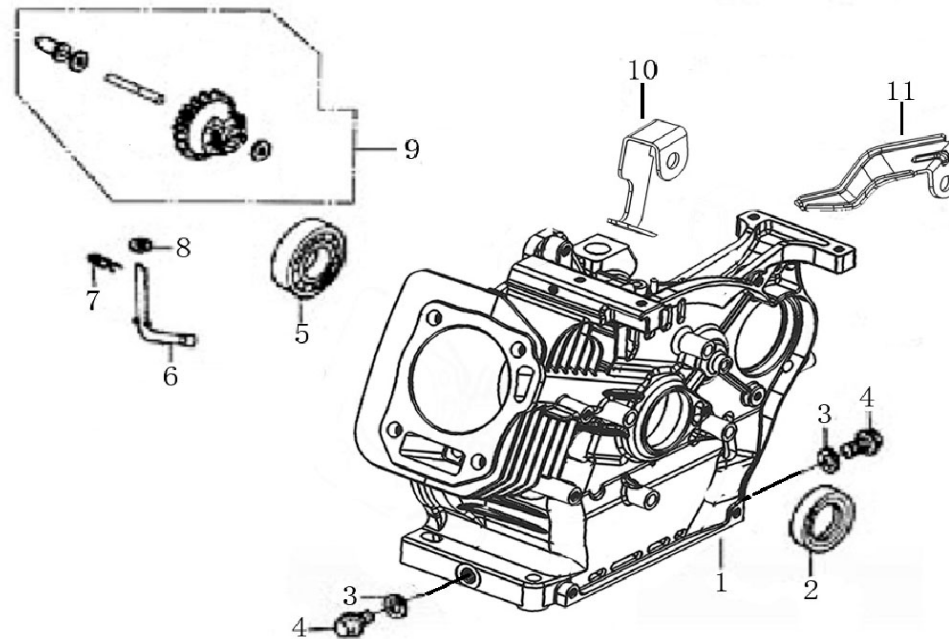
装饰板 (COVER, ENGINE)





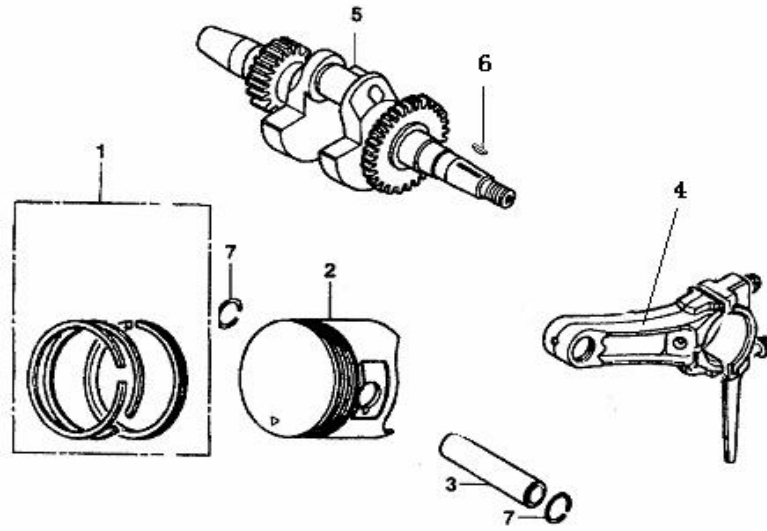
汽缸头 (CYLINDER HEAD)

| 序号 No. | 零部件编号 Part No. | 零部件名称 | Description | 数量 (Reqd. QTY) | |
|-----------|-------------------|--------------|--------------------------|----------------|------------|
| | | | | LC165F(D)S | LC170F(D)S |
| 1 | 120080370-T210 | 汽缸头 | HEAD COMP .,CYLINDER | 1 | - |
| | 120080333-T150 | 汽缸头 | HEAD COMP .,CYLINDER | - | 1 |
| 2 | 380180093-0001 | 双头螺栓6×113.5 | BOLT , STUD , IN.6×113.5 | 2 | 2 |
| 3 | 380180109-0001 | 双头螺栓8×40 | BOLT , STUD , IN.8×40 | 2 | 2 |
| 4 | 380140336-0001 | 六角法兰面螺栓M8×60 | BOLT , FLANGE , 8×60 | 4 | 4 |
| 5 | 120220022-T150 | 汽缸头盖组合 | COVER COMP ., HEAD | 1 | 1 |
| 6 | 120250013-T040 | 汽缸头盖密封垫 | PACKING , HEAD COVER | 1 | 1 |
| 7 | 380740571-T020 | 废气管 | TUBE , BREATHER | 1 | 1 |
| 8 | 270960014-T040 | 火花塞 | PLUG , SPARK | 1 | 1 |
| 9 | 120150124-T210 | 汽缸头密封垫 | GASKET , CYLINDER | 1 | - |
| | 120150107-T150 | 汽缸头密封垫 | GASKET , CYLINDER | - | 1 |
| 10 | 180650077-T150 | 排气口垫 | GASKET , EX.PIPE | 1 | 1 |
| 11 | 380600117-T040 | 定位销 10×14 | PIN , DOWEL | 2 | 2 |
| 12 | 380140001-0005 | 六角法兰面螺栓M6×12 | BOLT , FLANGE , 6×12 | 4 | 4 |
| | | | | | |



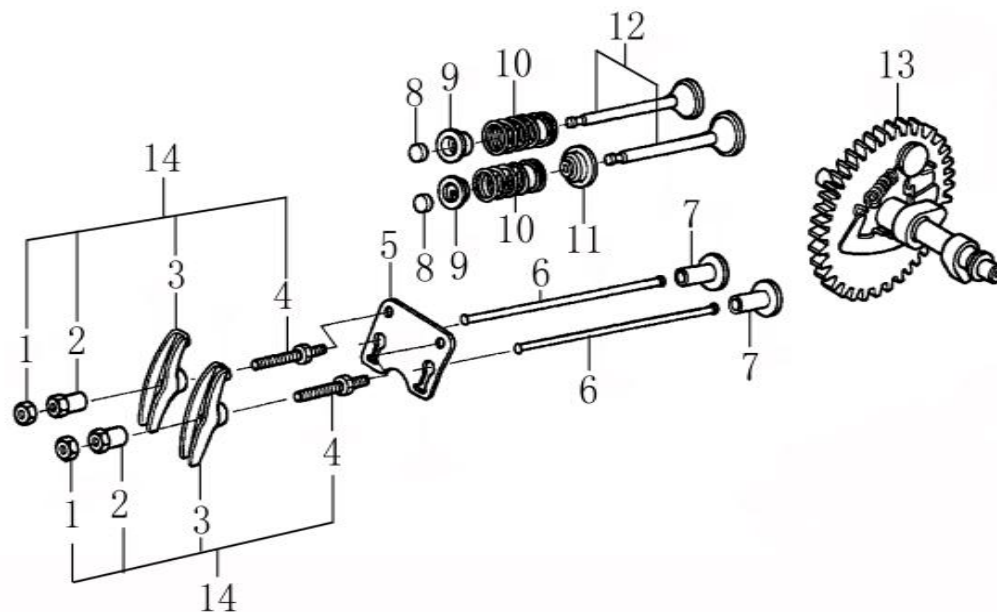
曲轴箱体(CRANK CASE)

| 序号 No. | 零部件图号 Part No. | 零部件名称 | Description | 数量 (Reqd. QTY) | |
|-----------|-------------------|--------------|--------------------------|----------------|------------|
| | | | | LC165F(D)S | LC170F(D)S |
| 1 | 110810093-T210 | 曲轴箱体 | CRANK CASE | 1 | - |
| | 110810091-T211 | 曲轴箱体 | CRANK CASE | (1) | - |
| | 110810092-T152 | 曲轴箱体 | CRANK CASE | - | 1 |
| | 110810090-T153 | 曲轴箱体 | CRANK CASE | - | (1) |
| 2 | 380650490-T040 | 油封25×41.25×6 | OIL SEAL 25×41.25×6 | 1 | 1 |
| 3 | 380450514-T040 | 平垫 10×16×1.5 | WASHER 10×16×1.5 | 2 | 2 |
| 4 | 110260025-T040 | 密封螺塞 M10×15 | BOLT , DRAIN PLUG10×15 | 2 | 2 |
| 5 | 380630137-0002 | 深沟球轴承6205 | BEARING , RADIAL BALL | 1 | 1 |
| 6 | 171630001-T040 | 调速臂 | SHAFT , GOVERNOR ARM | 1 | 1 |
| 7 | 381350004-T040 | 开口销 | PIN , LOCK | 1 | 1 |
| 8 | 380450531-T040 | 平垫 6×13×1 | WASHER 6×13×1 | 1 | 1 |
| 9 | 171750002-T040 | 调速齿轮部件 | GOVERNOR ASSY. | 1 | 1 |
| 10 | 380940585-T153 | 油管限位板 | FUEL LINE RESTRICT BOARD | 1 | 1 |
| 11 | 270280019-T153 | 压线板 | PLATE WINDING | 1 | 1 |
| | | | | | |



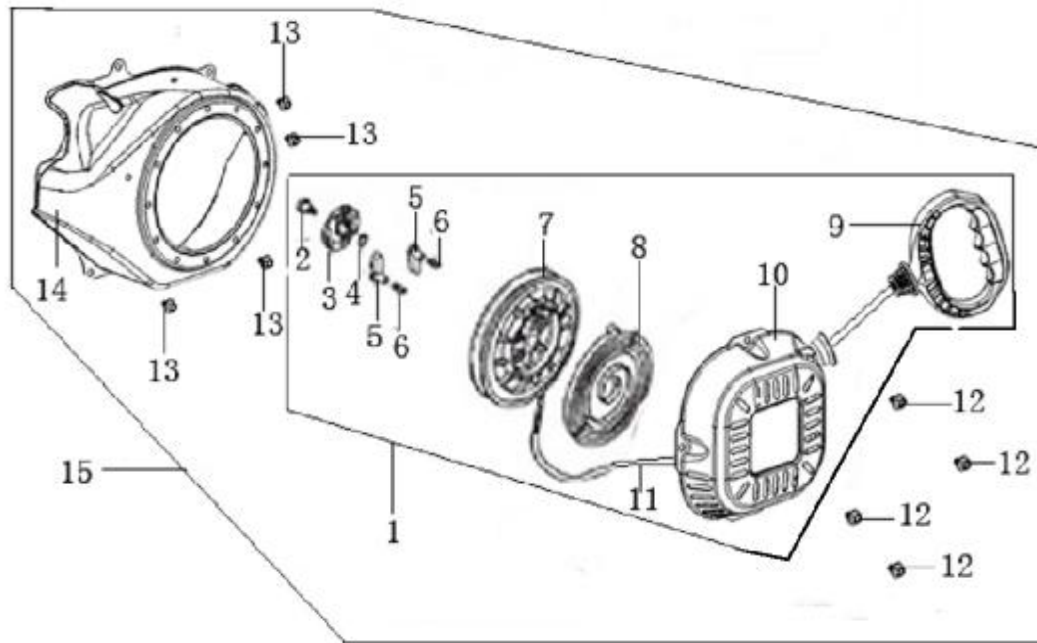
曲轴/活塞 (CRANKSHAFT/PISTON)

| 序号 No. | 零部件图号 Part No. | 零部件名称 | Description | 数量 (Reqd. QTY) | |
|-----------|-------------------|---------------|------------------------|----------------|------------|
| | | | | LC165F(D)S | LC170F(D)S |
| 1 | 130070085-T320 | 活塞环组合 | RING SET | 1 | - |
| | 130070142-T150 | 活塞环组合 | RING SET | - | 1 |
| 2 | 130030092-T320 | 活塞 | PISTON | 1 | - |
| | 130030160-T150 | 活塞 | PISTON | - | 1 |
| 3 | 130060030-T030 | 活塞销 | PIN , PISTON | 1 | - |
| | 130060031-T040 | 活塞销 | PIN , PISTON | - | 1 |
| 4 | 130150062-T210 | 连杆 | ROD ASSY ., CONNECTING | 1 | - |
| | 130150054-T150 | 连杆 | ROD ASSY ., CONNECTING | - | 1 |
| 5 | 130290178-T150 | 曲轴 (R轴) | CRANKSHAFT COMP | 1 | 1 |
| 6 | 380620050-001 | 半圆键4×5.5×12.5 | KEY 4×5.5×12.5 | 1 | 1 |
| 7 | 380560055-T030 | 活塞销挡圈 | CLIP , PISTON PIN | 2 | - |
| | 380560056-T040 | 活塞销挡圈 | CLIP , PISTON PIN | - | 2 |
| | | | | | |
| | | | | | |
| | | | | | |



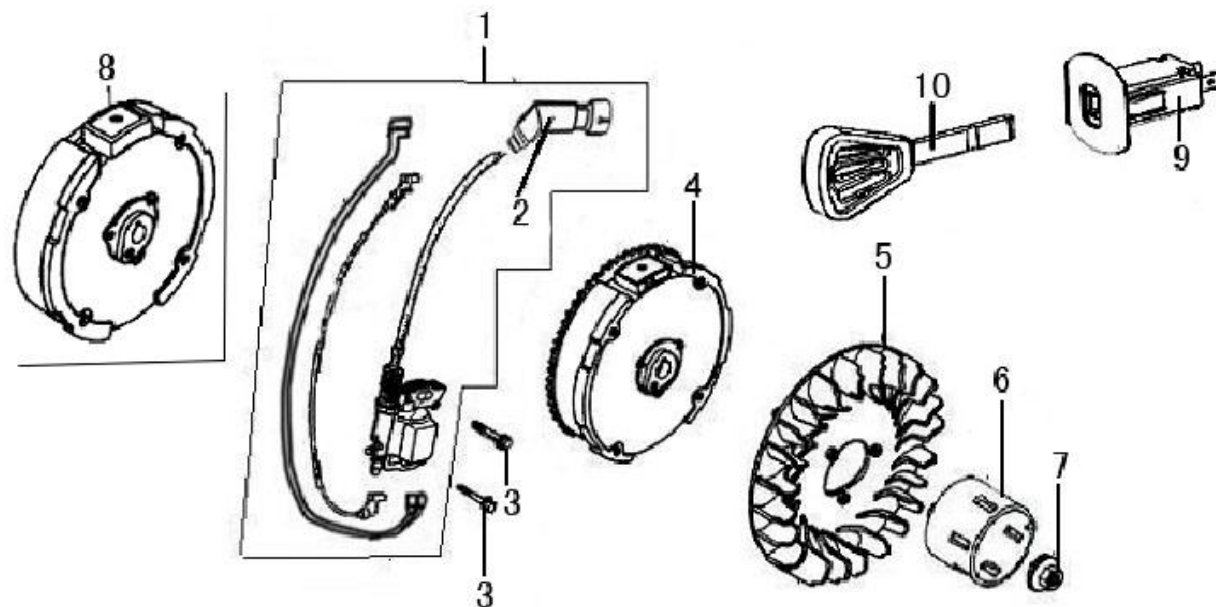
配气系统(GAS DISTRIBUTION ADJUSTMENT)

| 序号 No. | 零部件图号 Part No. | 零部件名称 | Description | 数量 (Reqd. QTY) | |
|-----------|-------------------|------------|-------------------------|----------------|------------|
| | | | | LC165F(D)S | LC170F(D)S |
| 1 | 140470001-T040 | 气门锁紧螺母 | NUT , PIVOT ADJUSTING | 2 | 2 |
| 2 | 140490012-T040 | 气门调节螺母 | PIVOT , ROCKER ARM | 2 | 2 |
| 3 | 140460030-T040 | 气门摇臂 | ARM , VALVE ROCKER | 2 | 2 |
| 4 | 140480012-T040 | 气门调节螺栓 | BOLT , PIVOT , ARM | 2 | 2 |
| 5 | 140710001-T040 | 推杆限位板组合 | PLATE ASSY., | 1 | 1 |
| 6 | 140670004-T040 | 挺杆 | ROD , PUSH | 2 | 2 |
| 7 | 140690003-T050 | 挺柱 | LIFTER , VALVE | 2 | 2 |
| 8 | 140320001-T040 | 气门调整帽 | RATATOR , VALVE | 2 | 2 |
| 9 | 140380017-T040 | 气门弹簧座 | RETAINER , VALVE SPRING | 2 | 2 |
| 10 | 140340022-T040 | (进)气门(内)弹簧 | SPRING , VALVE | 2 | 2 |
| 11 | 140400011-T040 | 挡油罩 | SEAL , GUIDE | 1 | - |
| | 140400016-T05K | 挡油罩 | SEAL , GUIDE | - | 1 |
| 12 | 500550024-T040 | 气门套件 | VALVE COMP. | 1 | - |
| | 500550029-T350 | 气门套件 | VALVE COMP. | - | 1 |
| 13 | 140020076-T050 | 凸轮轴组合 | CAMSHAFT ASSY. | 1 | 1 |
| 14 | 140450022-T040 | 气门摇臂组合 | ARM COMP. | 2 | 2 |



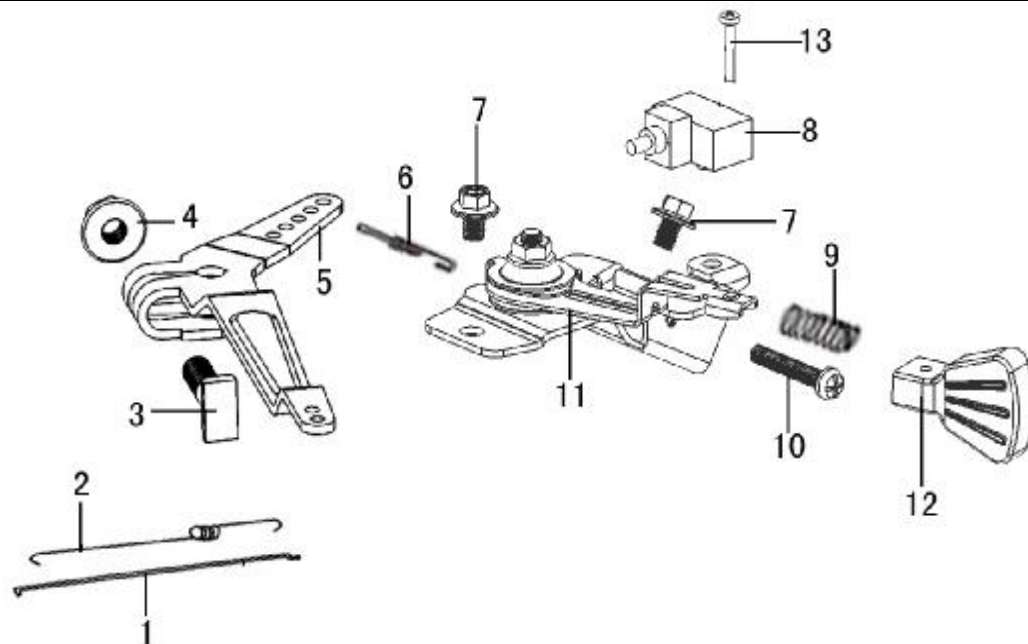
起动机组件 (STARTER SUBASSEMBLY)

| 序号 No. | 零部件图号 Part No. | 零部件名称 | Description | 数量 (Reqd. QTY) | |
|-----------|-------------------|---------------|-------------------------|----------------|------------|
| | | | | G165F(D)S | LC170F(D)S |
| 1 | 193500044-T153 | 起动拉盘组合 | STARTER ASSY. | 1 | 1 |
| 2 | 380020067-T040 | 导向板紧固螺钉 | SCREW , SETTING | 1 | 1 |
| 3 | 193550003-T040 | 驱动导向板 | GUIDE , RATCHET | 1 | 1 |
| 4 | 381150342-T040 | 分离弹簧 | SPRING , FRICTION | 1 | 1 |
| 5 | 193540003-T040 | 驱动凸轮 | RATCHET , STARTER | 1 | 1 |
| 6 | 381160090-T040 | 驱动凸轮扭簧 | SPRING , RETURN | 2 | 2 |
| 7 | 193520003-T040 | 拉绳盘 | REEL , RECOIL STARTER | 1 | 1 |
| 8 | 193340018-T040 | 起动复位弹簧 | SPRING , RECOIL STARTER | 1 | 1 |
| 9 | 193560012-T153 | 拉绳手柄 | KNOB , RECOIL STARTER | 1 | 1 |
| 10 | 193640021-T153 | 拉绳盘罩 | COVER COMP ., FAN | 1 | 1 |
| 11 | 193530010-T040 | 拉绳 | ROPE | 1 | 1 |
| 12 | 380140089-0005 | 六角法兰面螺栓M6×8 | BOLT , FLANGE 6×8 | 4 | 4 |
| 13 | 380140215-0003 | 六角法兰面螺栓M6×14 | BOLT , FLANGE 6×14 | 4 | 4 |
| 14 | 160210040-T153 | 风扇罩 | COVER COMP ., FAN | 1 | 1 |
| 15 | 193490122-T153 | 手起动机组件(起动机组合) | RECOIL STARTER COMP. | 1 | 1 |



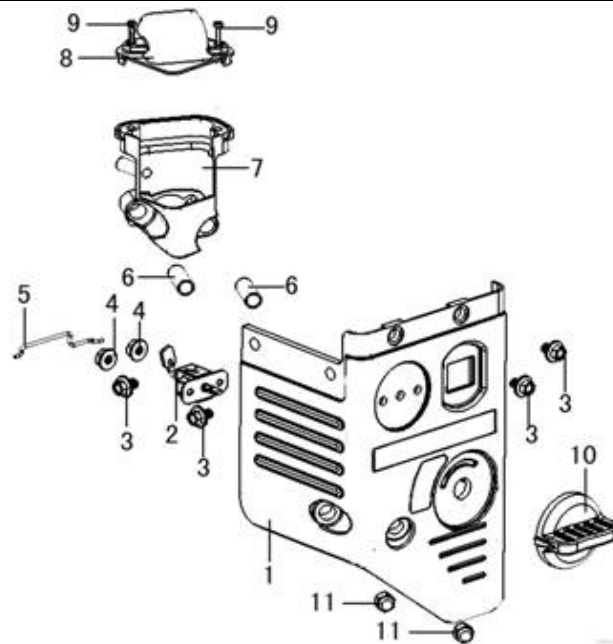
转子部件（飞轮）/点火线圈（FLYWHEEL/COIL ASSY.）

| 序号 No. | 零部件图号 Part No. | 零部件名称 | Description | 数量 (Reqd. QTY) | |
|-----------|-------------------|---------------|-------------------------------|----------------|------------|
| | | | | LC165F(D)S | LC170F(D)S |
| 1 | 270920222-T153 | 点火线圈(点火器) | COIL ASSY . , IGNITION | 1 | 1 |
| 2 | 270950042-T040 | 火花塞帽 | CAP ASSY . , NOISE SUPPRESSOR | 1 | 1 |
| 3 | 380140102-0004 | 六角头法兰面螺栓M6×25 | BOLT , FLANGE , 6×25 | 2 | 2 |
| 4 | 270020150-T151 | 转子部件(飞轮) | FLYWHEEL COMP | (1) | (1) |
| 5 | 160180023-T150 | 叶轮 | FAN , COOLING | 1 | 1 |
| 6 | 193590017-T150 | 起动盘 | PULLEY , STARTER | 1 | 1 |
| 7 | 380370051-0001 | 磁电机(飞轮)螺母 | NUT , SPECIAL | 1 | 1 |
| 8 | 270020150-T150 | 转子部件(飞轮) | FLYWHEEL COMP | 1 | 1 |
| 9 | 271660054-T251 | 熄火开关 | OIL FILLER ASSY | 1 | 1 |
| 10 | 273210001-T153 | 熄火开关钥匙 | SWITCH KEY | 1 | 1 |
| | | | | | |
| | | | | | |
| | | | | | |
| | | | | | |



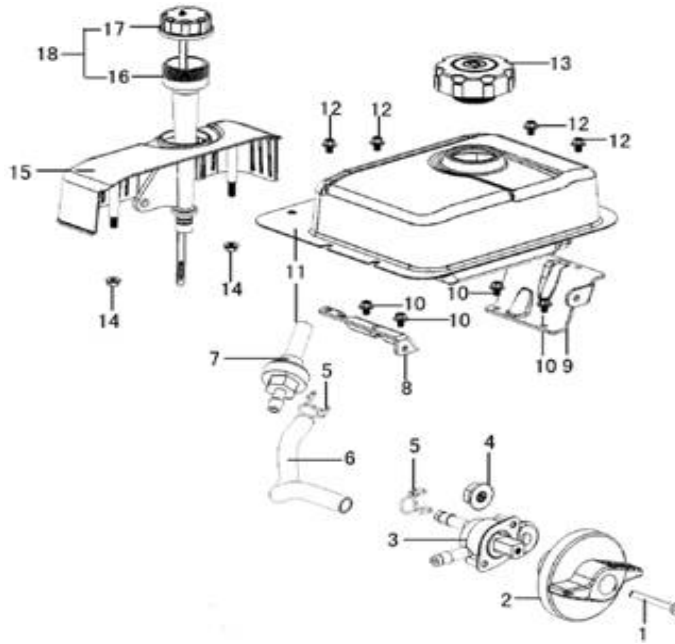
调速控制系统 (CONTROL SYSTEM)

| 序号 No. | 零部件图号 Part No. | 零部件名称 | Description | 数量 (Reqd. QTY) | |
|-----------|-------------------|-------------------|--------------------------|----------------|------------|
| | | | | LC165F(D)S | LC170F(D)S |
| 1 | 171590002-T040 | 油门拉杆 | ROD, GOVERNOR | 1 | 1 |
| 2 | 171610002-T040 | 节气门复位弹簧(拉簧B) | SPRING, THROTTLE RETURN | 1 | 1 |
| 3 | 380250002-T040 | 调速支架固定(方头)螺栓M6×21 | BOLT, QUADRATE HEAD6×21 | 1 | 1 |
| 4 | 380370048-0001 | 法兰面螺母 M6 | NUT, FLANGE,6MM | 1 | 1 |
| 5 | 171620018-T153 | 调速支架 | ARM, GOVERNOR | 1 | 1 |
| 6 | 171600031-T153 | 调速弹簧(拉簧A) | SPRING, GOVERNOR | 1 | 1 |
| 7 | 380140011-0004 | 六角法兰面螺栓M6×10 | BOLT, FLANGE, 6×10 | 2 | 2 |
| 8 | 271660026-T350 | 熄火开关2# | SWITCH ASSY,ENGINE STOP | 1 | 1 |
| 9 | 171660001-T040 | 调速限位簧 | SPRING | 1 | 1 |
| 10 | 380200017-0005 | 十字槽盘头螺钉M5×35 | SCREW , 5×35 | 1 | 1 |
| 11 | 171680056-T153 | 油门操纵手柄组合 | CONTROL ASSY. | 1 | 1 |
| 12 | 173710001-T153 | 油门手柄胶套 | GUM COVER,CONTROL HANDLE | 1 | 1 |
| 13 | 380200008-0005 | 十字槽盘头螺钉M4×10 | SCREW , 4×10 | 1 | 1 |
| | | | | | |
| | | | | | |



空滤器 (AIR CLEANER)

| 序号 No. | 零部件图号 Part No. | 零部件名称 | Description | 数量 (Reqd. QTY) | |
|-----------|-------------------|---------------|-------------------------------|----------------|------------|
| | | | | LC165F(D)S | LC170F(D)S |
| 1 | 180070128-T153 | 空滤器壳体盖 | COVER, AIR CLEANER | 1 | 1 |
| 2 | 171480018-T153 | 阻风门支架 | STAY COMP.,CHOKE | 1 | 1 |
| 3 | 380140011-0006 | 六角头法兰面螺栓M6×10 | BOLT, FLANGE, 6×10 | 4 | 4 |
| 4 | 380370047-0001 | 六角法兰面螺母M4 | NUT, FLANGE,4MM | 2 | 2 |
| 5 | 171530003-T153 | 阻风门手动拉杆 | PUSN ROD, CHOKE | 1 | 1 |
| 6 | 380821943-T153 | 衬套 | BUSH | 2 | 2 |
| 7 | 180290016-T153 | 空滤器座体 | ELBOW,AIR CLEANER | 1 | 1 |
| 8 | 180300001-T153 | 空滤器座体2 | ELBOW,AIR CLEANER2 | 1 | 1 |
| 9 | 380310136-0001 | 十字槽盘头自攻螺钉 | SCREW, CROSS RECESSED HEXAGON | 2 | 2 |
| 10 | 271460056-T251 | 风门手柄 | CHOKE LEVER | 1 | 1 |
| 11 | 380370048-0003 | 六角法兰面螺母M6 | NUT, FLANGE,6MM | 2 | 2 |
| | | | | | |
| | | | | | |
| | | | | | |



燃油箱 (FUEL TANK)

| 序号 No. | 零部件图号 Part No. | 零部件名称 | Description | 数量 (Reqd. QTY) | |
|-----------|-------------------|--------------|-------------------------|----------------|------------|
| | | | | LC165F(D)S | LC170F(D)S |
| 1 | 380200071-0002 | 十字槽盘头螺钉M4×18 | SCREW ,M4×18 | 1 | 1 |
| 2 | 173260001-T55G | 油开关旋钮 | KNOB FUEL SWITCH | 1 | 1 |
| 3 | 170980081-T251 | 油开关部件 | FUEL SWITCH | 1 | 1 |
| 4 | 380370048-0001 | 六角法兰面螺母 M6 | NUT, FLANGE,M6 | 1 | 1 |
| 5 | 380960121-0001 | 卡箍组合 | CLIP , TUBE | 2 | 2 |
| 6 | 380750457-T153 | 油管 | TUBE , FUEL | 1 | 1 |
| 7 | 170660077-T040 | 出油嘴组合 | JOINT ASSY. , FUEL TANK | 1 | 1 |
| 8 | 172840008-T153 | 油箱安装支架 | HOLDER,FUEL TANK | 1 | 1 |
| 9 | 172840009-T153 | 油箱安装支架 | HOLDER,FUEL TANK | 1 | 1 |
| 10 | 380140215-0003 | 六角法兰面螺栓M6×14 | BOLT , FLANGE , 6×14 | 4 | 4 |
| 11 | 170490695-T153 | 油箱部件 | TANK COMP ., FUEL | 1 | 1 |
| 12 | 380140001-0005 | 六角法兰面螺栓M6×12 | BOLT , FLANGE , 6×12 | 4 | 4 |
| 13 | 170870074-T153 | 油箱盖 | CAP COOMP.,FUEL FILLER | 1 | 1 |
| 14 | 380370048-0001 | 六角法兰面螺母 M6 | NUT, FLANGE,6MM | 2 | 2 |
| 15 | 343210007-T153 | 油箱装饰罩 | REAR SOVER TANK | 1 | 1 |



隆鑫通用动力股份有限公司

Loncin motor co., Ltd.

详细地址：重庆市九龙坡区九龙工业园区华龙大道99号

Add:No.99Hualong Road, Jiulongpo District, Chongqing, China

Tel:86 23 8980 5678/86 23 8980 8505

Fax:86 23 8906 7566

Email:service@loncinengine.com

Website:www.loncinengine.com

PRINTED IN CHINA