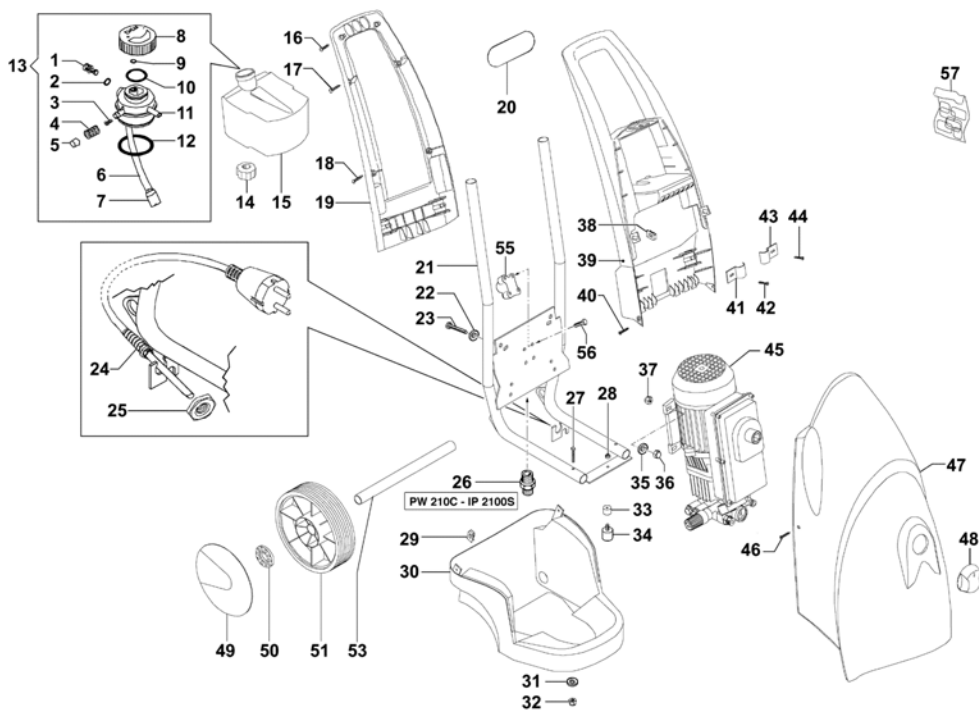


# IP 1900 - Chassy



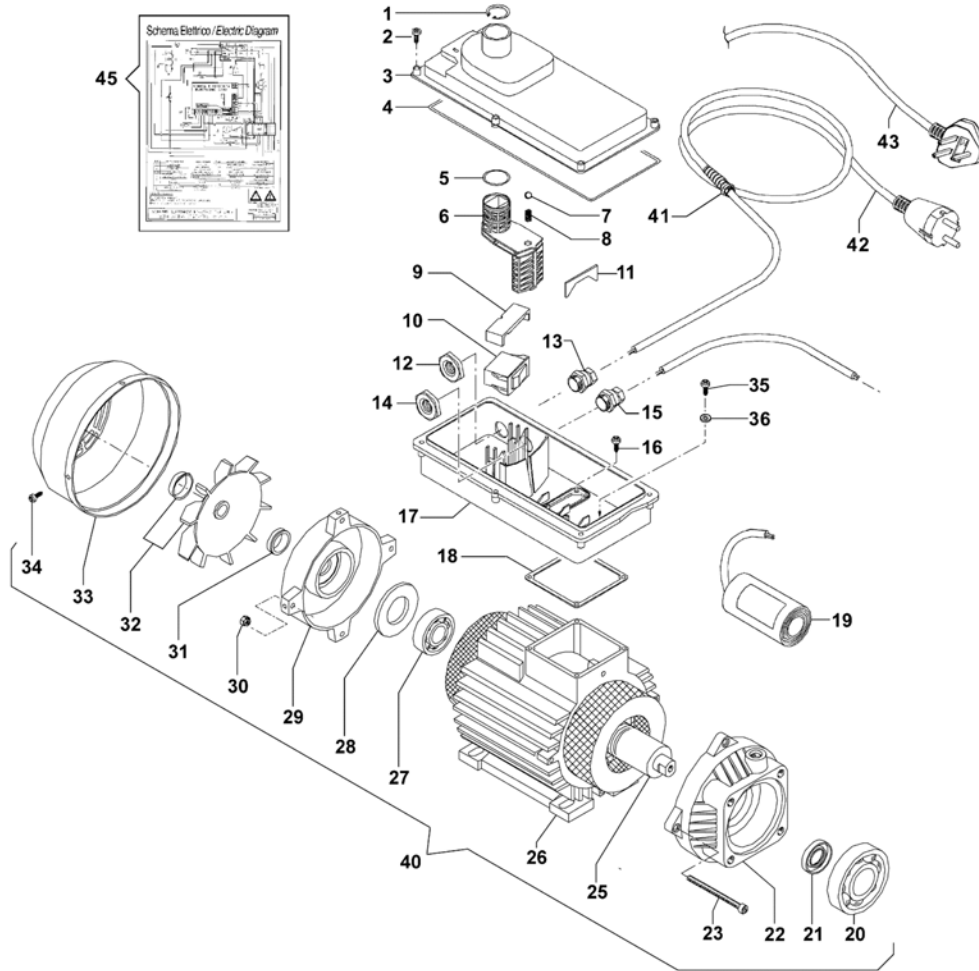
## IP 1900 - Chassy



Ref.Nu	Qty	Part number	Description	Validity from	Validity till	Notes	Bulletin
1	1	CH32020261	Cap				
2	1	CH12100417	O-ring				
3	1	CH36000101	Valve				
4	1	CH18020209	Spring				
5	1	CH32000081	Cap				
6	1	CH32080828	Hose				
7	1	CH10020109	Filter				
8	1	CH18170061	Cap				
9	1	CH12100014	O-ring				
10	1	CH12100203	O-ring				
11	1	CH32000079	Cap				
12	1	CH12100200	O-ring				
13	1	CH33120007	Cap				
14	1	CH12270037	Ring nut				
15	1	CH30290016	Tank				
16	2	CH36230028	Screw				
17	2	CH36230029	Screw				
18	2	CH36230029	Screw				
19	1	CH14110027	Handle				
20	1	CH12100216	O-ring				
21	1	CH32060284	Frame				
22	4	CH28110016	Washer				
23	4	CH36070018	Screw				
24	1	CH24340027	Holder				
25	1	CH12270028	Ring nut				
26	1	CH20000007	Nipple				
27	2	CH36230017	Screw				
28	1	CH06040011	Nut				
29	2	CH24030087	Plate				
30	1	CH04790104	Cover kit				
31	2	CH28110092	Washer				
32	2	CH06040046	Nut				
33	1	CH06010225	Spacer				
34	1	CH30020567	Support				
35	4	CH28110016	Washer				
36	4	CH06040039	Nut				
37	4	CH06000063	Nut				
38	3	CH24030085	Plate				
39	1	CH04790102	Cover				
40	2	CH36230021	Screw				
41	2	CH30020554	Support				
42	2	CH36230021	Screw				
43	2	CH30020556	Support				
44	2	CH36230021	Screw				

Ref.Nu	Qty	Part number	Description	Validity from	Validity till	Notes	Bulletin
45	1	CH73010407	Motorpump				
46	3	CH36200003	Screw				
47	1	CH04790107	Cover				
48	1	CH18170062	Knob				
49	2	CH04020293	Wheel cover				
50	2	CH00090260	Ring				
51	2	CH28100049	Wheel				
53	1	CH00170011	Wheel axle				
55	1	CH28033382	Support				
56	4	CH36070015	Screw				
57	1	CH3215593500	Labels set				

# IP 1900 - Motor

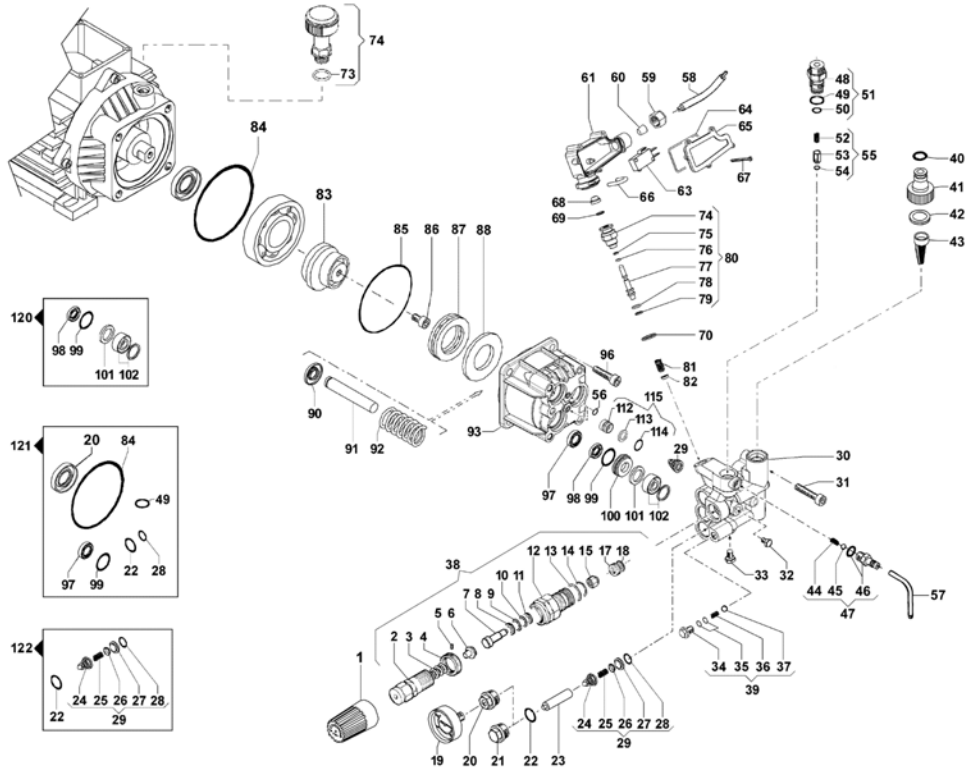


## IP 1900 - Motor



Ref.Nu	Qty	Part number	Description	Validity from	Validity till	Notes	Bulletin
1	1	CH00090263	Ring				
2	6	CH36050096	Screw				
3	1	CH04020245	Cover				
4	1	CH12010143	Gasket				
5	1	CH12100394	O-ring				
6	1	CH16000079	Lever				
7	1	CH30030007	Ball				
8	1	CH18020195	Spring				
9	1	CH04180044	Clamp				
10	1	CH14100084	Switch				
11	1	CH06010292	Spacer				
12	1	CH12270028	Ring nut				
13	1	CH24340027	Holder				
14	1	CH12270028	Ring nut				
15	1	CH24340036	Grommet				
16	4	CH36250046	Screw				
17	1	CH30010573	Electrical box				
18	1	CH12010127	Gasket				
19	1	CH04340045	Condenser				
20	1	CH04380098	Bearing				
21	1	CH00190036	Seal ring				
22	1	CH30020611	Flange				
23	4	CH36090208	Screw				
25	1	CH00010551	Rotor shaft				
26	1	CH30410225	Stator kit				
27	1	CH04380083	Bearing				
28	1	CH00090327	Ring				
29	1	CH10090244	Flange				
30	4	CH06040046	Nut				
31	1	CH12410051	Gasket				
32	1	CH36320072	Motor fan kit				
33	1	CH04020310	Hood, fan cover				
34	4	CH36250052	Screw				
35	1	CH36250042	Screw				
36	1	CH28190007	Washer				
40	1	CH18310498	Motor				
41	1	CH24340036	Grommet				
42	1	CH04560260	Cable				
43	1	CH04560268	Electrical cable				
45	1	CH16100787	Electric diagram (drawing)				

# IP 1900 - Motorpump



## IP 1900 - Motorpump



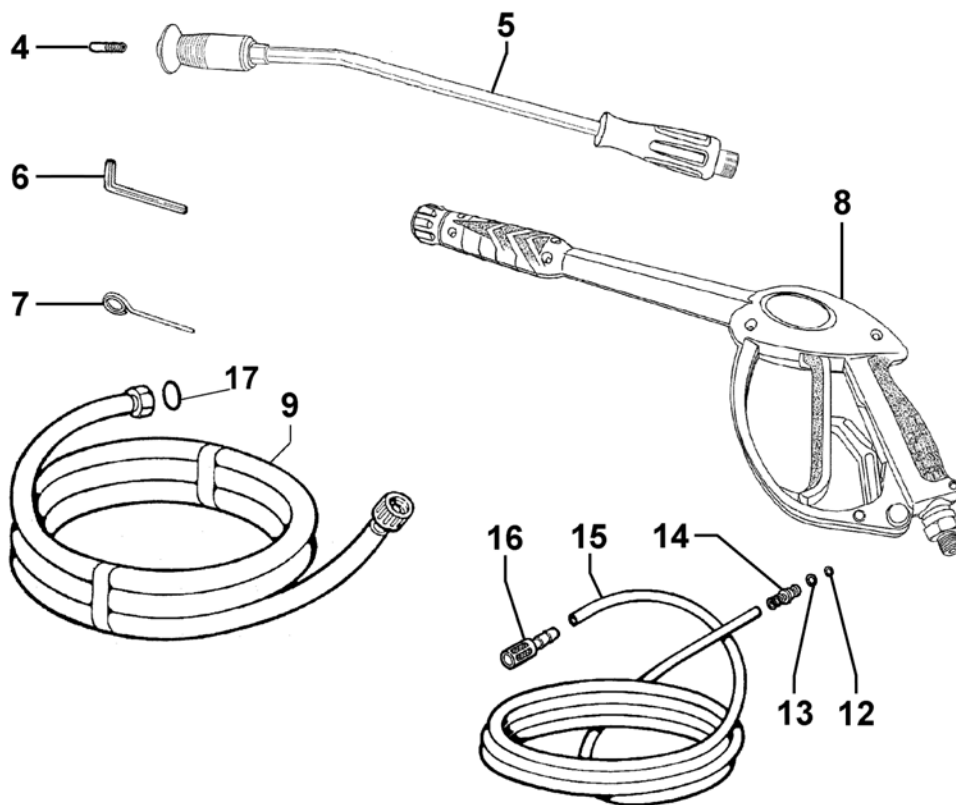
Ref.Nu	Qty	Part number	Description	Validity from	Validity till	Notes	Bulletin
1	1	CH18170064	Knob				
2	1	CH02040073	Bushing				
3	1	CH18020281	Spring				
4	1	CH12270051	Ring nut				
5	1	CH36220049	Screw				
6	1	CH00090367	Spacer				
7	1	CH24090148	Rod				
8	1	CH00090365	Ring				
9	1	CH12100613	Gasket				
10	1	CH12100614	Gasket				
11	1	CH00090366	Ring				
12	1	CH02040071	Bushing				
13	1	CH12100615	Gasket				
14	1	CH12100616	Gasket				
15	1	CH30020673	Support				
17	1	CH30090164	Valve case				
18	1	CH12100603	Gasket				
19	1	CH18160125	Pressure gauge				
20	1	CH32020318	Cap				
21	3	CH32020236	Cap				
22	6	CH12100151	O-ring				
23	2	CH06010272	Spacer				
24	6	CH12050037	Thrust bearing				
25	6	CH18020227	Spring				
26	6	CH36040028	Valve				
27	6	CH30090170	Valve case				
28	6	CH12100049	O-ring				
29	6	CH12200058	Reed valve kit				
30	1	CH32180377	Compl. top cover				
31	4	CH36090097	Screw				
32	1	CH32020018	Cap				
33	1	CH32020018	Cap				
34	1	CH32020319	Cap				
35	2	CH12100463	Gasket				
36	1	CH18020277	Spring				
37	1	CH30030033	Ball				
38	1	CH12150401	Regulation valve ass.y				
39	1	CH50330010	Cap				
40	1	CH12100057	O-ring				
41	1	CH28030524	Fitting				
42	1	CH12090111	Gasket				
43	1	CH10020132	Air filter				
44	1	CH18020180	Spring				

Ref.Nu	Qty	Part number	Description	Validity from	Validity till	Notes	Bulletin
45	1	CH30030026	Ball				
46	1	CH28030424	Fittings				
47	1	CH28030435	Fittings set				
48	1	CH34100353	Injector body				
49	1	CH12100049	O-ring				
50	1	CH12100040	O-ring				
51	1	CH34100352	Injector body kit				
52	1	CH18020197	Spring				
53	1	CH24090086	Piston				
54	1	CH12100460	O-ring				
55	1	CH24090091	Check valve kit				
56	2	CH12100146	O-ring				
57	1	CH32080829	Hose				
58	1	CH04560326	Cable total stop				
59	1	CH12000056	Ring nut				
60	1	CH12010137	Gasket				
61	1	CH30010538	Half case				
63	1	CH18250013	Switch				
64	1	CH12010136	O-ring				
65	1	CH04020200	Cover				
66	1	CH12020066	Hook				
67	5	CH36250048	Screw				
68	1	CH24160112	Guard				
69	1	CH00090229	Ring				
70	1	CH28110127	Washer				
73	1	CH12100093	O-ring				
74	1	CH32000087	Cap				
74	1	CH36050117	Screw				
75	1	CH00090202	Ring				
76	1	CH12100146	O-ring				
77	1	CH00150200	Rod				
78	1	CH00090110	Ring				
79	1	CH12100055	O-ring				
80	1	CH01110004	Total-stop rod kit				
81	1	CH18020221	Spring				
82	1	CH28120081	Washer				
83	1	CH00010418	Eccentric shaft				
84	1	CH12100429	O-ring				
85	1	CH12100561	Gasket				
86	1	CH36090005	Screw				
87	1	CH04360031	Bearing				
88	1	CH28160088	Spacer				
90	3	CH00090267	Ring				
91	3	CH24090125	Piston				
92	3	CH18020276	Spring				
93	1	CH04030162	Pump crankcase				
96	4	CH36090005	Screw				
97	3	CH00190123	Seal ring				
98	3	CH12410057	Gasket				
99	3	CH12100071	Gasket				



Ref.Nu	Qty	Part number	Description	Validity from	Validity till	Notes	Bulletin
100	3	CH00090309	Ring				
101	3	CH00090262	Ring				
102	3	CH12410099	Gasket				
112	3	CH32020295	Cap				
113	3	CH00090224	Ring				
114	3	CH12100093	O-ring				
115	3	CH32020294	Cap				
120	1	CH50190682	Gasket set				
121	1	CH50190079	Gasket set				
122	1	CH50250014	Reed valve kit				

# IP 1900 - Accessories



## IP 1900 - Accessories



Ref.Nu	Qty	Part number	Description	Validity from	Validity till	Notes	Bulletin
4	1	CH34000343	Nozzle				
5	1	CH33010920	Lance				
6	1	CH04540037	Bushing				
7	1	CH04550013	Needle				
8	1	CH24100117	Spray gun kit				
9	1	CH32080740	H.p. hose				
12	1	CH12100469	Gasket				
13	1	CH12100014	O-ring				
14	1	CH28000101	Fitting				
15	1	CH32080829	Hose				
16	1	CH10020109	Filter				
17	1	CH12100218	O-ring				