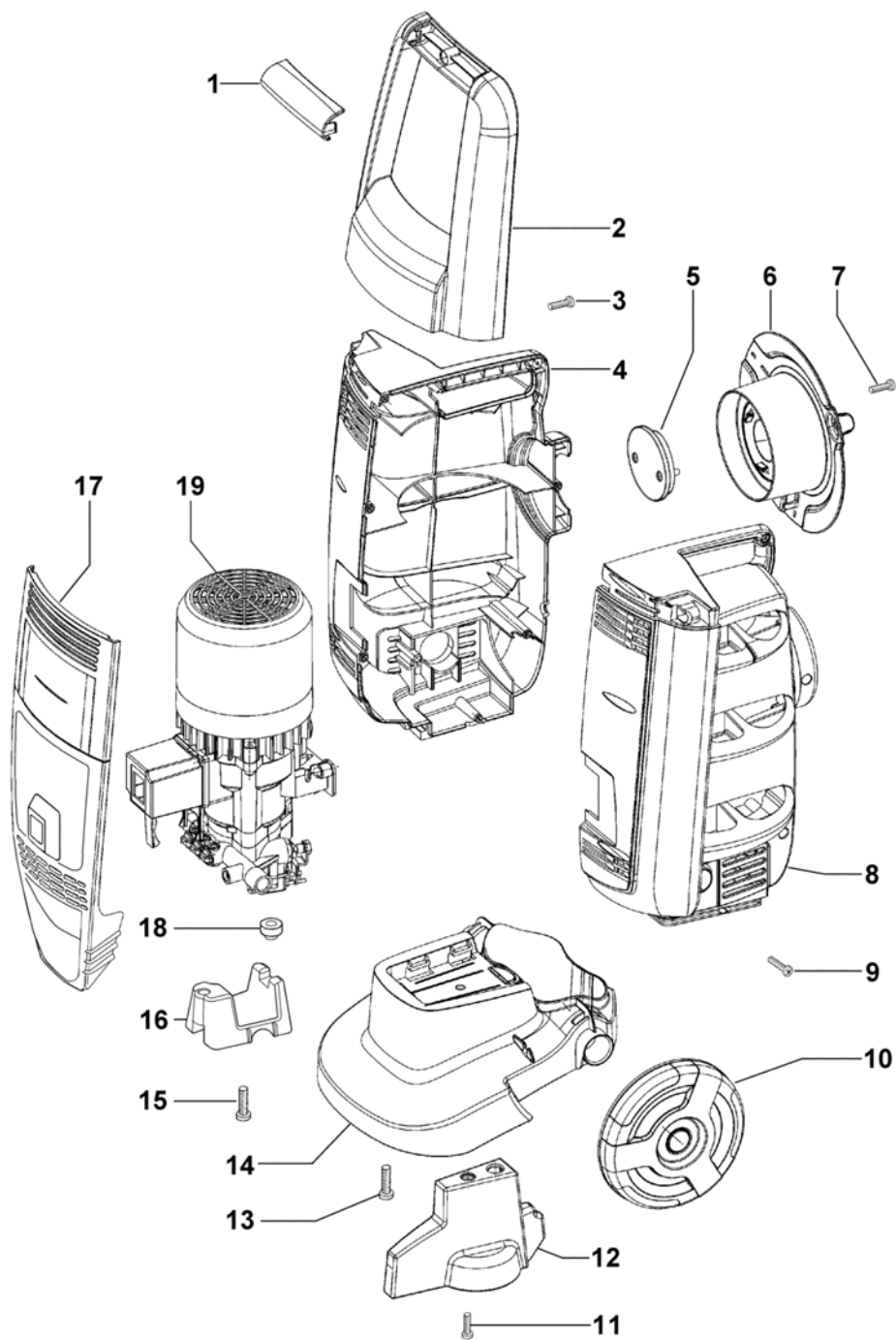


IP 1450 S - Deck

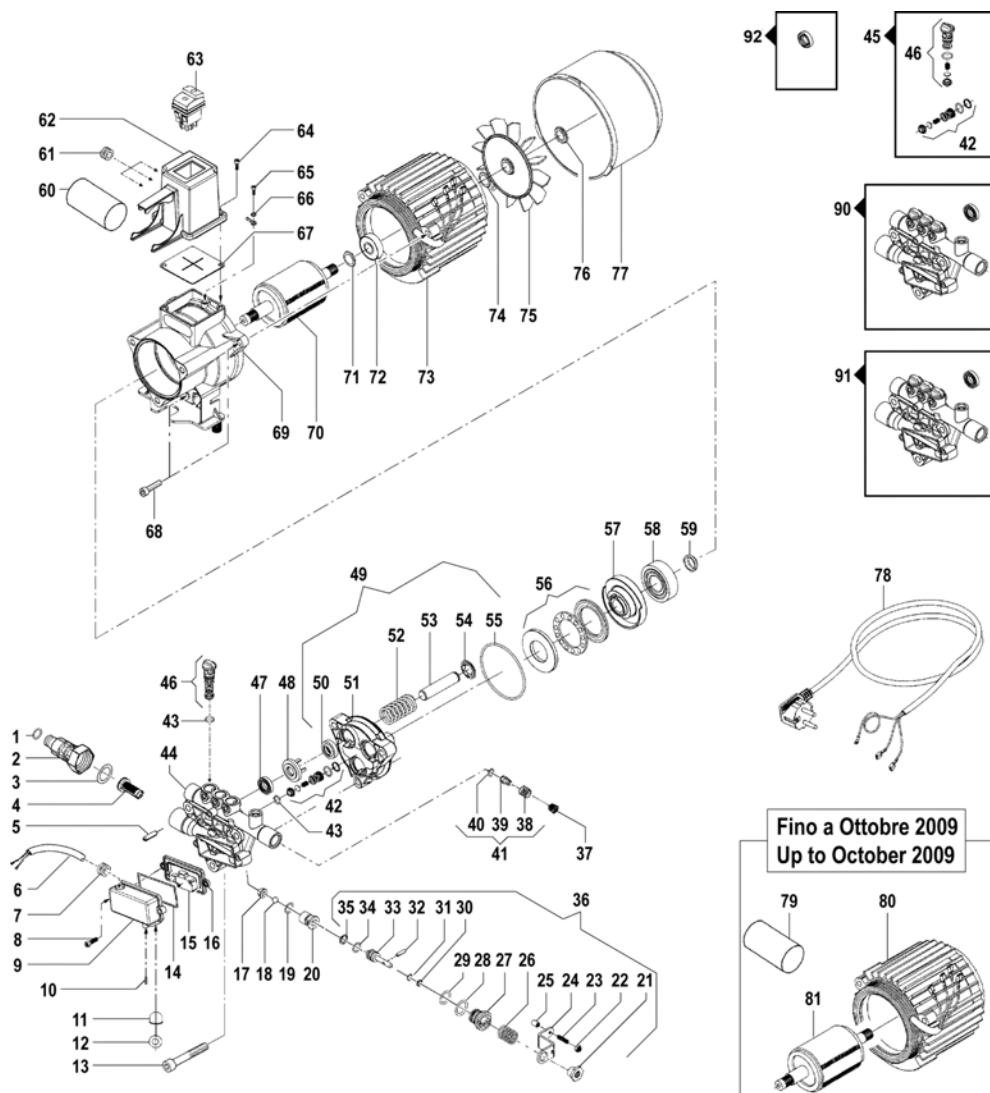


IP 1450 S - Deck



Ref.Nu	Qty	Part number	Description	Validity from	Validity till	Notes	Bulletin
1	1	CH04020311	Handle cover				
2	1	CH14110042	Handle				
3	2	CH36050114	Screw				
4	1	CH04770217	Cover left				
5	1	CH06020064	Hose reel kit				
6	1	CH06020060	Hose reel				
7	2	CH36050114	Screw				
8	1	CH04770218	Cover right				
9	7	CH36050114	Screw				
10	2	CH28100086	Wheel				
11	1	CH36050114	Screw				
12	1	CH30020608	Stand				
13	2	CH36050114	Screw				
14	1	CH32060311A	Frame				
15	1	CH36250071	Screw				
16	1	CH24000106	Support				
17	1	CH04770225	Cover				
18	1	CH06010331	Spacer				
19	1	CH73040414	Motorpump				

IP 1450 S - Motorpump



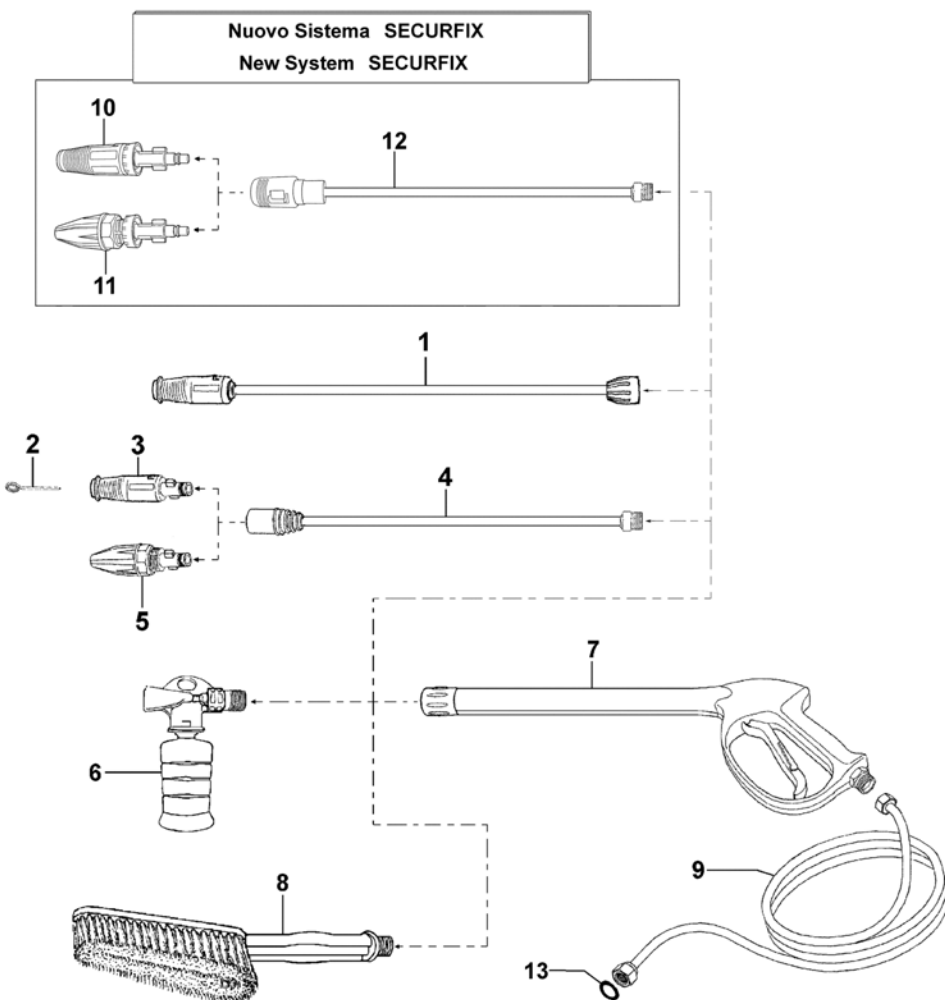
IP 1450 S - Motorpump



Ref.Nu	Qty	Part number	Description	Validity from	Validity till	Notes	Bulletin
1	1	CH12100057	O-ring				
2	1	CH28030524	Fitting				
3	1	CH12090111	Gasket				
4	1	CH10020132	Air filter				
5	3	CH30210032	Pin				
6	1	CH04560322	Cable				
7	1	CH24340048	Holder				
8	2	CH36090198	Screw				
9	1	CH04020276	Cover				
10	1	CH30050097	Pin				
11	1	CH24160112	Guard				
12	1	CH00090229	Ring				
13	3	CH36090191	Screw				
14	1	CH12100550	O-ring				
15	1	CH18250016	Switch				
16	1	CH04020290	Half case				
17	1	CH30090141	Seat				
18	1	CH30030035	Ball				
19	1	CH12100152	O-ring				
20	1	CH30090158	Seat				
21	1	CH32020241	Screw				
22	1	CH06040087	Nut				
23	1	CH36220047	Total stop adjustable nut				
24	1	CH16000093	Lever				
25	1	CH04320044	Cap				
26	1	CH18020249	Spring				
27	1	CH36050115	Screw				
28	1	CH12100390	O-ring				
29	1	CH12100049	O-ring				
30	1	CH00090110	Ring				
31	1	CH12100055	O-ring				
32	1	CH30210035	Pin				
33	1	CH00150194	Easy start kit				
34	1	CH12100041	O-ring				
35	1	CH00090112	Ring				
36	1	CH12150363	Valve				
37	1	CH32020280	Cap				
38	1	CH18020284	Spring				
39	1	CH36000087	Valve				
40	1	CH12100220	O-ring				
41	1	CH50270025	Reed valve kit				
42	3	CH12200068	Valve				
43	6	CH12100465	O-ring				

Ref.Nu	Qty	Part number	Description	Validity from	Validity till	Notes	Bulletin
44	1	CH32180392A	Top cover				
45	1	CH50250026	Valve				
46	3	CH12200069	Valve				
47	3	CH12410094	Gasket				
48	3	CH00090318	Ring				
49	1	CH24320026	Pump crankcase				
50	3	CH00190124	Seal ring				
51	1	CH24320025	Pump crankcase				
52	3	CH18020213	Spring				
53	3	CH24090127	Piston				
54	3	CH00090317	Ring				
55	1	CH12100620	O-ring				
56	1	CH04360032	Bearing				
57	1	CH00010629	Shaft				
58	1	CH04380091	Bearing				
59	1	CH00190118	Seal ring				
60	1	CH04340047	Condenser				
61	3	CH24340048	Holder				
62	1	CH30010530	Electrical box				
63	1	CH14100130	Switch				
64	2	CH36250046	Screw				
65	1	CH36250072	Screw				
66	1	CH28070013	Washer				
67	1	CH12010196	Oil seal				
68	3	CH36090114	Screw				
69	1	CH10090258B	Flange				
70	1	CH00010674	Crankshaft				
71	2	CH12100420	O-ring				
72	1	CH04380090	Bearing				
73	1	CH30410319A	Stator kit				
74	1	CH12410070	Ring				
75	1	CH36320083	Motor fan kit				
76	1	CH00090296	Ring				
77	1	CH04660029	Motor fan cover				
78	1	CH04560321	Cable uk				
78	1	CH04560318	Cable				
79	1	CH04340045	Condenser				
80	1	CH30410277	Stator kit				
81	1	CH00010590	Rotor shaft				
90		-	Not available for this product				
91	1	CH33000108	Top cover				
92	1	CH50190666	Gasket set				

IP 1450 S - Accessories



IP 1450 S - Accessories



Ref.Nu	Qty	Part number	Description	Validity from	Validity till	Notes	Bulletin
1	1	CH33010750	Lance				
2	1	CH04550013	Needle				
3	1	CH32170177	Nozzle				
4	1	CH33010918	Lance hose kit				
5	1	CH32170178	Nozzle				
6	1	CH33010748	Lance				
7	1	CH24100086	Spray gun kit				
8	1	68500003	Fixed brush				
9	1	CH33010758	Hose				
10	1	CH32170206	Head				
11	1	CH32170203	Head				
12	1	CH33011042	Lance hose kit				
13	1	CH12100218	O-ring				