



IPC Integrated Professional Cleaning

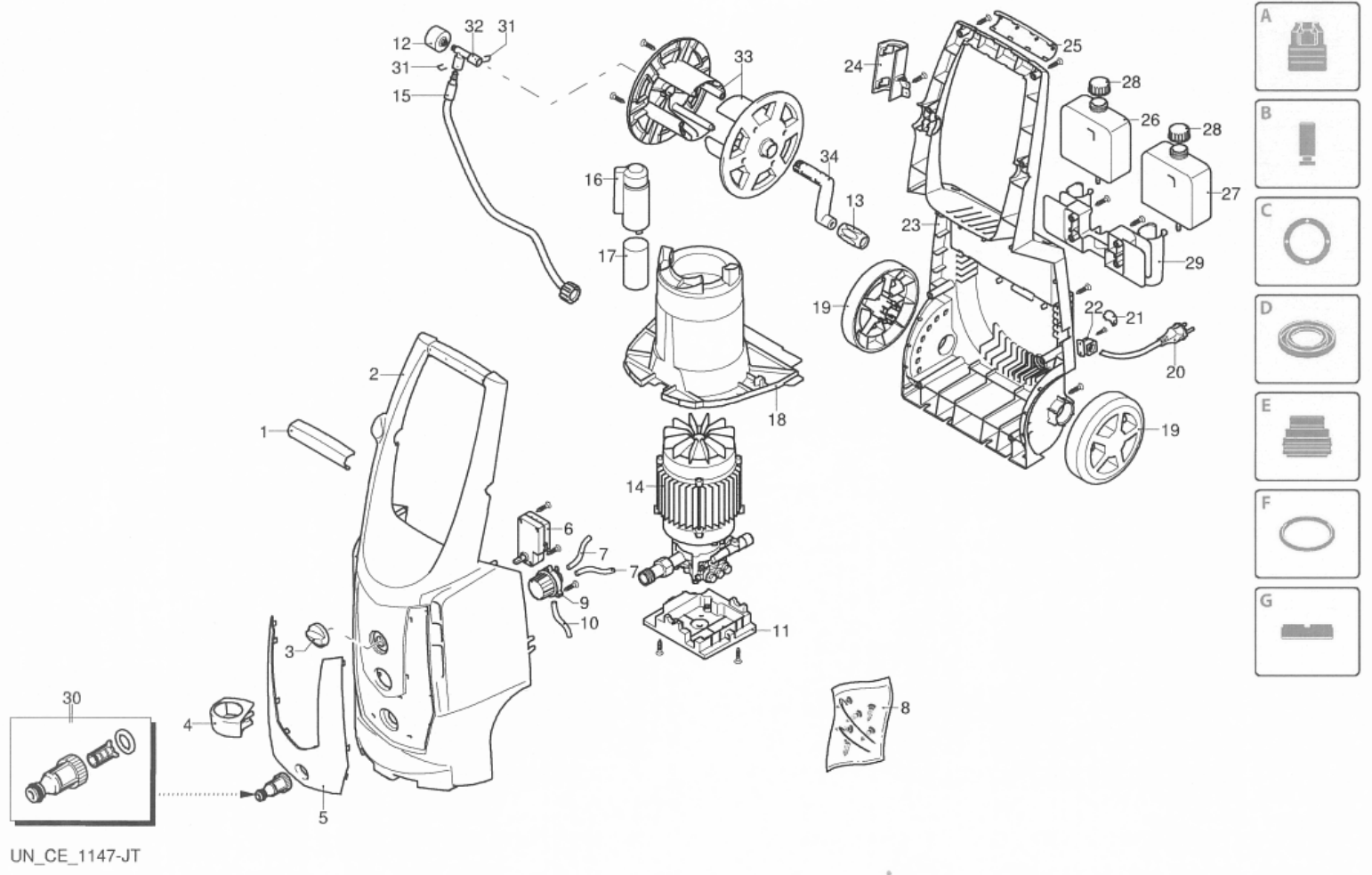
IPC Portotecnica

Spare Parts List

MEDIACOM

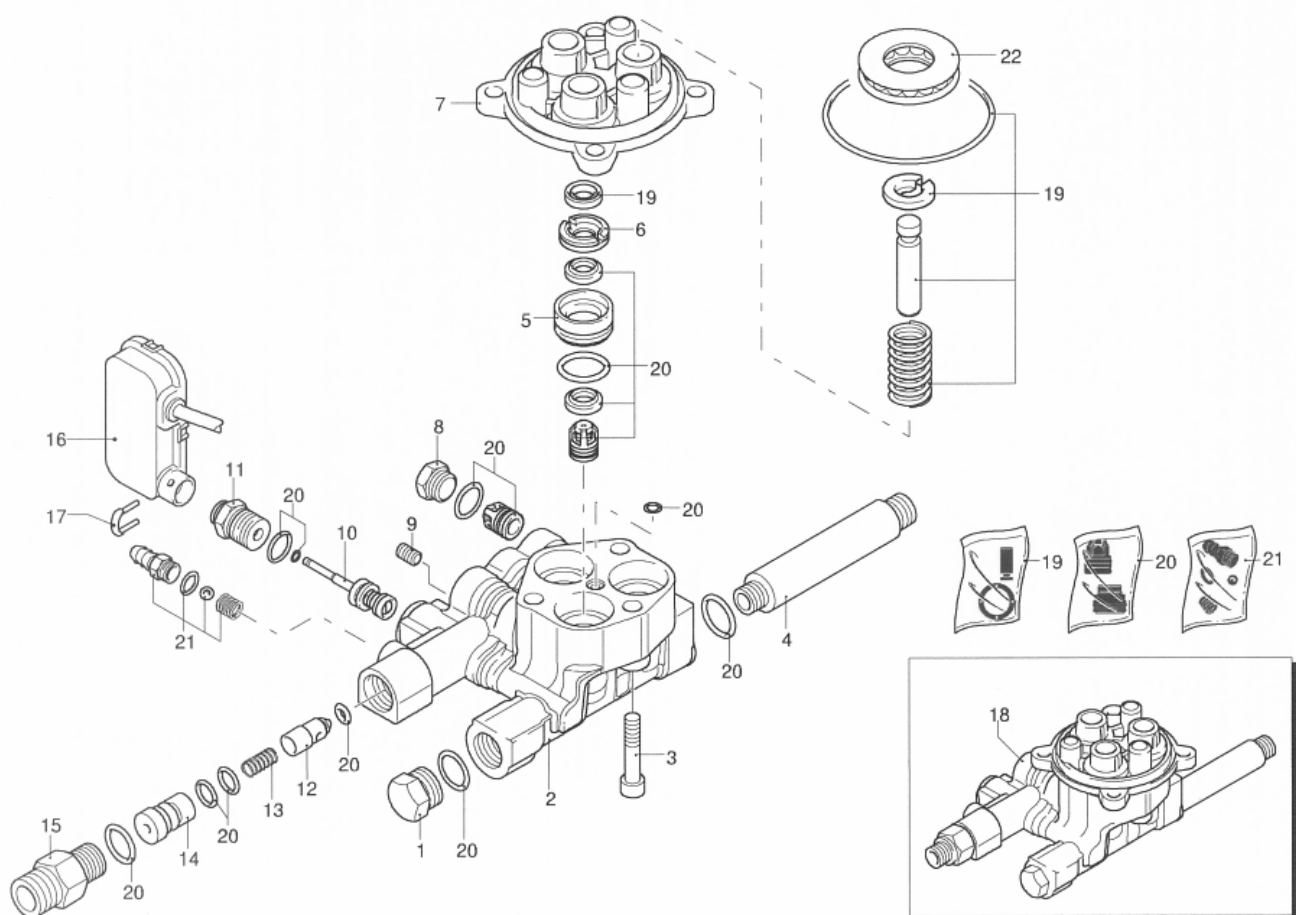
Ref: IDAF94243

Model: IDROP G155-C P I1508AO M 230/50 3-01PRT



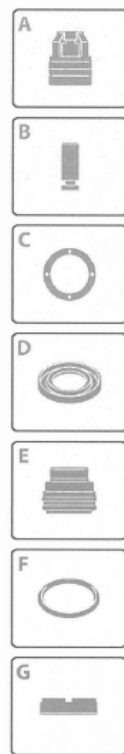
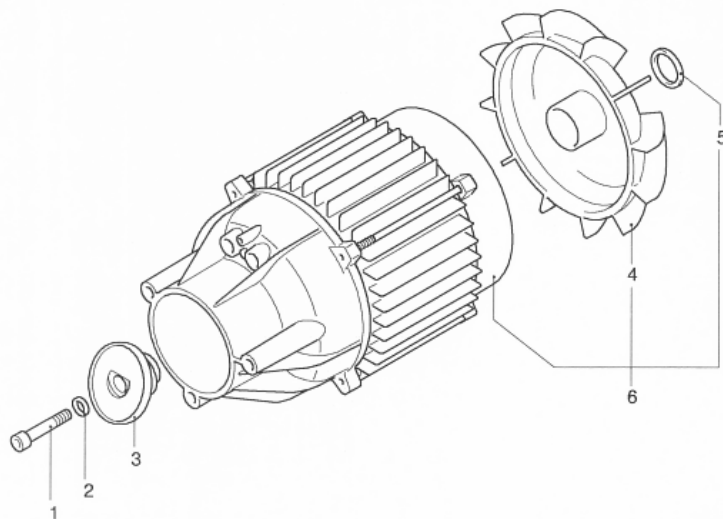
UN_CE_1147-JT

| Ref. | K | Part N. | Customer Part N. | Description | Qty | Validity: | | Price |
|------|---|-----------|------------------|-------------------------------|------|-----------|----|-------|
| | | | | | | From | To | |
| 0001 | | MPVR40463 | | HANDLE PW-C23 ANT.GR. | 1,00 | | | -- |
| 0002 | | MPVR40508 | | HOOD PW-C23 BK. | 1,00 | | | -- |
| 0003 | | MPVR40465 | | SWITCH KNOB PW-C23 | 1,00 | | | -- |
| 0004 | | MPVR40466 | | SUPPORT PW-C23 BK. | 1,00 | | | -- |
| 0005 | | MPVR40509 | | INSERT PW-C23 RD. | 1,00 | | | -- |
| 0006 | | MPVR40468 | | CONTROL BOX PW-C23 | 1,00 | | | -- |
| 0007 | | TBBP40061 | | L.P. HOSE D. 7-10 PW-C23 | 2,00 | | | -- |
| 0008 | | KTRI40222 | | KIT P 4- 14 SCREW PW-C23 | 1,00 | | | -- |
| 0009 | | RCGR40007 | | DETERGENT TAP PW-C23 2V. | 1,00 | | | -- |
| 0010 | | TBBP40062 | | L.P. HOSE D. 7-10 PW-C23/2 | 1,00 | | | -- |
| 0011 | | MPVR40469 | | SUPPORT E.PMP PW-C23 | 1,00 | | | -- |
| 0012 | | MNMN40010 | | PRESSURE GAUGE AR PW-C23 | 1,00 | | | -- |
| 0013 | | MPVR40514 | | HANDLE PW-C23 AVTB | 1,00 | | | -- |
| 0014 | | PPEL40043 | | GROUP PW-C23 2500W 230/50 2P. | 1,00 | | | -- |
| 0015 | | TBAP40109 | | HOSE AVV. PW-C23 | 1,00 | | | -- |
| 0016 | | MPVR40471 | | SUPPORT PW-C23 | 1,00 | | | -- |
| 0017 | | MECO40010 | | CAPACITOR 30 MF | 1,00 | | | -- |
| 0018 | | MPVR40472 | | CONVEYOR PW-C23 | 1,00 | | | -- |
| 0019 | | RTRT40028 | | WHEEL D.175 PW-C23 | 2,00 | | | -- |
| 0020 | | MECB40239 | | CABLE PVC 3X1.5 SCH. | 1,00 | | | -- |
| 0021 | | MPVR40473 | | CAP PW-C23 | 1,00 | | | -- |
| 0022 | | MPVR40454 | | CABLE CLAMP PW-C10 | 1,00 | | | -- |
| 0023 | | MPVR40475 | | FRAME PW-C23 BK | 1,00 | | | -- |
| 0025 | | MPVR40477 | | HANDLE PW-C23 PST.GR. | 1,00 | | | -- |
| 0026 | | MPVR40512 | | TANK PW-C23 DX | 1,00 | | | -- |
| 0027 | | MPVR40513 | | TANK PW-C23 SX | 1,00 | | | -- |
| 0028 | | MPVR40480 | | TANK CAP PW-C23 BK. | 2,00 | | | -- |
| 0029 | | MPVR40515 | | HANDLE PW-C23 | 1,00 | | | -- |
| 0030 | | RCVR40103 | | SOCKET C10 3/4 F +FILT. | 1,00 | | | -- |
| 0031 | | LAFN40542 | | PLUG "U" AVTB-C23 | 1,00 | | | -- |
| 0032 | | RCDS40146 | | CONNECTOR PW-C23 | 1,00 | | | -- |
| 0033 | | MPVR40484 | | DRUM PW-C23 | 1,00 | | | -- |
| 0034 | | MPVR40460 | | HANDLE PW-C10 | 1,00 | | | -- |



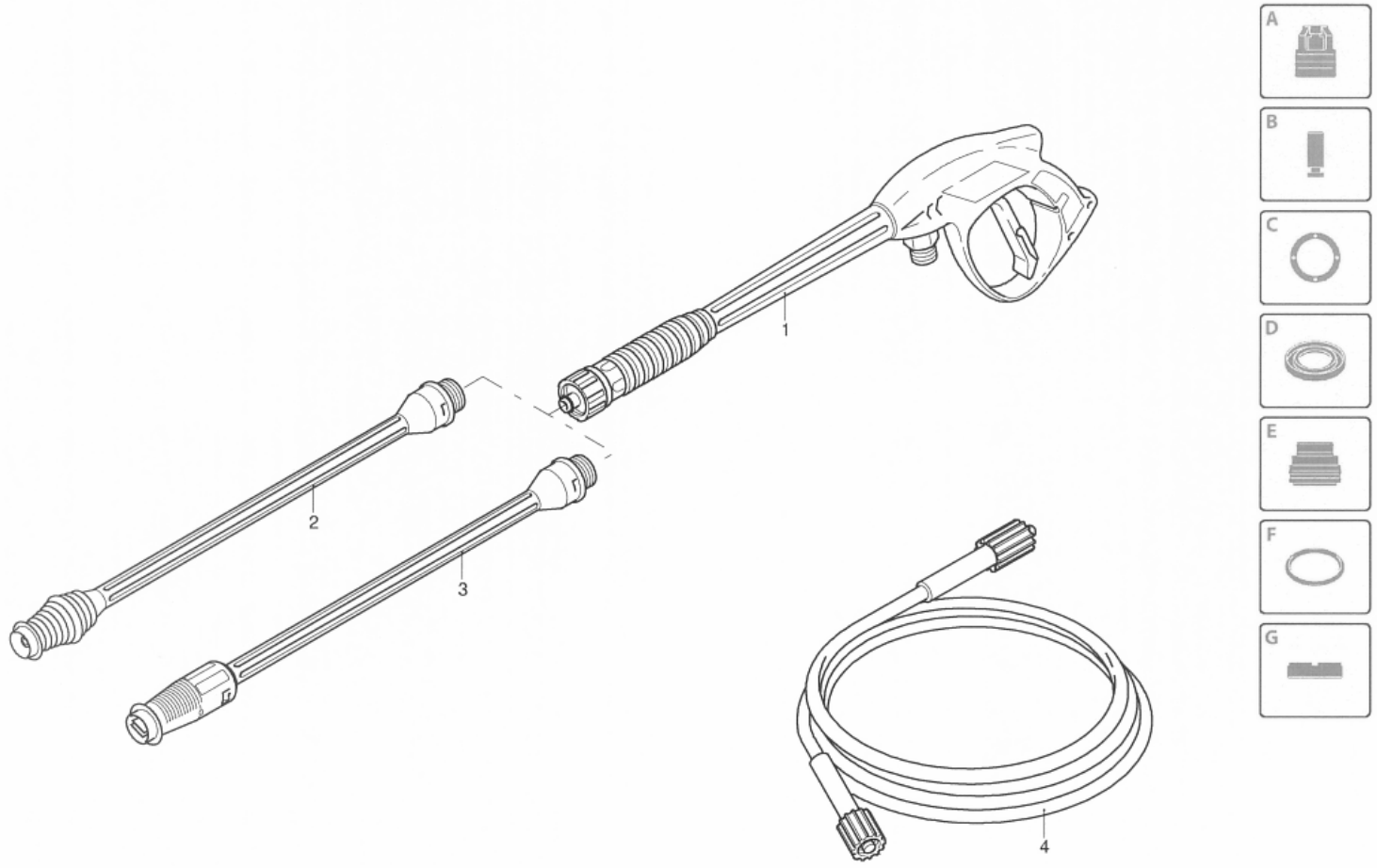
UN_CE_0571-NW

| Ref. | K | Part N. | Customer Part N. | Description | Qty | Validity: | | Price |
|------|---|-----------|------------------|--------------------------------|------|-----------|----|-------|
| | | | | | | From | To | |
| 0001 | | PVVR40099 | | CAP 3/8 M HRM | 1,00 | | | -- |
| 0002 | | MFVR40059 | | HEAD AR C23 OT | 1,00 | | | -- |
| 0003 | | VTVT28306 | | SCREW TCEI 8X45 UNI5931 | 3,00 | | | -- |
| 0004 | | RCDS40150 | | CONNECTOR G151 | 1,00 | | | -- |
| 0005 | | PVVR40088 | | PACKING RETAIN.D. 12 HRM | 3,00 | | | -- |
| 0006 | | PVVR40089 | | INTERMED. RING D. 12 HRM | 3,00 | | | -- |
| 0007 | | MFVR40058 | | PISTON GUIDE POMPA AR C23 | 1,00 | | | -- |
| 0008 | | PVVR40087 | | CAP AR HRM | 3,00 | | | -- |
| 0009 | | PVVR40358 | | SCREW SEDE SFERA AR | 1,00 | | | -- |
| 0010 | | KTRI40233 | | KIT P 15-511 PISTON+SPRING TST | 1,00 | | | -- |
| 0011 | | PVVR40097 | | PISTON GUIDE AR TSS | 1,00 | | | -- |
| 0012 | | PVVR40091 | | COUPLING AR HRM | 1,00 | | | -- |
| 0013 | | MLML32257 | | SPRING D. 6.5 X14 D.0.5 | 1,00 | | | -- |
| 0014 | | PVVR40359 | | INJECTOR G151 | 1,00 | | | -- |
| 0015 | | RCDS40151 | | CONNECTOR INJECTOR G151 | 1,00 | | | -- |
| 0016 | | MEPF40020 | | PRESSURE SWITCH AR TSS | 1,00 | | | -- |
| 0017 | | LAFN40212 | | PLUG "U" AR TSS | 1,00 | | | -- |
| 0018 | | PPAP40106 | | PUMP AR G155 PREM. | 1,00 | | | -- |
| 0019 | | KTRI40230 | | KIT P 15-42754 G151 | 1,00 | | | -- |
| 0020 | | KTRI40231 | | KIT P 15-42755 G151 | 1,00 | | | -- |
| 0021 | | KTRI40232 | | KIT P 15-42756 DET.SUC. G151 | 1,00 | | | -- |
| 0022 | | CUVR40019 | | BEARING AR | 1,00 | | | -- |



UN_CE_0468-EW

| Ref. K | Part N. | Customer Part N. | Description | Qty | Validity: | | Price |
|--------|-----------|------------------|----------------------------------|------|-----------|----|-------|
| | | | | | From | To | |
| 0001 | VTVT06237 | | SCREW TCEI 6X20 UNI5931 | 1,00 | | | -- |
| 0002 | VTRS40018 | | WASHER D. 6 X10 GROWER | 1,00 | | | -- |
| 0003 | PVVR40360 | | CAP G151 | 1,00 | | | -- |
| 0004 | VEVR40011 | | IMPELLER C23 | 1,00 | | | -- |
| 0005 | VTVR40046 | | RING C23 | 1,00 | | | -- |
| 0006 | MOMO40035 | | 1PH MOTOR ARC23 W 2500 230-50 AR | 1,00 | | | -- |



UN_CE_1146-JT

| Ref. | K | Part N. | Customer Part N. | Description | Qty | Validity: | | Price |
|------|---|-----------|------------------|---------------------------------|------|-----------|----|-------|
| | | | | | | From | To | |
| 0001 | | IPPR40012 | | GUN BIT +P270 +M22 M | 1,00 | | | -- |
| 0002 | | LCPR40080 | | LANCE R.POWER P 440 +M22 D.1.1B | 1,00 | | | -- |
| 0003 | | LCPR40076 | | LANCE M.REG P 440 +M22 D.1.03BK | 1,00 | | | -- |
| 0004 | | TBAP40108 | | H.P. HOSE SAE MT 12 1/4 -1IRV | 1,00 | | | -- |