



IPC Integrated Professional Cleaning

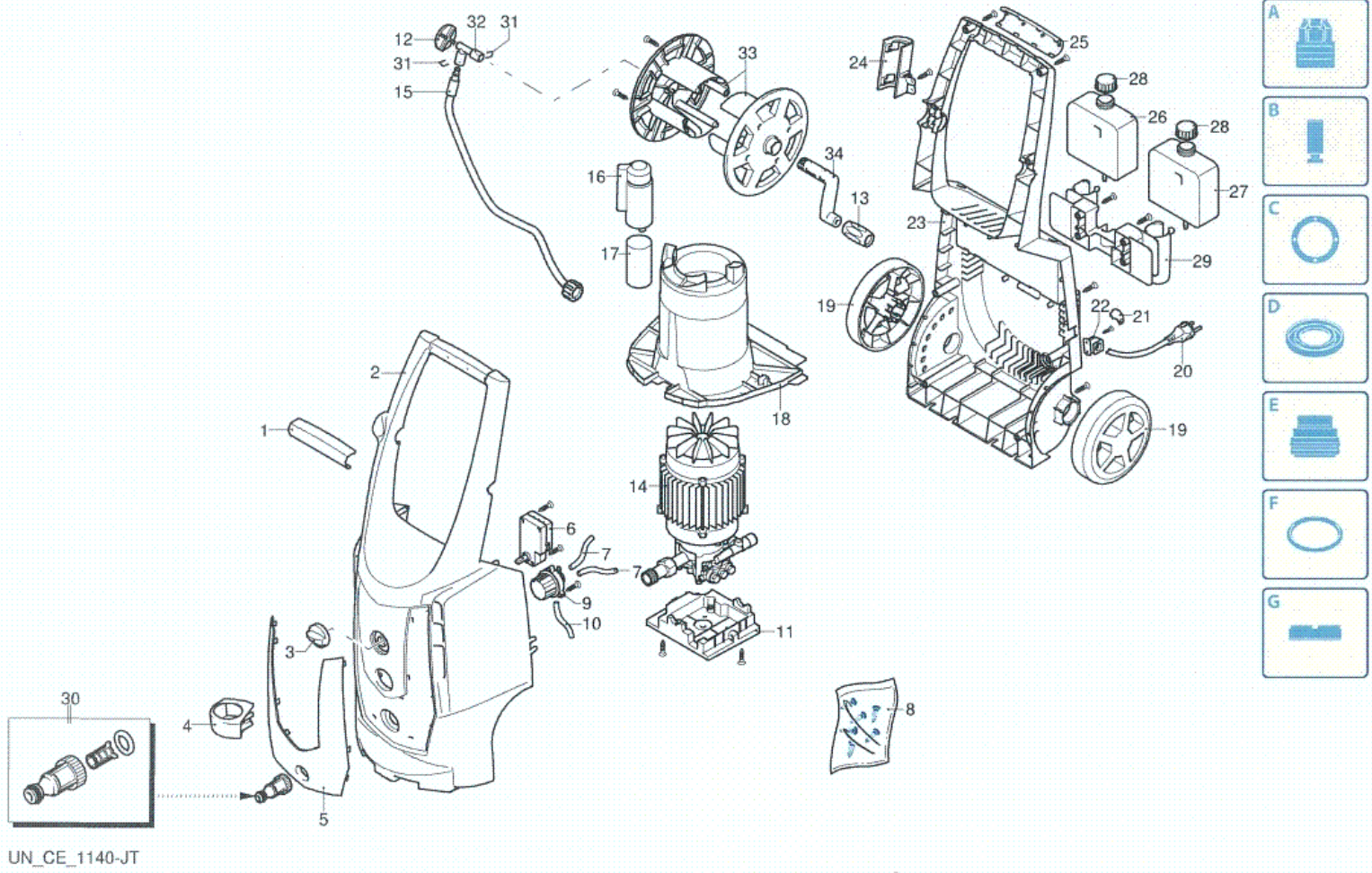
IPC Portotecnica

Spare Parts List

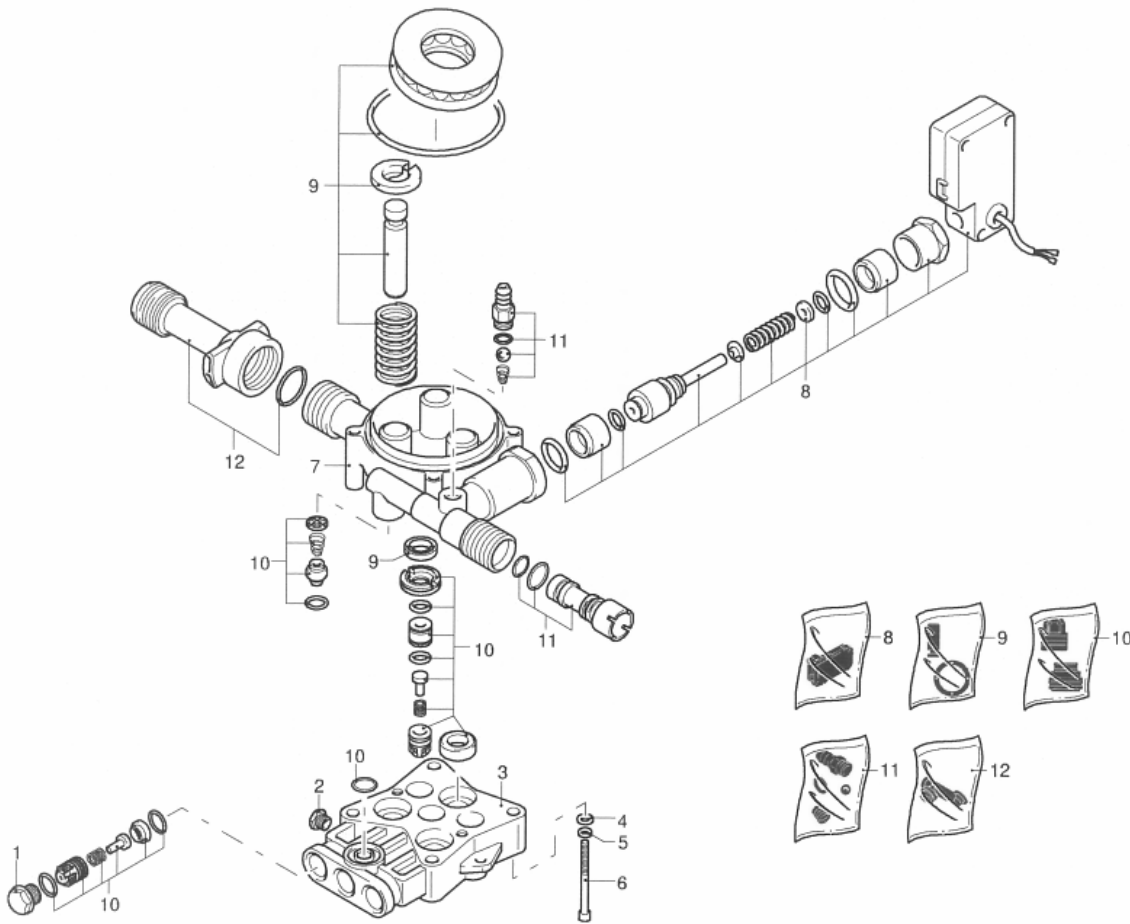
MEDIACOM

Ref: IDAF94237

Model: IDROP G145-C P I1408A M 230/50 3-01PRT

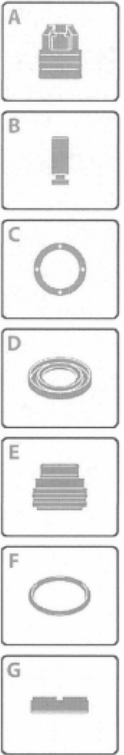
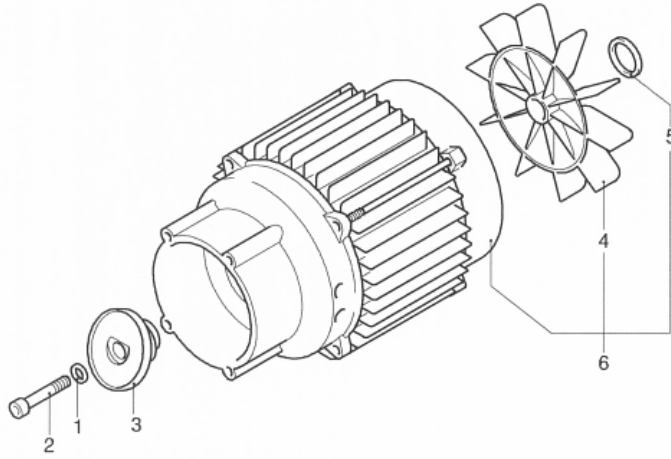


Ref. K	Part N.	Customer Part N.	Description	Qty	Validity:		Price
					From	To	
0001	MPVR40463		HANDLE PW-C23 ANT.GR.	1,00			--
0002	MPVR40508		HOOD PW-C23 BK.	1,00			--
0003	MPVR40465		SWITCH KNOB PW-C23	1,00			--
0004	MPVR40466		SUPPORT PW-C23 BK.	1,00			--
0005	MPVR40509		INSERT PW-C23 RD.	1,00			--
0006	MPVR40468		CONTROL BOX PW-C23	1,00			--
0007	TBBP40061		L.P. HOSE D. 7-10 PW-C23	2,00			--
0008	KTRI40222		KIT P 4- 14 SCREW PW-C23	1,00			--
0009	RCGR40007		DETERGENT TAP PW-C23 2V.	1,00			--
0010	TBBP40062		L.P. HOSE D. 7-10 PW-C23/2	1,00			--
0011	MPVR40469		SUPPORT E.PMP PW-C23	1,00			--
0012	MPVR40482		CAP PW-C23 A.TB.	1,00			--
0013	MPVR40514		HANDLE PW-C23 AVTB	1,00			--
0014	PPEL40036		GROUP PW-C23 2300W 230/50 2P.	1,00			--
0015	TBAP40109		HOSE AVV. PW-C23	1,00			--
0016	MPVR40471		SUPPORT PW-C23	1,00			--
0017	MECO40010		CAPACITOR 30 MF	1,00			--
0018	MPVR40472		CONVEYOR PW-C23	1,00			--
0019	RTRT40028		WHEEL D.175 PW-C23	2,00			--
0020	MECB40239		CABLE PVC 3X1.5 SCH.	1,00			--
0021	MPVR40473		CAP PW-C23	1,00			--
0022	MPVR40454		CABLE CLAMP PW-C10	1,00			--
0023	MPVR40475		FRAME PW-C23 BK	1,00			--
0024	MPVR40476		SUPPORT PW-C23 SUP.BK.	1,00			--
0025	MPVR40477		HANDLE PW-C23 PST.GR.	1,00			--
0026	MPVR40512		TANK PW-C23 DX	1,00			--
0027	MPVR40513		TANK PW-C23 SX	1,00			--
0028	MPVR40480		TANK CAP PW-C23 BK.	2,00			--
0029	MPVR40515		HANDLE PW-C23	1,00			--
0030	RCVR40103		SOCKET C10 3/4 F +FILT.	1,00			--
0031	LAFN40542		PLUG "U" AVTB-C23	1,00			--
0032	RCDS40146		CONNECTOR PW-C23	1,00			--
0033	MPVR40484		DRUM PW-C23	1,00			--
0034	MPVR40460		HANDLE PW-C10	1,00			--



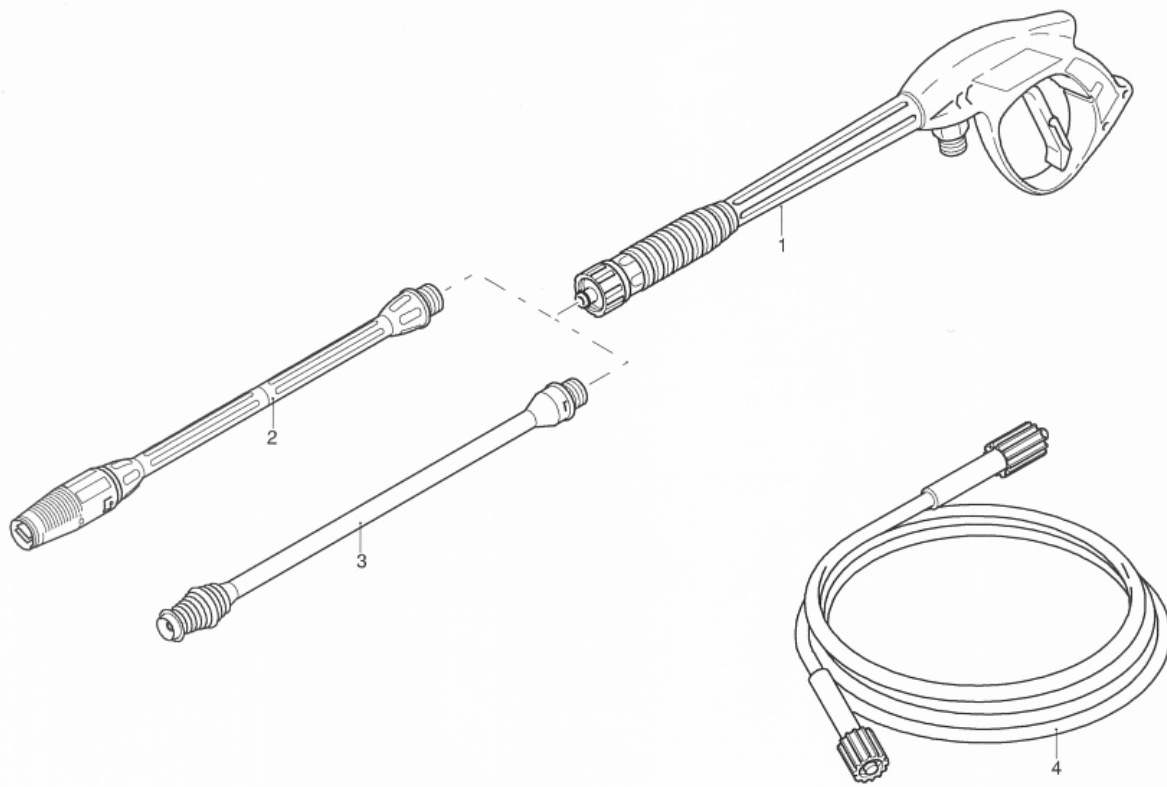
UN_CE_0537-HW

Ref.	K	Part N.	Customer Part N.	Description	Qty	Validity:		Price
						From	To	
0001		PVVR40354		CAP C23	3,00			--
0002		PVVR40355		SCREW M 6X 8 TCB-C	1,00			--
0003		MFVR40055		HEAD AR C23 AL.	1,00			--
0004		VTRS00503		WASHER D. 6 TE UNI 6798	4,00			--
0005		VTRS40018		WASHER D. 6 X10 GROWER	4,00			--
0006		VTVT63032		SCREW TCEI M 6X70 ZN	4,00			--
0007		MFVR40056		PUMP CRANKCASE AR C23	1,00			--
0008		KTRI40223		KIT P 10- 6 TSS C23	1,00			--
0009		KTRI40224		KIT P 15-42746 C23	1,00			--
0010		KTRI40221		KIT P 15-42743 C10	1,00			--
0011		KTRI40225		KIT P 15-42747 DET.SUC. C23	1,00			--
0012		KTRI40227		KIT P 15-42753 CONN. G145	1,00			--



UN_CE_0591-MV

Ref. K	Part N.	Customer Part N.	Description	Qty	Validity:		Price
					From	To	
0001	VTRS40018		WASHER D. 6 X10 GROWER	1,00			--
0002	VTVT06237		SCREW TCEI 6X20 UNI5931	1,00			--
0003	PVVR40357		CAP G145	1,00			--
0004	VEVR40011		IMPELLER C23	1,00			--
0005	VTVR40046		RING C23	1,00			--
0006	MOMO40032		1PH MOTOR ARC23 W 2300 230-50 AR	1,00			--



UN_CE_1139-JT

Ref. K	Part N.	Customer Part N.	Description	Qty	Validity:		Price
					From	To	
0001	IPPR40012		GUN BIT +P270 +M22 M	1,00			--
0002	LCPR40075		LANCE M.REG P 440 +M22 D.	1,00			--
0003	LCPR40078		LANCE R.POWER P 440 +M22 D.1.2B	1,00			--
0004	TBAP40108		H.P. HOSE SAE MT 12 1/4 -1IRV	1,00			--