

IPC Integrated Professional Cleaning

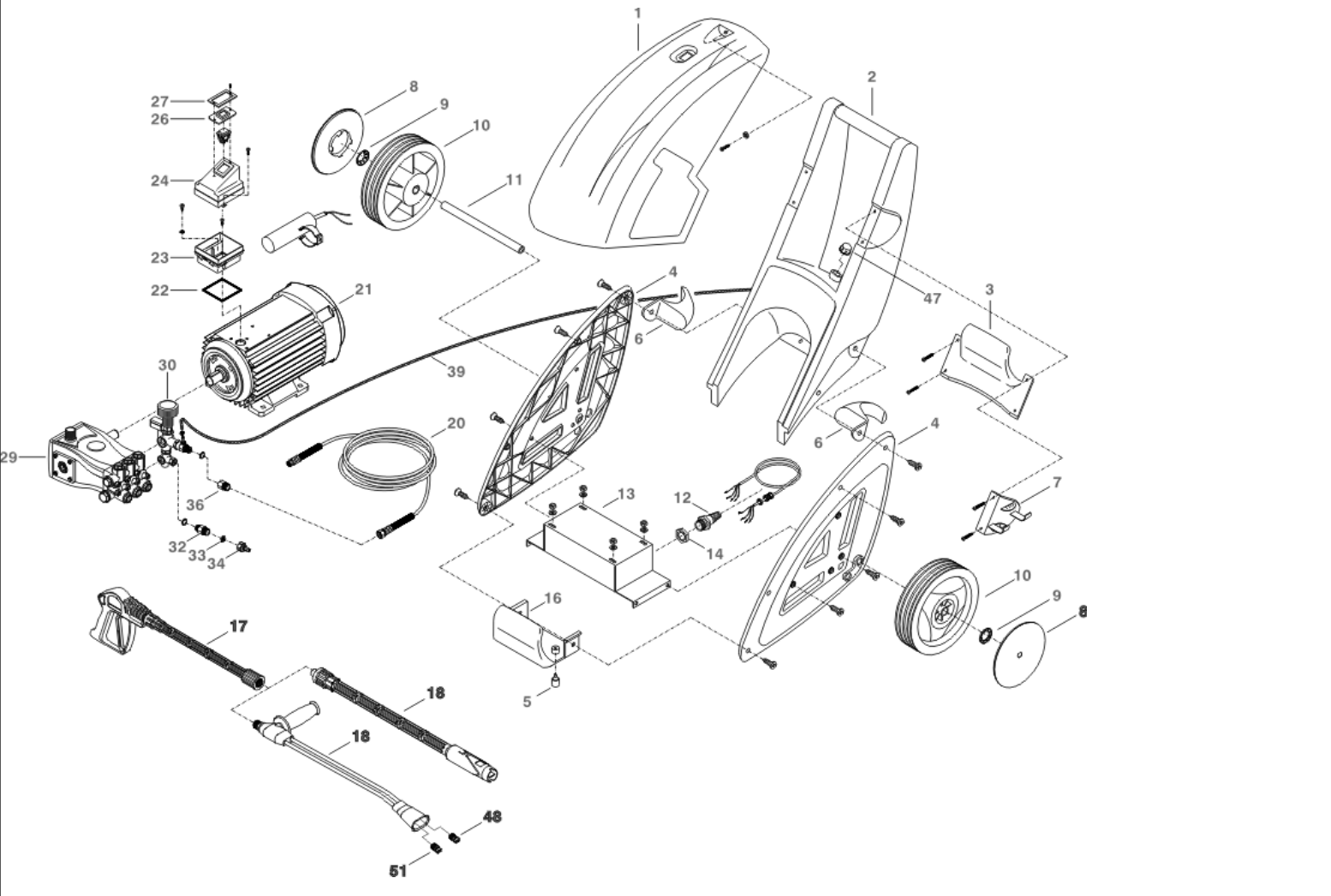
IPC Portotecnica

Spare Parts List

YURKENS TRADING LTD.

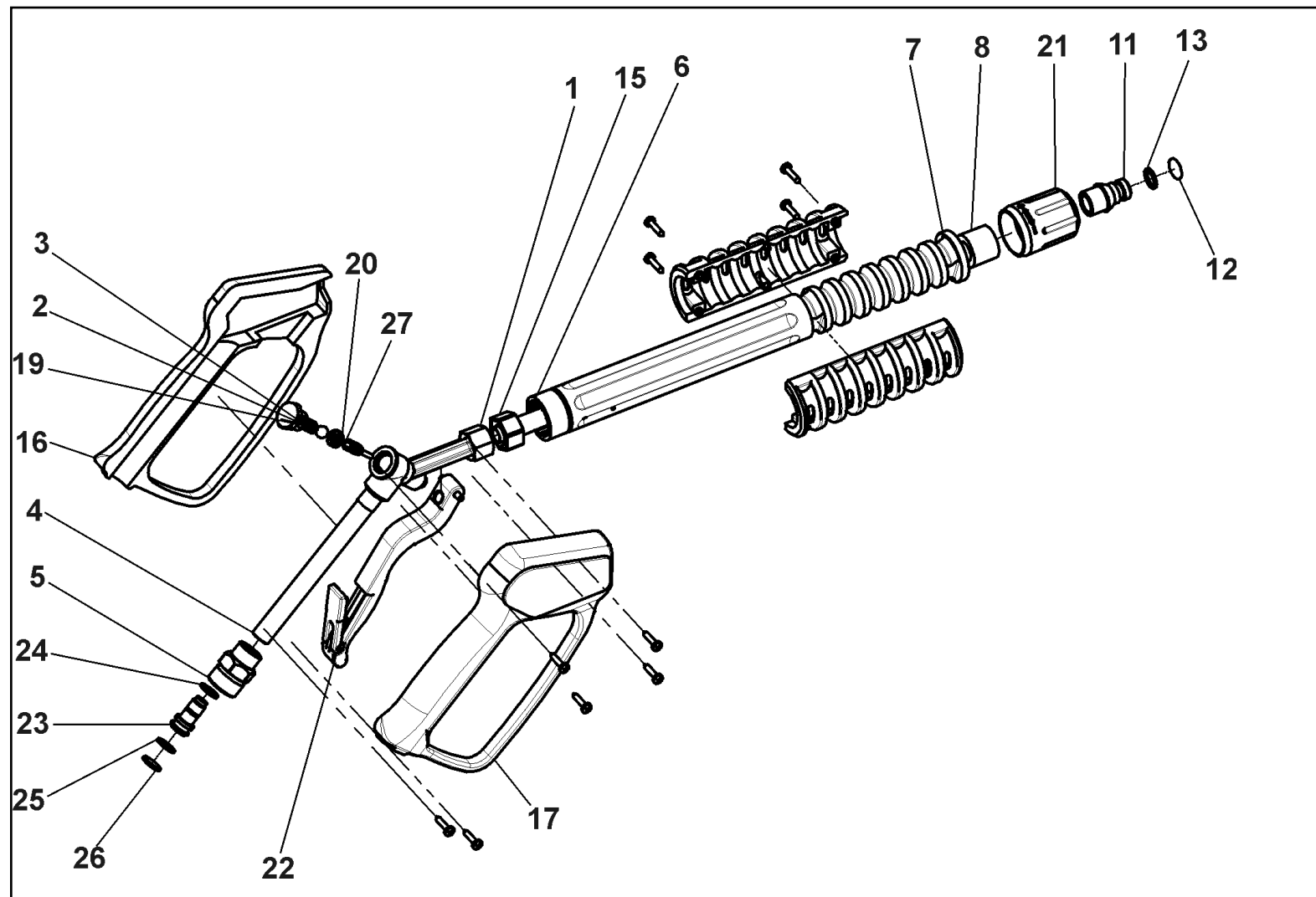
Ref: IDAF40169

Model: IDROP FTP 2840 T 40-415/50 3-01PRT

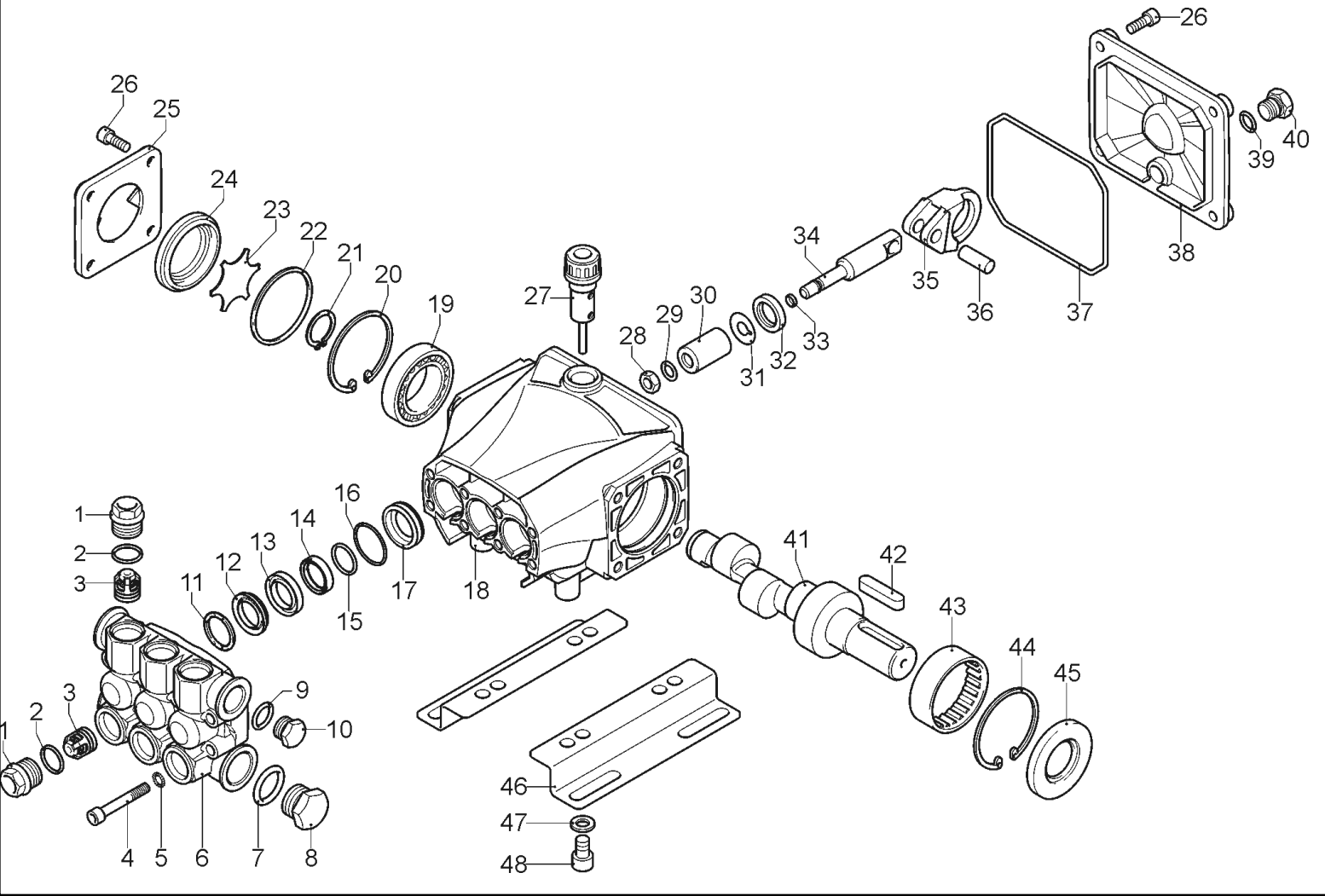


Ref. K	Part N.	Customer Part N.	Description	Qty	Validity:		Price
					From	To	
0001	MPVR40249		RED COVER FT-FTP PP	1,00			--
0002	MPVR58544		TANK FT 200	1,00			--
0003	MPVR60611		SUPPORT AVV. FT200	1,00			--
0004	MFVR93812		FRAME CARRELLO FT200	2,00			--
0005	MPVR60553		FOOT GOMMA 20X20 AQ EPDR50	2,00			--
0006	LAFN58986		PLATE AVVOLGICAVO FT200	2,00			--
0007	MPVR60616		SUPPORT LANCIA FT200	1,00			--
0008	MPVR60917		HUB CAP SPI 2 D.250 BK	2,00			--
0009	VTRS28558		WASHER D.20	2,00			--
0010	RTRT37325		WHEEL D.250-D.20 SPI 2	2,00	02/2011		--
0010	RTRT60891		WHEEL D.250X50 D.20 SPI 2	2,00		01/2011	--
0011	LAFN62390		WHEELS AXLE FT200 ZC.	1,00			--
0012	MEVR61879		FAIR-LEAD PG 13.5 SP.	1,00			--
0013	LAFN40368		MOTOR SUPPORT FTP-AR H. 90	1,00			--
0014	MEVR87376		LOCKNUT PG 13	1,00			--
0016	MPVR60528		PLATE PROT.SCAT.MICRO FT200	1,00			--
0017	IPPR40007		GRIP ST 1100 -P330 -M22 M	1,00			--
0018	LCPR93810		EXTENSION P 330 - I.JET D.1.30 AR	1,00			--
0020	TBAP25324		H.P. HOSE R1 MT 10 5/16" C/2 IRV ZC	1,00			--
0021	MOTR40014		3PH MOTOR B3-B14/AC HP5.5 400-50 2P	1,00			--
0022	GUGO40014		GASKET FTP -MEC 90	1,00			--
0023	MPVR40361		BUSHING FTP M90 C/F.BP.T.	1,00			--
0024	MPVR80674		COVER SC.EL. FT200 S2	1,00			--
0026	MPVR94316		FRAME WAP	1,00			--
0027	MPVR60539		PLATE WAP	1,00			--
0029	PPAP40056		PUMP RCS 13.18 DX N	1,00			--
0030	VVAZ40016		VALVE AR M.MATIC 4/B-RC+ I2.FT	1,00			--
0032	RCDS87610		NIPPLE 3/4 - 1/2 CB D.13.0	1,00			--
0033	FTDT12702		FILTER PA	1,00	06/2011		--
0033	LAFN58908		SUCTION FILTER INDY	1,00		05/2011	--
0034	RCVR29600		SOCKET PTC 3/4 F	1,00			--
0036	RCDS72894		CONNECTOR M22x1,5-3/8"	1,00			--
0039	TBBP62474		L.P. HOSE D. 7-10 CR.	0,55			--
0047	MPVR60848		TANK CAP 1-1/4F	1,00			--

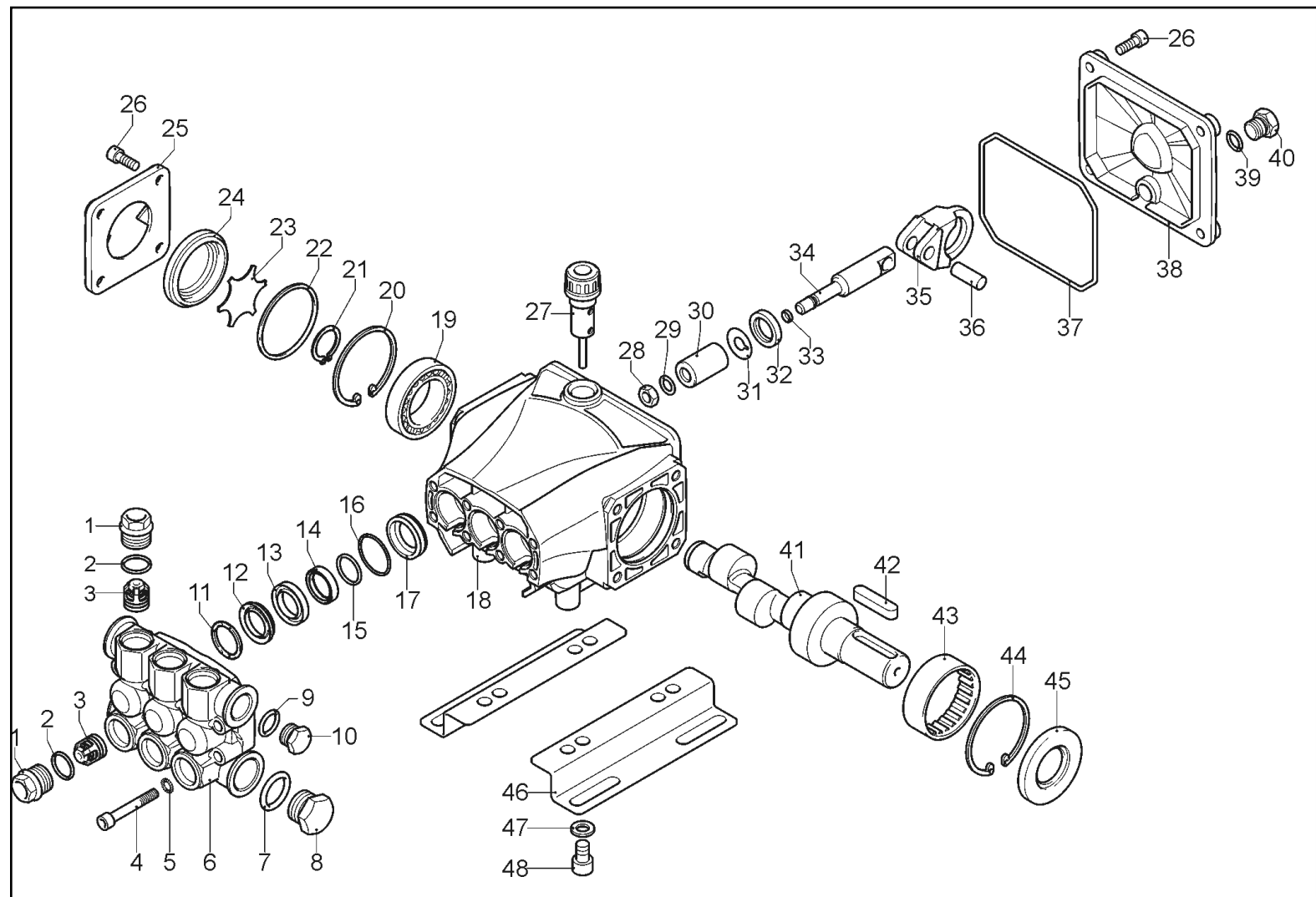
Ref.	K	Part N.	Customer Part N.	Description	Qty	Validity:		Price
						From	To	
K		METT40664		CONTACTOR SIE 3RT 1017 1AV01 400V	1,00			--
IG		MECI81105		SWITCH SLX 16A 250V 0-1 8212 BI	1,00			--
CV1		MECB64233		CABLE H07 RNF 4X1.5 L=5.500	1,00			--



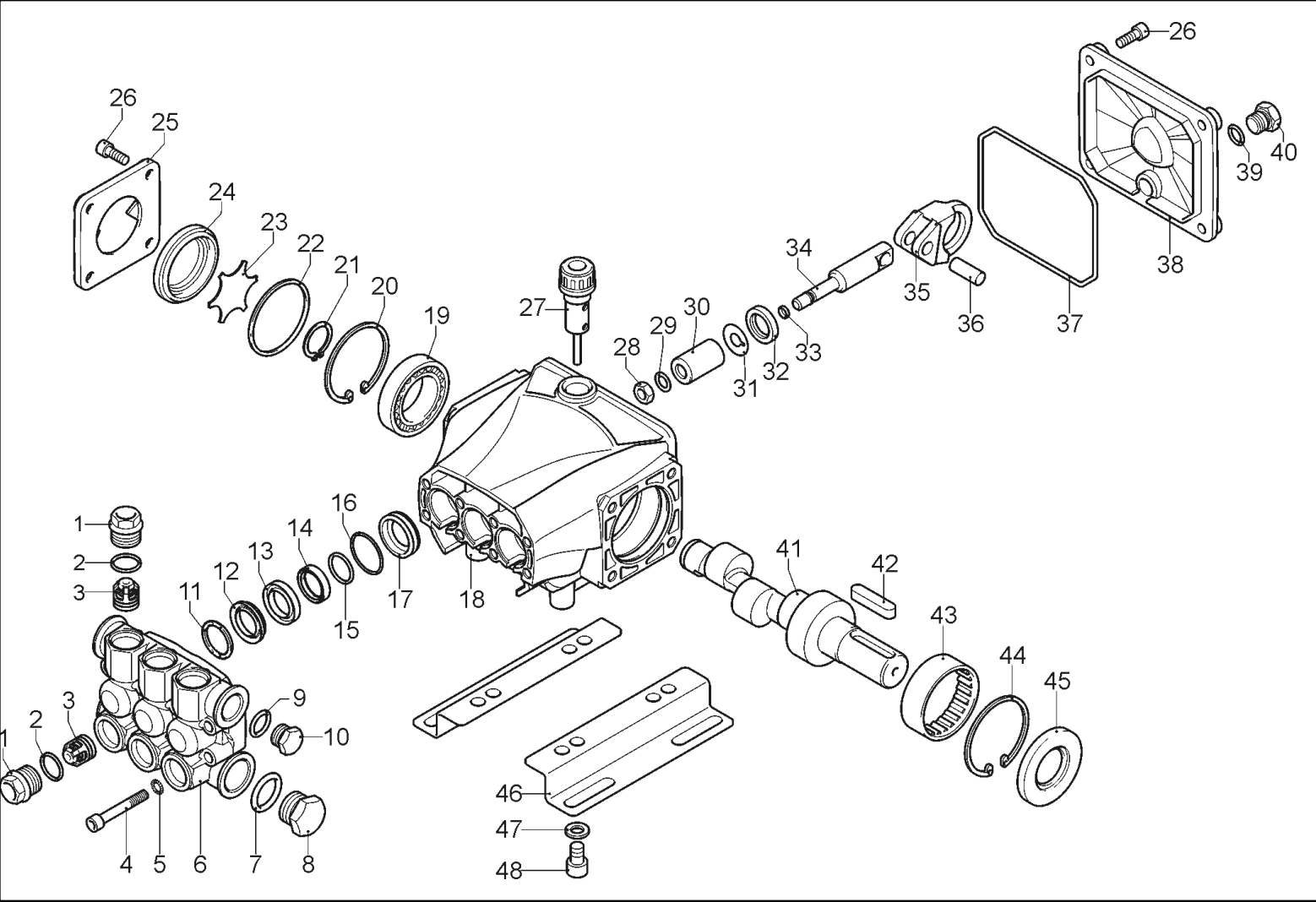
Ref.	K	Part N.	Customer Part N.	Description	Qty	Validity:		Price
						From	To	
0001		PVVR40169		GUN BODY ST 1100 G1/4	1,00			--
0002		MLML40020		SPRING ST 1100	1,00			--
0003		SFVR40000		BALL D. 8 AISI 420	1,00			--
0004		PVVR40170		TUBE G 1/4" L.127,5	1,00			--
0005		RCIN40014		JOINT SWIV ST1100 M22 M	1,00			--
0006		LCPR40007		TUBE 1/4 L=352 ZC. 2V.	1,00			--
0007		MPVR46570		PROTECTION P 330 ST	1,00			--
0008		MPVR46572		SPACER P 330 ST	1,00			--
0011		RCVR13030		GUDGEON G 1/4 F L=31.5	1,00			--
0012		GUGO10384		O-RING D. 10 X 2.2 VIT 80SH	1,00			--
0013		GUVR10526		ANTI-EXTR.RING D.13.9X10.2 C.BZ	1,00			--
0015		MPVR40267		SPACER ST 1100	1,00			--
0016		MPVR40268		SHELL ST 1100	1,00			--
0017		MPVR40269		COVER ST 1100	1,00			--
0019		PVVR40171		SMALL PISTON ST 1100 CP.	1,00			--
0020		PVVR40172		BALL SEAT D. 8 ST 1100	1,00			--
0021		PVVR13445		CONNECTION M 22X1,5 L=45	1,00			--
0022		MPVR40270		TRIGGER ST-1100	1,00			--
0023		RCIN40015		CONNECTOR SWIV 1100 F	1,00			--
0024		GUVR40038		ANTI-EXTR.RING D.10.2X13.9X1.4 PTFE/B	1,00			--
0025		GUVR40039		ANTI-EXTR.RING D.11.1X14X1.4 PTFE/B	1,00			--
0027		PVVR40173		ROD ST-1100	1,00			--



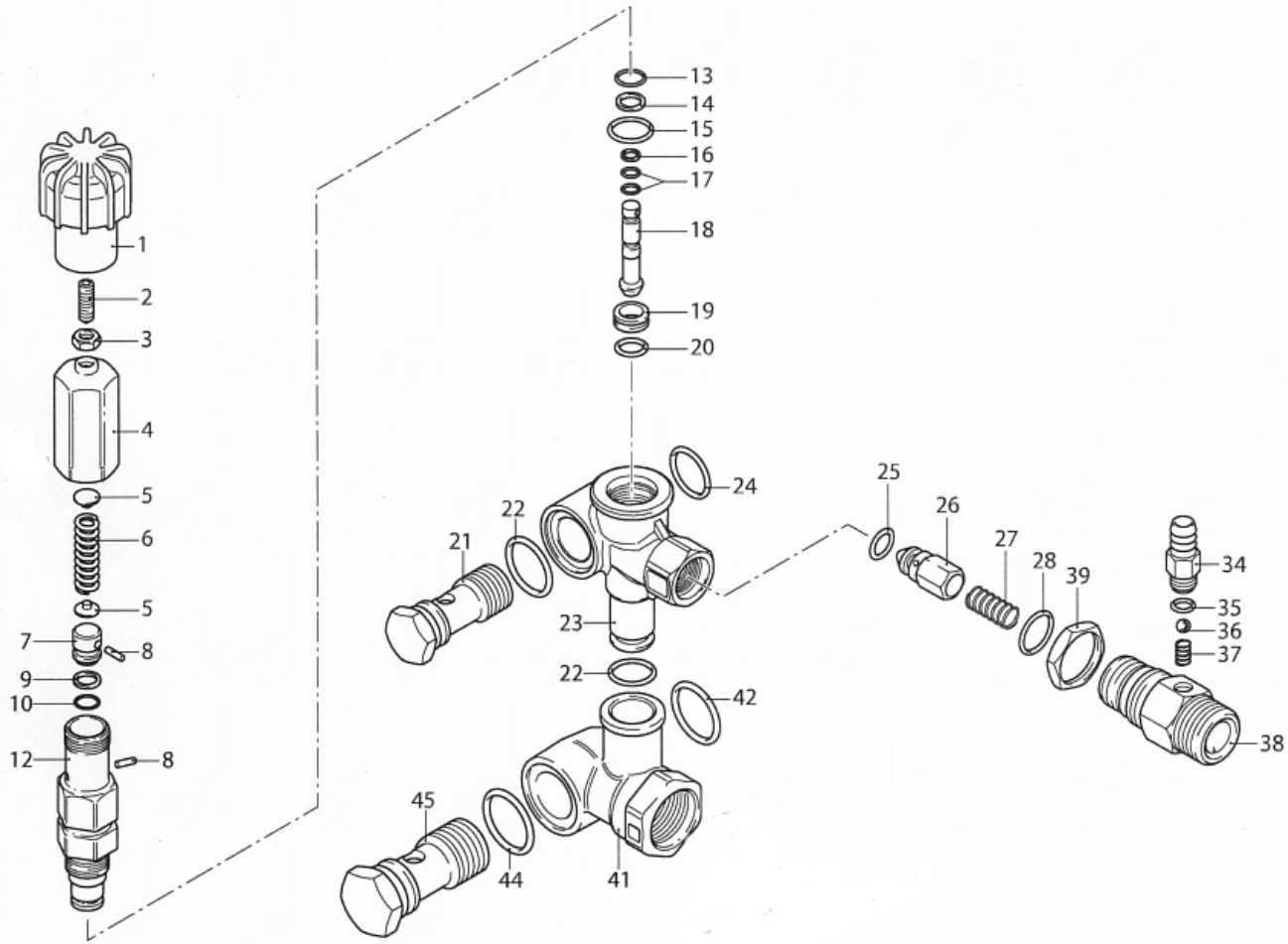
Ref.	K	Part N.	Customer Part N.	Description	Qty	Validity: From To	Price
0001		PVVR40120		CAP AR RC	6,00		--
0002		GUGO03505		O-RING D. 15.6 X 1.78 NBR 70SH	6,00		--
0003	S	VVAM40002		VALVE UNIT RC	6,00		--
0004		VTVT01531		SCREW TE 6X 16 UNI 5739	8,00		--
0005		VTRS00503		WASHER D. 6 TE UNI 6798	8,00		--
0006		MFVR40026		HEAD AR RCS OT.	1,00		--
0007		GUGO19245		O-RING D. 17.5 X 2 NBR 70SH	1,00		--
0008		PVVR40121		CAP 1/2 M RC	1,00		--
0009		GUGO09720		O-RING D. 14 X 1.78 NBR 70SH	1,00		--
0010		PVVR40099		CAP 3/8 M HRM	1,00		--
0011	S	PVVR40158		HEAD RING D. 15 RCS	3,00		--
0012	S	GUVR40028		PACKING D. 15 XJS	3,00		--
0013		PVVR40159		INTERMED. RING D. 15 RCS	3,00		--
0014	S	GUVR40041		PACKING D. 15 RCS L.P.	3,00		--
0015	S	GUVR40042		ANTI-EXTR.RING D.15	3,00		--
0016	S	GUGO08182		O-RING D. 21.91 X 1.78 NBR 70SH	3,00		--
0017		PVVR40160		PACKING RETAIN.D. 15 RCS	3,00		--
0018		MFVR40027		PUMP CRANKCASE AR RCS	1,00		--
0019		CUVR14408		BALL BEARING 6304-2RS1	1,00		--
0020		VTAE32478		CIRCLIP D. 32 UNI 7437	1,00		--
0021		VTAE06193		CIRCLIP D. 20 UNI 7435	1,00		--
0022		GUGO02561		O-RING D. 47.5 X 2.62 NBR 70SH	1,00		--
0023		PVVR40125		DISC RC	1,00		--
0024		PVVR40126		OIL INDICATOR RC	1,00		--
0025		MFVR40021		CRANKCASE COVER AR RC LT.	1,00		--
0026		VTVT01531		SCREW TE 6X 16 UNI 5739	8,00		--
0027		PVVR19231		OIL CAP XTS	1,00		--
0028		VTDD00483		NUT M 8 ZIN UNI 5588	3,00		--
0029		VTRS19394		WASHER D. 8X13X0.5	3,00		--
0030	S	PIVR19232		PISTON D. 15 XTS	3,00		--
0031		PVVR19233		DISC XTS	3,00		--
0032	S	GUGO09690		OIL SEAL 15X 24X 5 NBR70	3,00		--
0033		GUGO08071		O-RING D. 4.48 X 1.78 NBR 70SH	3,00		--
0034		PVVR40127		PISTON GUIDE RC	3,00		--
0035		BLVR40001		CONNECTING ROD RC	3,00		--
0036		PVVR40128		GUDGEON D. 9X23 RC	3,00		--
0037		GUGO18695		O-RING D. 101.27 X 2.62 NBR 70SH	1,00		--
0038		MFVR40022		CRANKCASE COVER AR RC	1,00		--
0039		GUGO01036		O-RING D. 10.82 X 1.78 NBR 70SH	1,00		--



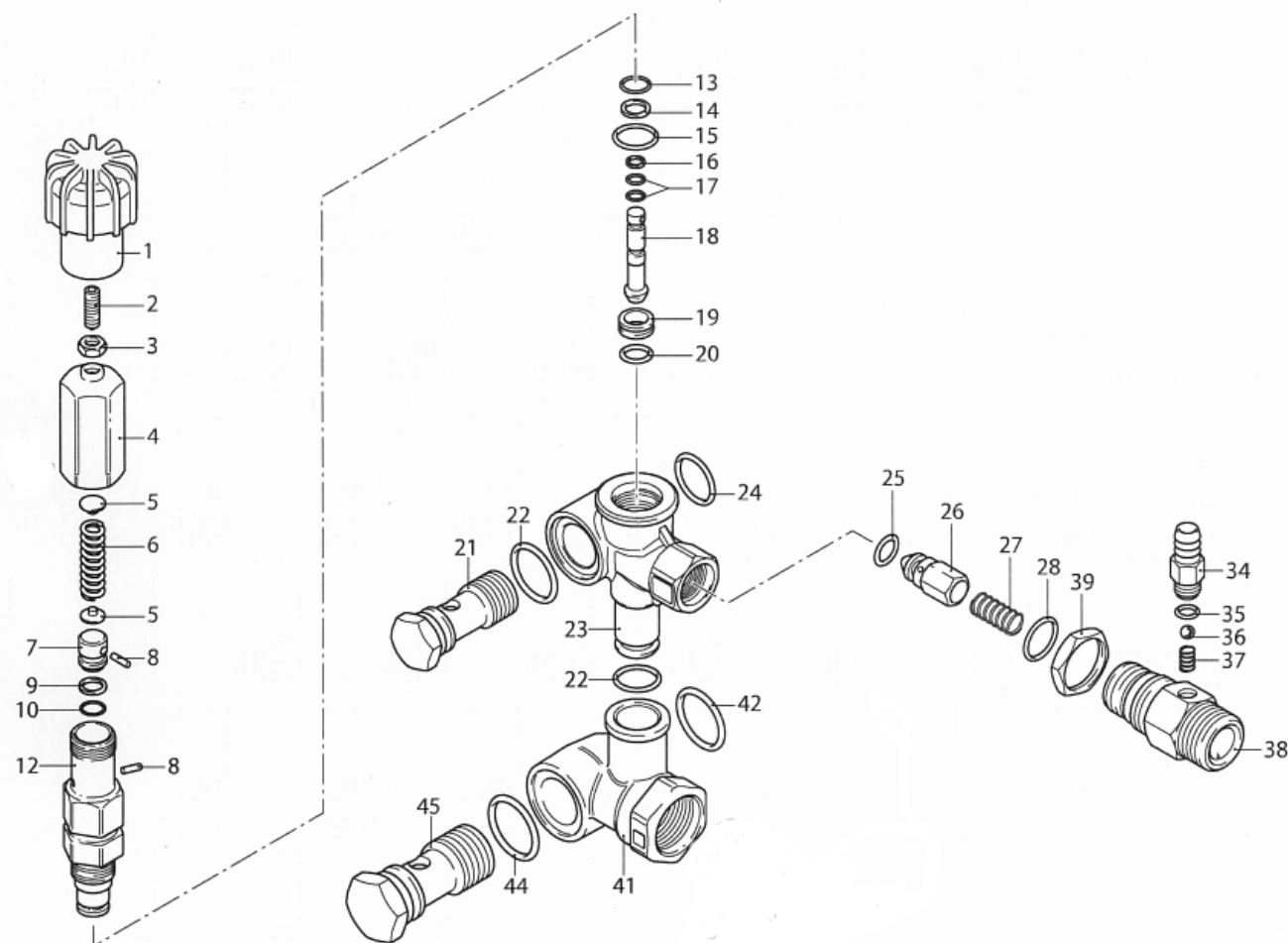
Ref.	K	Part N.	Customer Part N.	Description	Qty	Validity:		Price
						From	To	
0040		PVVR40129		CAP 3/8 M RC	1,00			--
0041		ALMO40010		SHAFT AR RCS 13LT VRS. N	1,00			--
0042		VTVR41531		KEY 8X 7X35 UNI 6604A	1,00			--
0043		CUVR23636		ROLLER BEARING HK 4516	1,00			--
0044		VTAE06193		CIRCLIP D. 20 UNI 7435	1,00			--
0045	S	GUGO00999		OIL SEAL 25X 52X 7 NBR70	1,00			--



Ref. Part N.	Cust. Part N.	Description	Reference	Price
KTRI40092	KIT P	15-2186 RC	0003	--
KTRI40096	KIT P	15-42468 RC	0032 0045	--
KTRI40139	KIT P	15-42475 D.15 RCS	0030	--
KTRI40140	KIT P	15-42476 D.15 RCS	0012 0014 0015 0016	--
KTRI40141	KIT P	15-2191 D.15 RCS	0011	--



Ref.	K	Part N.	Customer Part N.	Description	Qty	Validity: From To	Price
0001		PVVR40227		KNOB M.MT/4B	1,00		--
0002		VTVT20261		SCREW EI-ST 6X20 UNI5923	1,00		--
0003		VTDD00482		NUT M 6 ZIN UNI 5588	1,00		--
0004		PVVR40066		REGISTER AR XJS	1,00		--
0005		PVVR40067		SPRING PLATE AR XJS	2,00		--
0006		MLML40007		SPRING D. 8 XJS	1,00		--
0007	S	PVVR19187		PISTON COMBISET	1,00		--
0008	S	VTVR19193		PLUG D. 2.5X10	2,00		--
0009	S	GUVR40026		ANTI-EXTR.RING D. 8	1,00		--
0010	S	GUGO06988		O-RING D. 7.66 X 1.78 NBR 70SH	1,00		--
0012	S	PVVR40069		PISTON GUIDE AR XJS	1,00		--
0013	S	GUGO09720		O-RING D. 14 X 1.78 NBR 70SH	1,00		--
0014	S	GUGO63403		O-RING D. 8.73 X 1.78 NBR 70SH	1,00		--
0015	S	GUGO02259		O-RING D. 15.54 X 2.62 NBR 70SH	1,00		--
0016	S	GUVR40027		ANTI-EXTR.RING D. 3.7	1,00		--
0017	S	GUGO19189		O-RING D. 2.90 X 1.78 NBR 70SH	2,00		--
0018	S	PVVR40070		CONTROL PISTON AR XJS IF.	1,00		--
0019	S	PVVR40071		VALVE SEAT AR XJS	1,00		--
0020	S	GUGO41692		O-RING D. 9 X 1 NBR 70SH	1,00		--
0021		RCDS40068		SCREW G 3/8 M.MATIC 4/B OT.	1,00		--
0022		GUGO01047		O-RING D. 11.91 X 2.62 NBR 70SH	2,00		--
0023		PVVR40130		VALVE BODY M.MATIC 4/B	1,00		--
0024		GUGO19395		O-RING D. 20.24 X 2.62 NBR 70SH	1,00		--
0025		GUGO12494		O-RING D. 4 X 2.5 -NBR 70SH	1,00		--
0026		PVVR40074		COUPLING N.RIT. XJS	1,00		--
0027		MLML32257		SPRING D. 6.5 X14 D.0.5	1,00		--
0028		GUGO11652		O-RING D. 12.42 X 1.78 NBR 70SH	1,00		--
0034		PVVR40135		HOSE FITTING M.MATIC 4/B IN.	1,00		--
0035		GUGO08071		O-RING D. 4.48 X 1.78 NBR 70SH	1,00		--
0036		SFVR04274		BALL D. 7/32	1,00		--
0037		MLML40008		SPRING D. 4	1,00		--
0038		RCDS40074		NIPPLE G 3/8 D. 2 M.MATIC 4/B	1,00		--
0039		VTDD40003		LOCKNUT G 3/8	1,00		--
0041		PVVR40131		CONNECTOR M.MATIC 4/B	1,00		--
0042		GUGO76542		O-RING D. 23.47 X 2.62 NBR 70SH	1,00		--
0044		GUGO01058		O-RING D. 17.17 X 1.78 NBR 70SH	1,00		--
0045		RCDS40070		SCREW G 1/2 M.MATIC 4/B	1,00		--



Ref. Part N.	Cust. Part N.	Description	Reference	Price
KTRI40127	KIT P	14-100 M.MATIC 4/B	0007 0008 0009 0010 0012 0013 0014 0015 0016 0017 0018 0019 0020	--