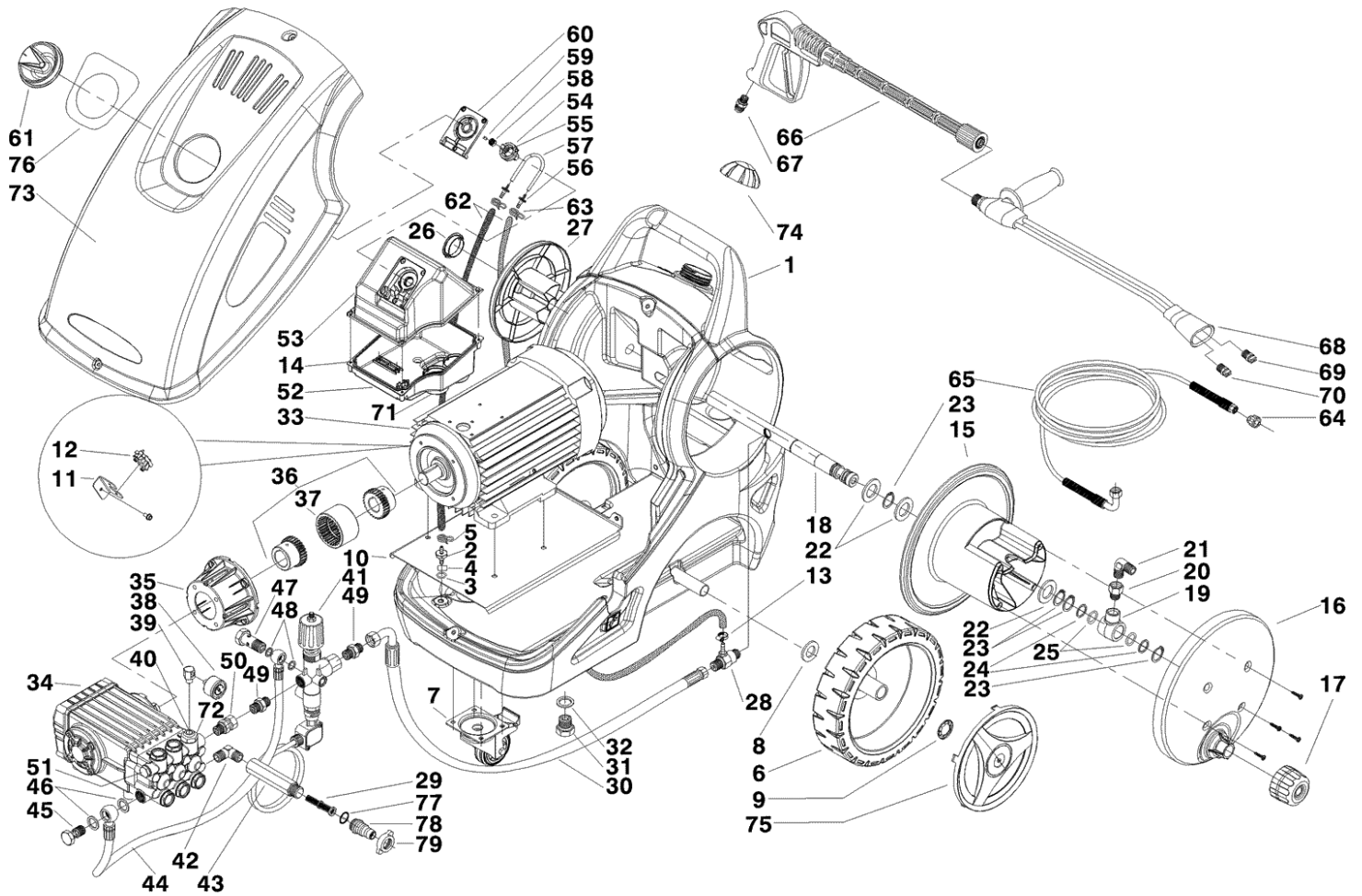


Spare Parts List

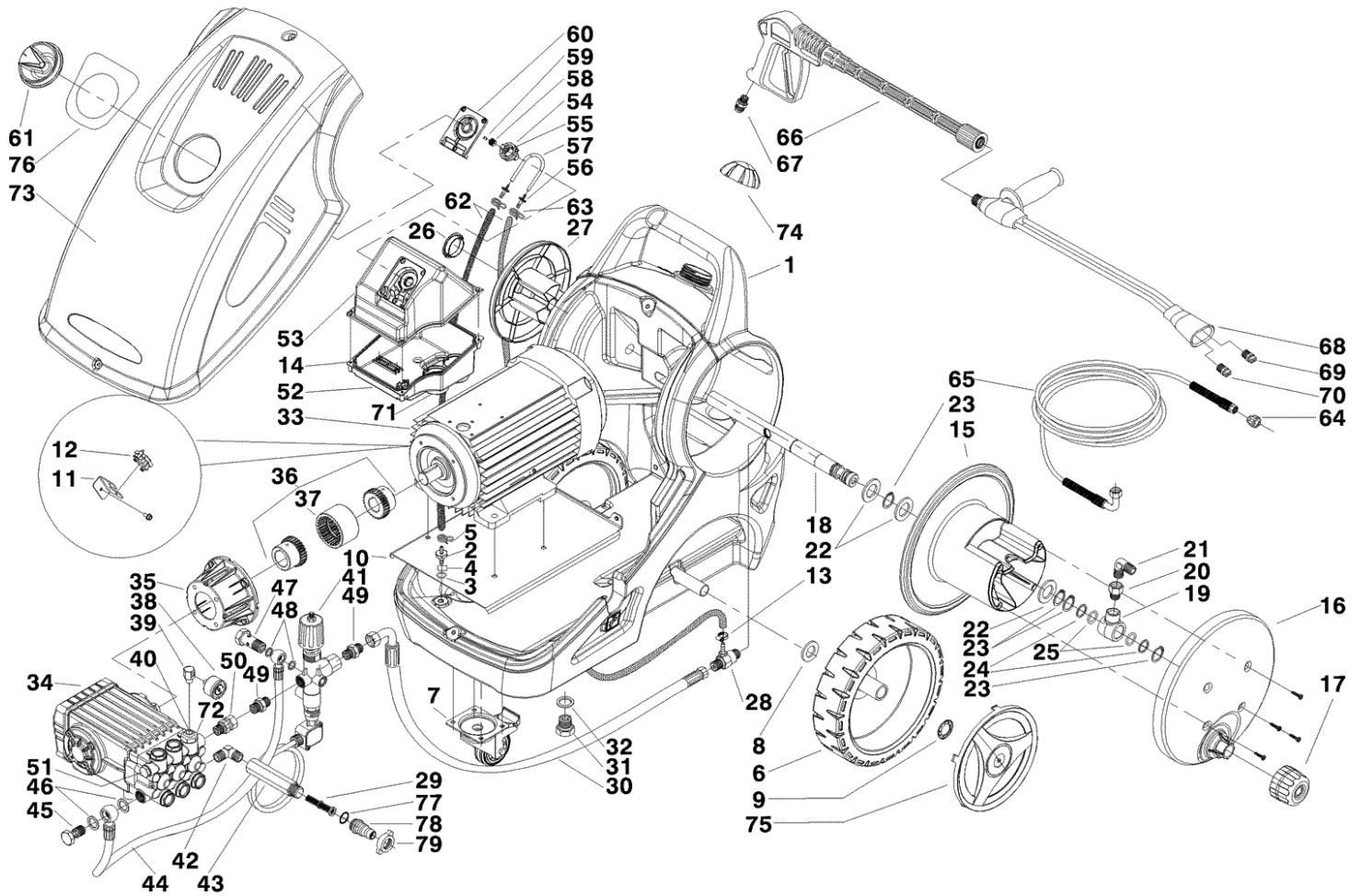
OOO "MULTITECH"

Ref: IDAF89838

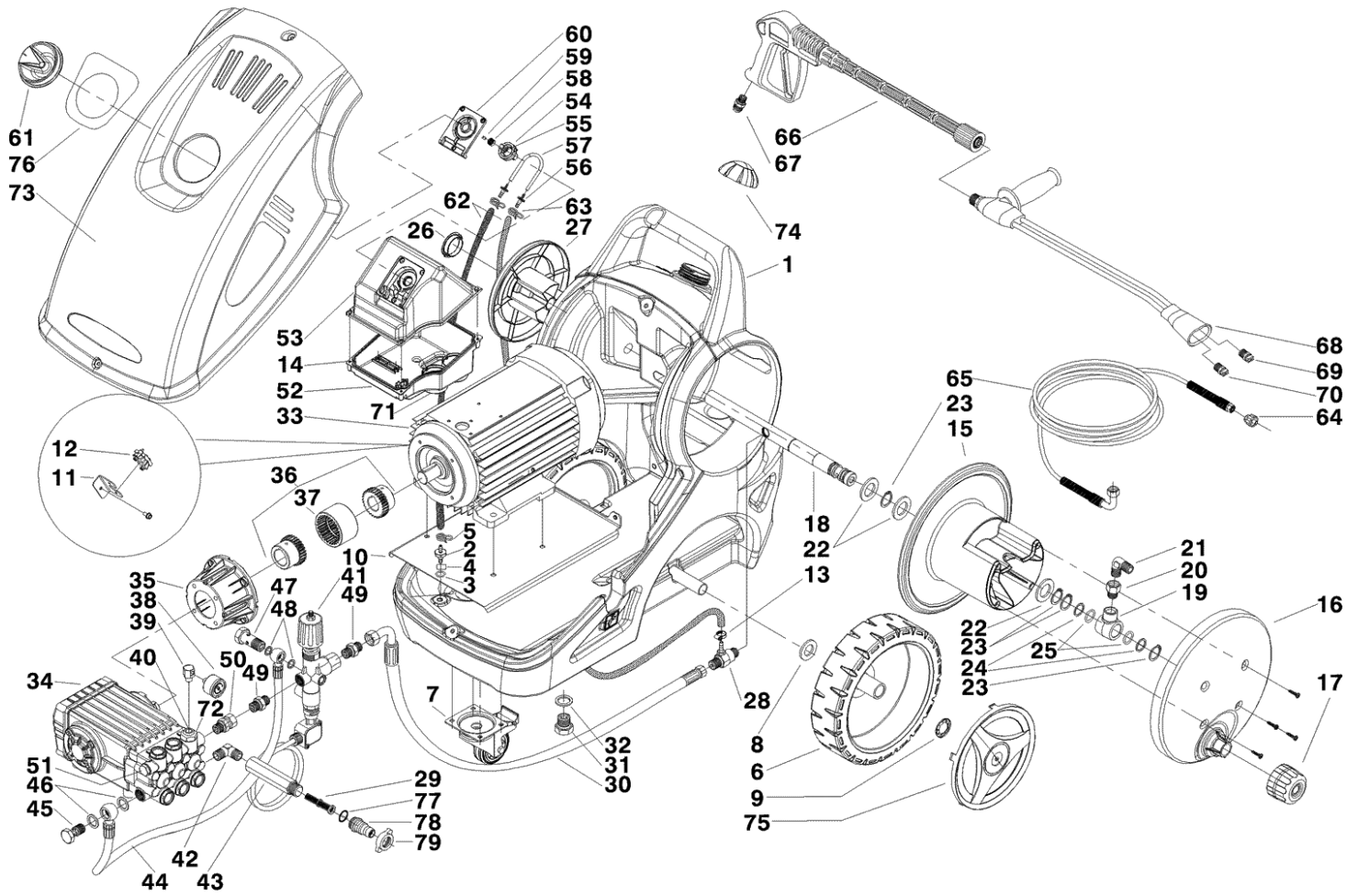
Model: IDROP EVOLUT.X5 DS 2980 T 400/50 3-01PRT



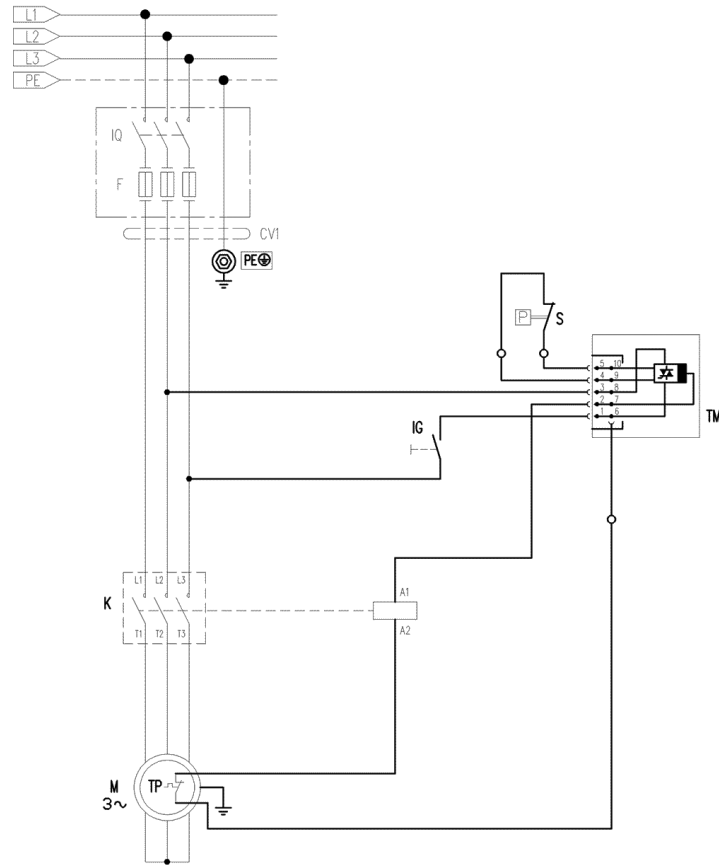
Ref.	K	Part N.	Customer Part N.	Description	Qty	Validity: From To	Price
0001		MPVR89771		CHASSIS P237-10CV C.SB. PELD BK.	1,00	--	--
0002		RCDS88373		HOSE FITTING 1/8 M D. 3- 7	1,00	--	--
0003		GUGO01054		O-RING D. 15.08 X 2.62 NBR 70SH	1,00	--	--
0004		TBBP15347		L.P. HOSE D. 6- 8 RILSAN NT.	0,05	--	--
0005		FSVR72800		CLAMP D 8.3 - 8.8	1,00	--	--
0006		RTRT45383		WHEEL D.305-D.25 RT-IPC	2,00	--	--
0007		RTRT12872		TURNING WHEEL D. 80 - P60X 80 - FR M.PL	1,00	--	--
0008		VTRS73055		WASHER D.44x26x4	2,00	--	--
0009		VTRS09813		WASHER D.25	2,00	--	--
0010		LAFN89773		MOTOR SUPPORT P237 H.112	1,00	--	--
0011		LAFN89774		SUPPORT P237 ZC.	1,00	--	--
0012		MEVR33994		CABLE FASTNER 4228 B D. 6- 18	1,00	--	--
0013		FSVR00427		CLAMP D. 12 CLIC 66-110	1,00	--	--
0014		GUGO11309		JOINT MOUSSE D. 3	0,80	--	--
0015		MPVR89766		DRUM P237 PPL BK.	1,00	--	--
0016		MPVR89765		COVER P237 PA6 BK.	1,00	--	--
0017		MPVR89764		HANDLE P237 PA6	1,00	--	--
0018		LAFN89791		AXLE P237-10CV 2PZ.	1,00	--	--
0019		RCDS89862		BLOCK PRT-P237 G3/8 OT.	1,00	--	--
0020		RCVR62626		SLEEVE 3/8 M/F L=30.5	1,00	--	--
0021		RCVR40590		ELBOW 3/8" M A.P. OT.MTM	1,00	--	--
0022		VTRS04924		WASHER D.23X 39	3,00	--	--
0023		VTAE33674		CIRCLIP D. 22 UNI 7435	4,00	--	--
0024		GUVR37665		ANTI-EXTR.RING D.17.8X22 X1.5 PTFE	2,00	--	--
0025		GUGO01032		O-RING D. 17.13 X 2.62 NBR 70SH	2,00	--	--
0026		MPVR89776		CAP P237 A.CB.	1,00	--	--
0027		MPVR89777		CABLE SUPPORT P237	1,00	--	--
0028		EIDT89861		EJECTOR 1/2-1/4 M D.2.3 P237-MV	1,00	--	--
0029		FTAC30214		FILTER D.15X67	1,00	--	--
0030		TBAP89857		HOSE-FITTING 3/ 8 R2 L=480 1/2F-3/8F90	1,00	--	--
0031		RCDS89769		CAP M12X1 CH.6 H.20 OT.	1,00	--	--
0032		GUGO76542		O-RING D. 23.47 X 2.62 NBR 70SH	1,00	--	--
0033		MOTR89784		3PH MOTOR B3-14 HP10 23/400-50 ED C	1,00	--	--
0034		PPAP42347		PUMP WS102 DX LT 21-100 BAR US	1,00	--	--
0035		MFVR89552		FLANGE MOTOR H 112 B14-P237 9HP	1,00	--	--
0036		FGGT88467		FLEX. COUPLING P105 HP 9.0 CPL.	1,00	--	--
0037		FGGT88465		SLEEVE D.60(65)TGH	1,00	--	--
0038		MNMN89877		PRESSURE GAUGE G1/4 0-315 D.50 INOX	1,00	--	--
0039		RCDS76675		CAP M24X2X16,5 C/F. 1/4 OT.	1,00	--	--



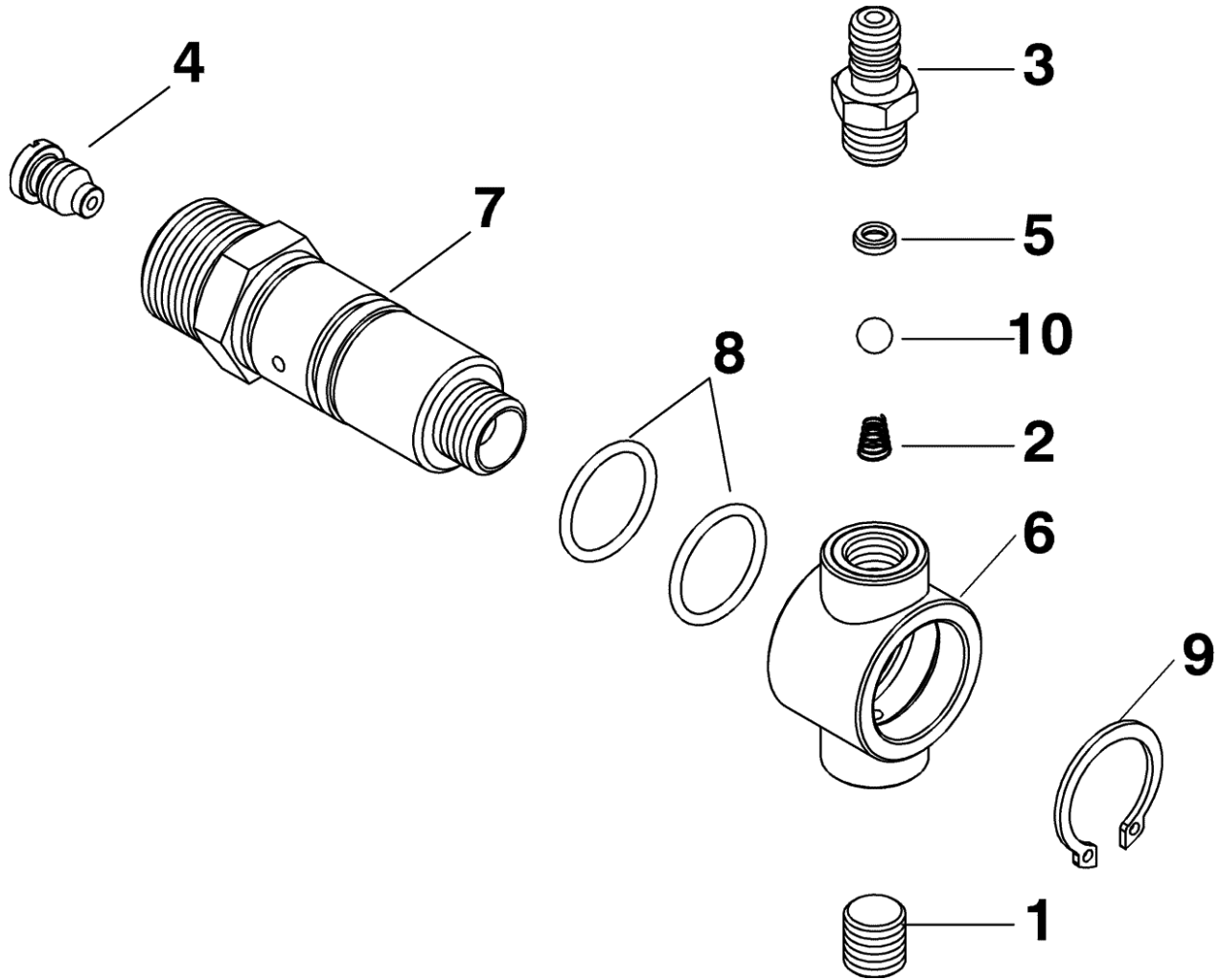
Ref.	K	Part N.	Customer Part N.	Description	Qty	Validity: From To	Price
0040		RCDS89792		CONNECTOR G 1/4M -1/4F 90° P237 OT	1,00		--
0041		VVAZ89669		VALVE BP 9 3/8F-250B. +SWITCH	1,00		--
0043		RCDS89865		SLEEVE 3/4-1/2 M/F P237 OT	1,00		--
0044		TBBP28994		L.P. HOSE L= 390 1/2OCC-3/8OCC. 90°	1,00		--
0045		RCDS16328		SCREW G 1/2 D.8	1,00		--
0046		VTRS12491		WASHER 1/2	2,00		--
0047		RCDS01371		SCREW G 3/8 A.P.	1,00		--
0048		VTRS12492		WASHER 3/8	2,00		--
0049		RCDS00610		NIPPLE 3/8 - 3/8 SV	2,00		--
0050		RCVR00563		SWIVEL RACCORD 3/8 M/F	1,00		--
0051		RCVR00659		CAP 1/4 M	1,00		--
0052		MPVR89768		CONTROL BOX P237 PA6 BK.	1,00		--
0053		MPVR89767		BOX COVER P237 PA6 BK.	1,00		--
0054		MPVR89759		TAIL PIECE P237 INT. PA6 BK.	1,00		--
0055		GUGO01032		O-RING D. 17.13 X 2.62 NBR 70SH	1,00	09/2006	--
0055		GUGO19395		O-RING D. 20.24 X 2.62 NBR 70SH	1,00		09/2006
0056		RCDS89761		HOSE FITTING PA6 D. 3.5-7 P237	2,00		--
0057		TBBP89815		L.P. HOSE D. 4- 8.5 SILIC. NT.	0,19		--
0058		MPVR89760		ROLLER P237 PA6 BK.	1,00		--
0059		LAFN89793		PIN P237 INX	1,00		--
0060		MPVR89763		COVER P237 PA6 BK.	1,00		--
0061		MPVR89762		BLACK KNOB P237 PA6	1,00		--
0062		TBBP04917		L.P. HOSE D. 6- 9	1,15		--
0063		FSVR72803		CLAMP D 9.3 - 9.9	2,00		--
0064		RCIN89882		CONNECTION G 1/2F +INN.G1/4M L.14.5	1,00		--
0065		TBAP89859		H.P. HOSE R1 MT 15 5/16" 1/4F- 3/8F	1,00		--
0066		IPPR86137		GRIP ST 2300 - P 330 - M3/8 M	1,00		--
0067		RCIN73010		SCREW CLUTCH 3/8 F	1,00		--
0068		LCPR12983		DOUBLE EXTENS. PD 70	1,00		--
0069		UGLN05174		NOZZLE 1/4 5040 OT	1,00		05/2006
0069		UGLN89941		NOZZLE LECH 1/4 6070 OT.	1,00	05/2006	--
0070		UGLN49996		NOZZLE LECH 1/4 2507	1,00		--
0071		GUGO89794		O-RING 41.28 X 3.53- NBR -70SH	1,00		--
0072		GUGO01033		O-RING D. 20.24 X 2.62 NBR 90SH	1,00		--
0073		MPVR89647		RED COVER P237-10CV PP	1,00		--
0074		MPVR45426		TANK CAP P176 PEHD	1,00		--
0075		MPVR45384		RED WHEEL COVERD. 305 RT-PRT	2,00		--
0077		GUGO01054		O-RING D. 15.08 X 2.62 NBR 70SH	1,00		--
0078		RCDS08965		HOSE FITTING OTT.	1,00		--



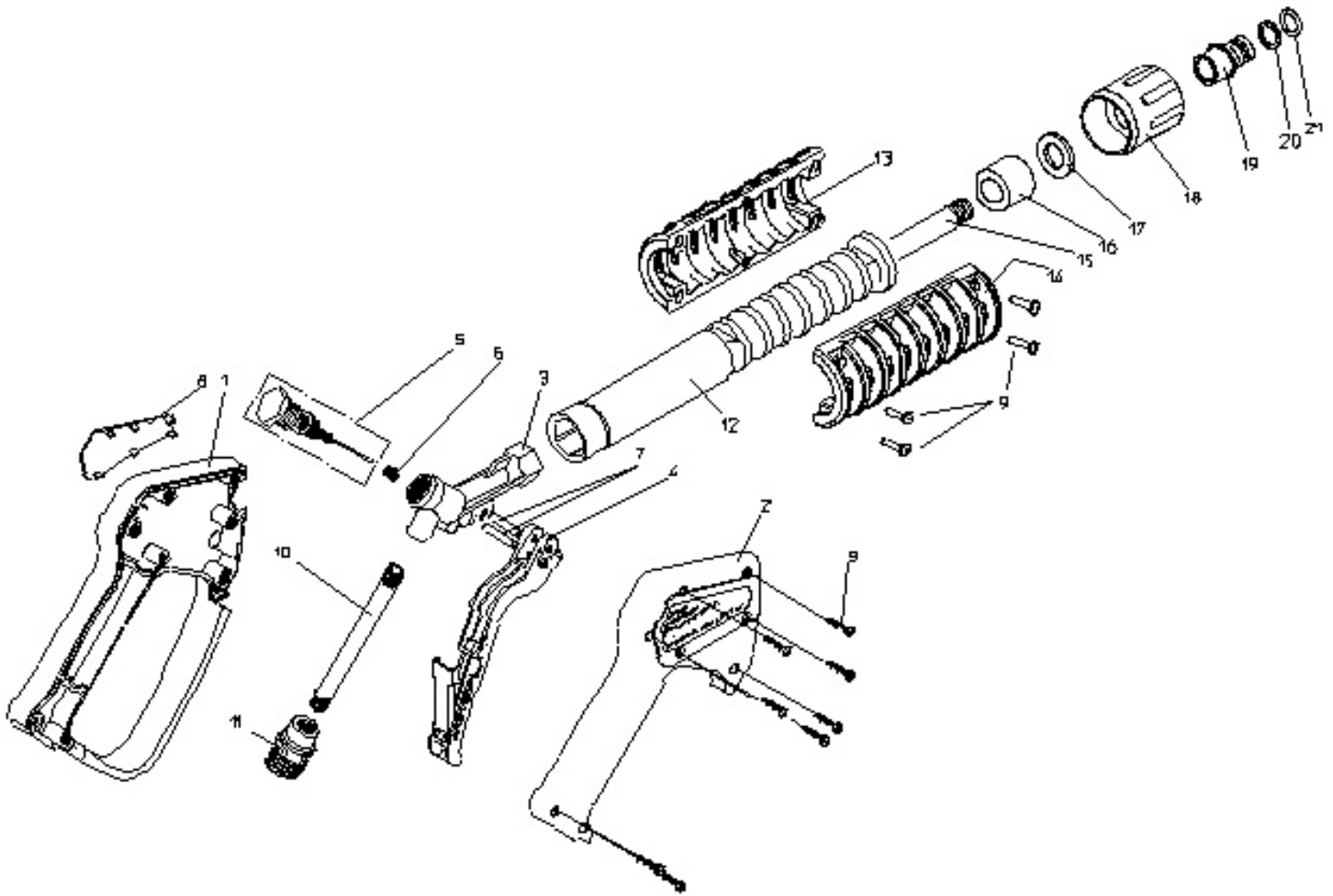
Ref.	K	Part N.	Customer Part N.	Description	Qty	Validity:		Price
						From	To	
0079		RCDS09316		CONNECTION G. 3/4	1,00			--
0080		ETET89890		LABEL P237-EV.X5 PLC	1,00			--



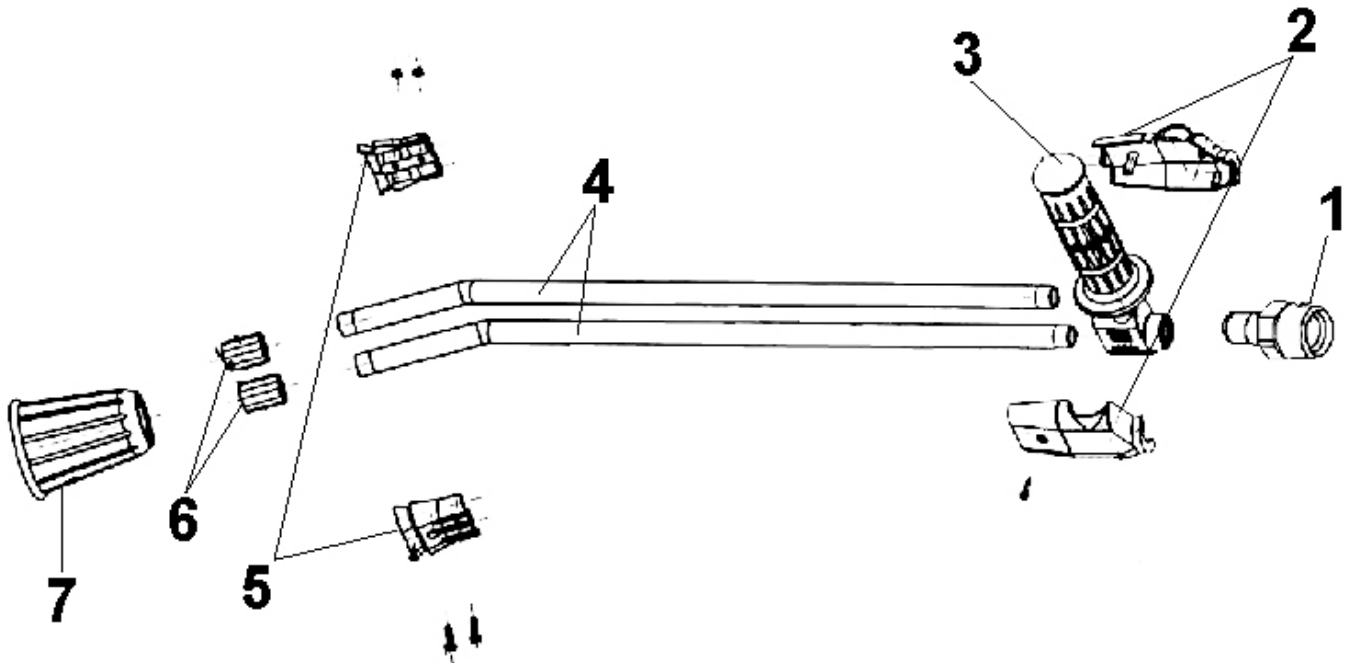
Ref.	K	Part N.	Customer Part N.	Description	Qty	Validity:		Price
						From	To	
K		METT89844		CONTACTOR SIE 3RT 1025 1AV00 400V	1,00			--
S		MEPF40000		PRESSURE SWITCHBP9 -3F.	1,00			--
IG		MECI89816		MICROSWITCH XGG2-86 Z284	1,00			--
TM		METY89835		TIMER THV/1+OPTO 380V 5/60 30S	1,00			--
CV1		MECB89887		CABLE H07RNF 4X4 L. 6.500	1,00			--



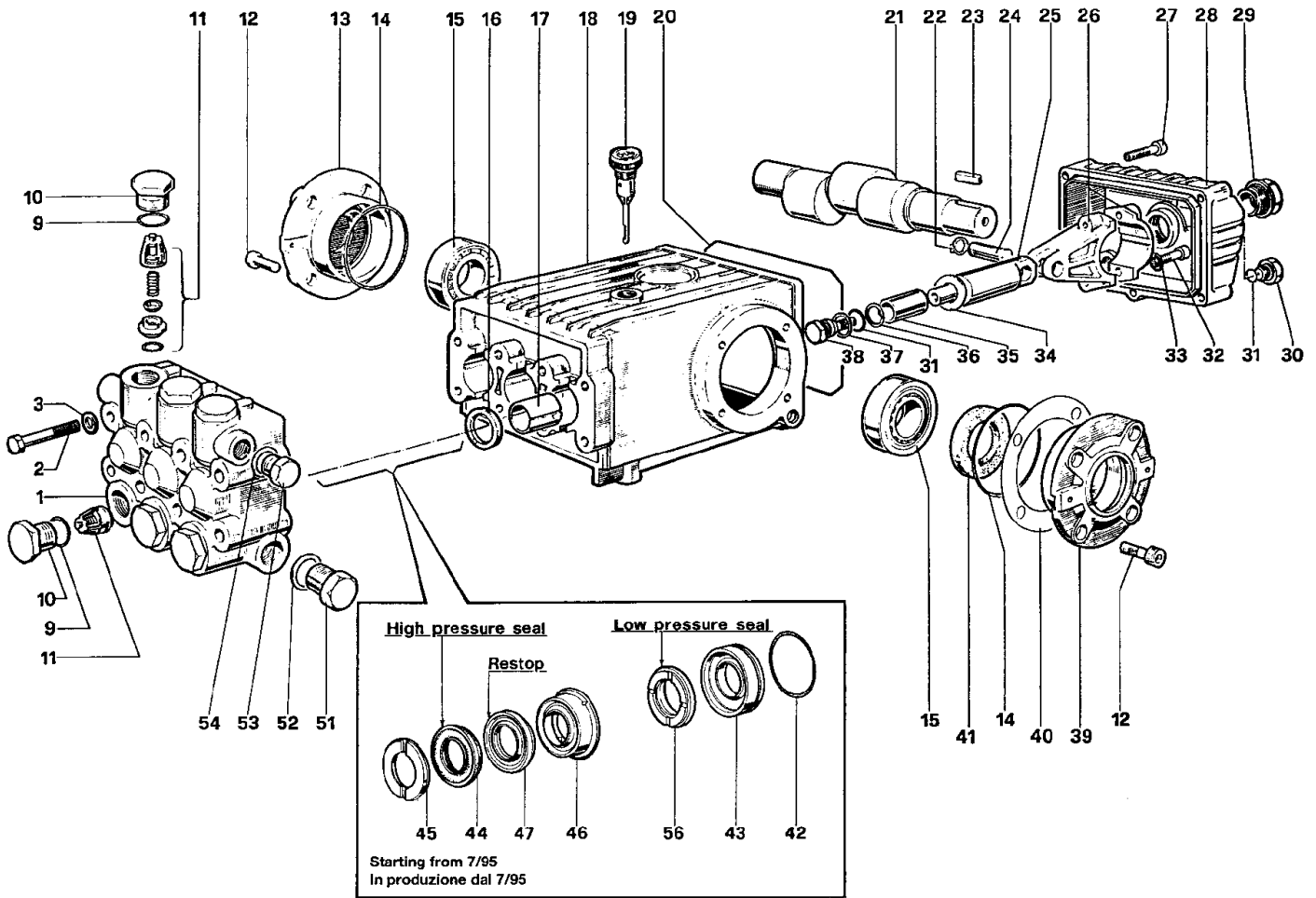
Ref. K	Part N.	Customer Part N.	Description	Qty	Validity:		Price
					From	To	
0001	RCDS59682		CAP G 1/8 CN	1,00			--
0002	MLML47996		SPRING D. 5.5	1,00			--
0003	PVVR40014		HOSE FITTING P237-MV	1,00			--
0004	UGEI40003		NOZZLE D. 2.3 MV OT	1,00			--
0005	PVVR47994		BALL SEAT MV 625	1,00			--
0006	PVVR47995		METERING. BODY MV 625 GIR.	1,00			--
0007	PVVR40015		METERING. BODY G1/2 P237	1,00			--
0008	GUGO01058		O-RING D. 17.17 X 1.78 NBR 70SH	2,00			--
0009	VTAE06193		CIRCLIP D. 20 UNI 7435	1,00			--
0010	SFVR04274		BALL D. 7/32	1,00			--



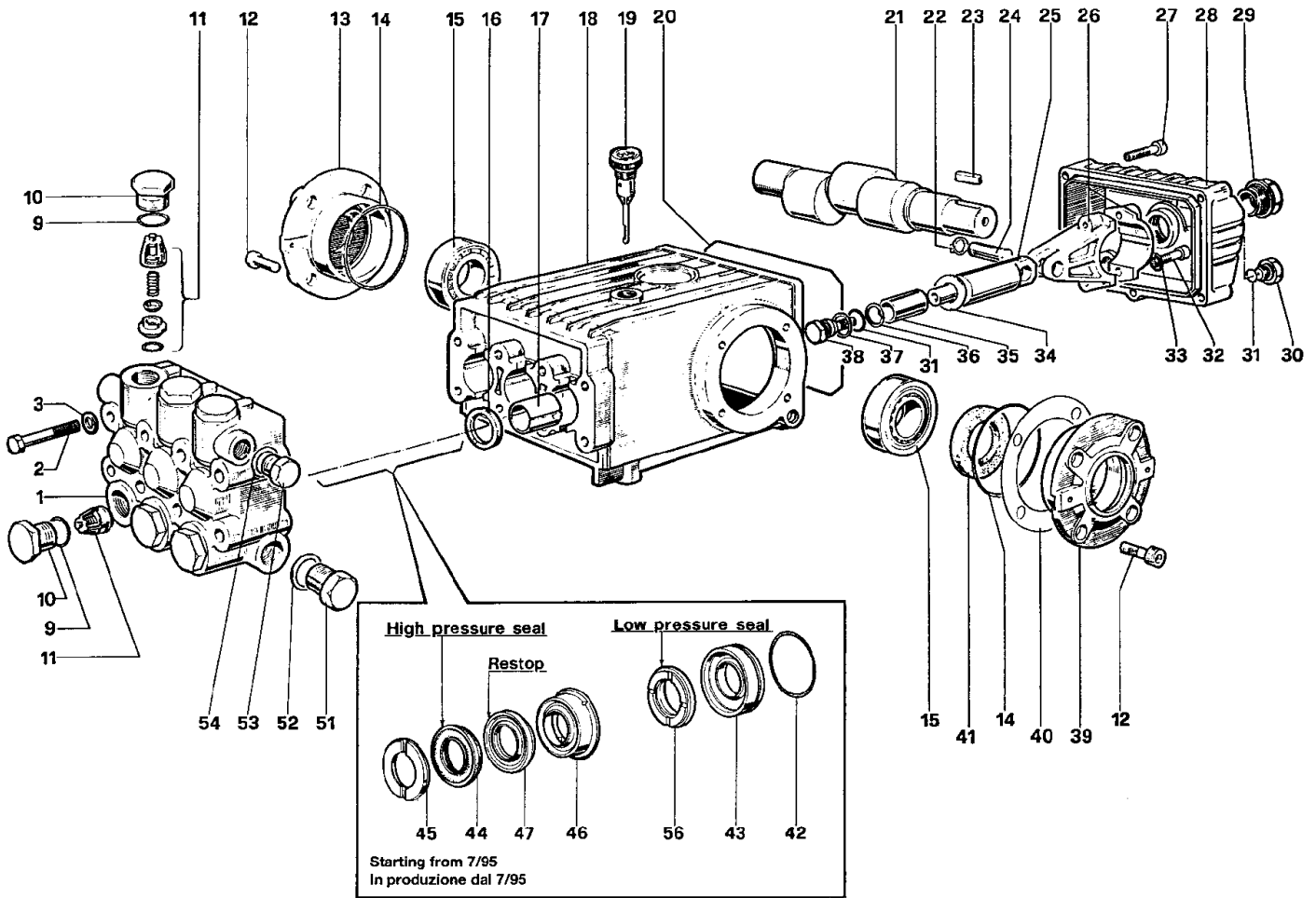
Ref. K	Part N.	Customer Part N.	Description	Qty	Validity: From To	Price
0001	MPVR46562		SHELL G 4500	1,00		--
0002	MPVR46563		COVER G 4500	1,00		--
0003	PVVR46564		GUN BODY G 4500 G1/4 OT.	1,00		--
0004	MPVR46565		TRIGGER G 4500	1,00		--
0005	PVVR46566		SMALL PISTON G 4500 CPL.	1,00		--
0006	PVVR46567		PISTON GUIDE G 4500 CPL.	1,00		--
0007	VTVR46568		PLUG G 4500	2,00		--
0008	MPVR40006		PLATE ST2300 BK.	1,00		--
0009	VTVT28553		SCREW TCB-TC 3.5X16	11,00		--
0010	PVVR40022		TUBE G 1/4" M/M	1,00		--
0011	RCDS40005		NIPPLE G 3/8 G 1/4F ST2300	1,00		--
0012	MPVR46570		PROTECTION P 330 ST	1,00		--
0013	PVVR13440		SHELL PROTECTI.ST	2,00		--
0015	LCPR46571		TUBE 1/4 L=352 INOX	1,00		--
0016	MPVR46572		SPACER P 330 ST	1,00		--
0017	VTRS04931		WASHER COPPER D.13X19X1.5	1,00		--
0018	PVVR13445		CONNECTION M 22X1,5 L=45	1,00		--
0019	RCVR13030		GUDGEON G 1/4 F L=31.5	1,00		--
0020	GUVR10526		ANTI-EXTR.RING D.13.9X10.2 C.BZ	1,00		--
0021	GUGO10525		O-RING D. 9.3 X 2.4 NBR 70SH	1,00		--



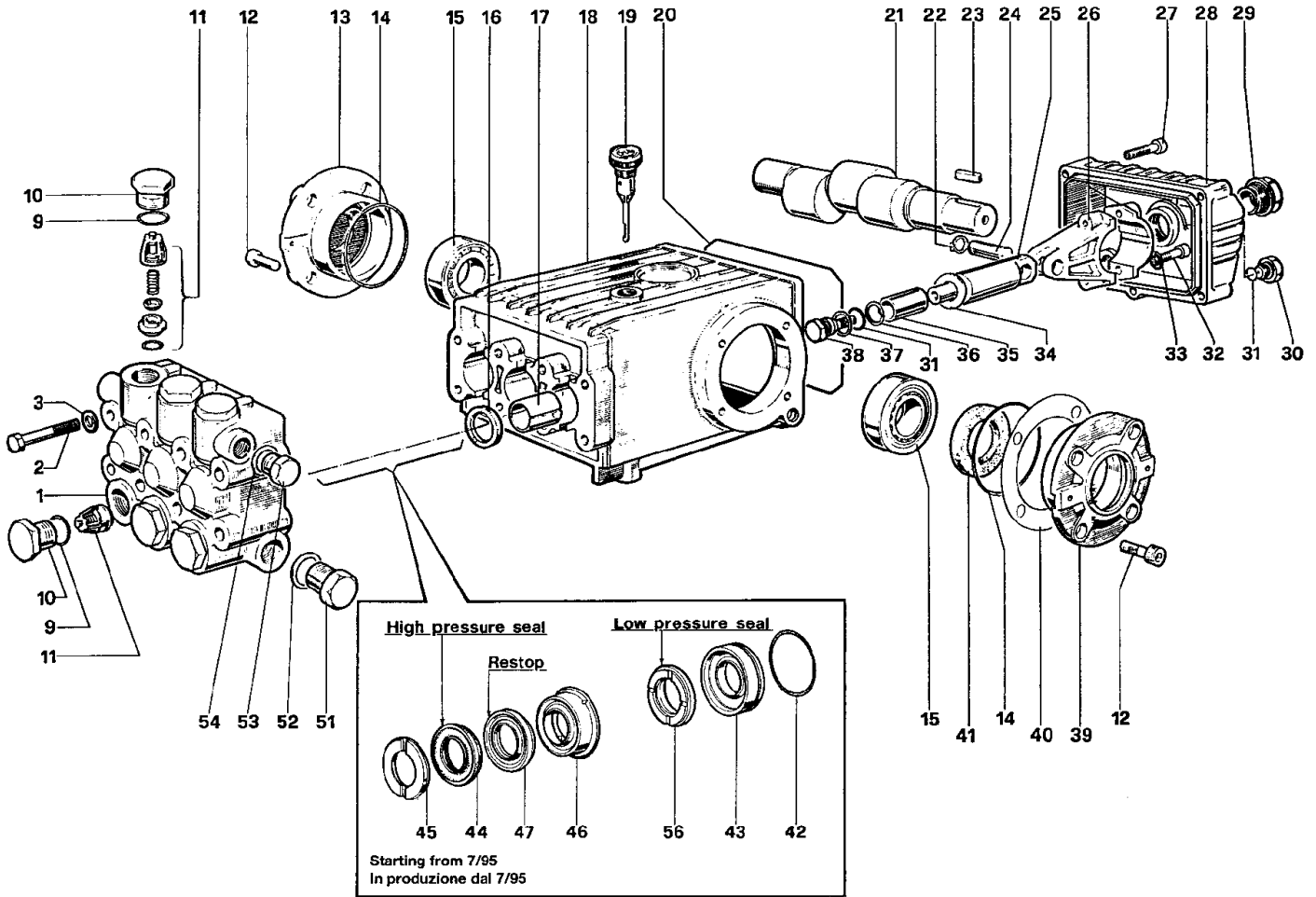
Ref. K	Part N.	Customer Part N.	Description	Qty	Validity:		Price
					From	To	
0001	PVVR45296		COUPLING G 1/4M -M22 M	1,00			--
0002	MPVR45214		PROTECTION TB.1/4 MTM	1,00			--
0003	RCGR45737		TAP 1/4 F LD MTM	1,00			--
0004	LCPR45740		TUBE 1/8 L=660 INOX MTM	2,00			--
0005	MPVR45001		SHELL LD MTM	1,00			--
0006	RCVR45741		NOZZLE HOLDER 1/4-1/8 F MTM	2,00			--
0007	PVVR43810		PROTECTION L.D. MTM	1,00			--



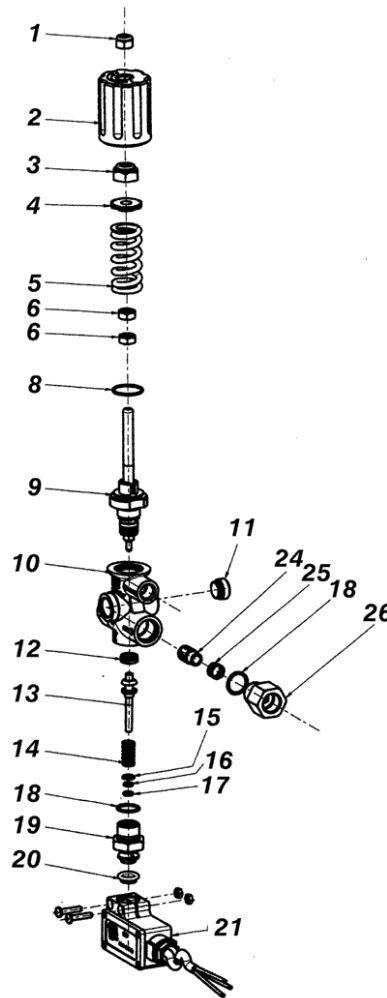
Ref.	K	Part N.	Customer Part N.	Description	Qty	Validity:		Price
						From	To	
0001		MFVR01097		HEAD W 151	1,00			--
0002		VTVT01111		SCREW TE M 8X70 UNI 5737	8,00			--
0003		VTRS01072		WASHER D. 8 TC	8,00			--
0009	S	GUGO01033		O-RING D. 20.24 X 2.62 NBR 90SH	6,00			--
0010	S	RCDS01087		CAP M24X2X16 OTT	6,00			--
0011	S	VVAM01104		VALVE UNIT W 70-151	6,00			--
0012		VTVT01118		SCREW TCEI M 8X16 ZC. UNI 5931	8,00			--
0013		MFVR03576		CRANKCASE COVER W151	1,00			--
0014		GUGO01041		O-RING D. 67.95 X 2.62 NBR 70SH	2,00			--
0015		CUVR09205		ROLLER BEARING 32206 A	2,00			--
0016	S	GUGO01000		OIL SEAL 22X 32X 5.5 NBR70	3,00			--
0017		PVVR01011		BUSHING W 151	3,00			--
0018		MFVR01013		PUMP CRANKCASE W 151	1,00			--
0019		PVVR01092		OIL DIPSTICK W 151	1,00			--
0020		GUGO34590		O-RING D. 133.02 X 2.62 NBR 70SH	1,00			--
0021		ALMO41529		SHAFT TS 1521 USA	1,00			--
0022		VTAE14016		CIRCLIP D. 12 UNI 7435	6,00			--
0023		VTVR41531		KEY 8X 7X35 UNI 6604A	1,00			--
0024		PVVR01085		GUDGEON D.13X35 W151	3,00			--
0025		PVVR01029		PISTON GUIDE W 151	3,00			--
0026		BLVR01009		CONNECTING ROD W 151	3,00			--
0027		VTVT01116		SCREW TCEI 6X30 UNI5931	5,00			--
0028		MFVR03582		CRANKCASE COVER W 151 POS	1,00			--
0029		PVVR01083		OIL INDICATOR G 3/4 W70-151	1,00			--
0030		RCDS01088		CAP 1/4X 9 M WW90	1,00			--
0031	S	GUGO01036		O-RING D. 10.82 X 1.78 NBR 70SH	4,00			--
0032		VTVT01120		SCREW TCEI 8X35 UNI5931	6,00			--
0033		VTRS14242		WASHER D. 8.4X13X0.8 UNI7064 SCH	6,00			--
0034	S	VTRS01753		WASHER D.14X28 X0,5	3,00			--
0035		PIVR01066		PISTON D.20X50 W 151	3,00			--
0036	S	GUVR00994		ANTI-EXTR.RING W151	3,00			--
0037	S	VTRS01076		WASHER D.14X18,5X0,5	3,00			--
0038	S	PVVR01107		PISTON BOLT IP W151	3,00			--
0039		MFVR03583		CRANKCASE COVER W151	1,00			--
0040		PVVR01016		THICKNESS 0,1 W 151	2,00			--
0041	S	GUGO01003		OIL SEAL 30X 55X 7 NBR70	1,00			--
0042	S	GUGO01042		O-RING D. 34.6 X 1.78 NBR 70SH	3,00			--
0043	S	PVVR00977		PACKING RETAIN.W151	3,00			--
0044	S	GUVR00981		PACKING W151	3,00			--



Ref.	K	Part N.	Customer Part N.	Description	Qty	Validity:		Price
						From	To	
0045	S	PVVR00985		HEAD RING W151	3,00			--
0046	S	PVVR34589		INTERMED. RING W 151 D. 20	3,00			--
0047	S	GUVR34587		PACKING D. 20 RESTOP	3,00			--
0051		RCDS01091		CAP 1/2X10 M	1,00			--
0052		VTRS01075		WASHER D.21,5X27 ALL	1,00			--
0053		RCDS01090		CAP 3/8X13 M WW90	1,00			--
0054		VTRS01074		WASHER D.17,05X22,3 X1,5	1,00			--
0056	S	GUVR34585		PACKING W 151 L.P.	3,00			--



Ref. Part N.	Cust. Part N.	Description	Reference	Price
KTRI14900	KIT P	15- 3	0041	--
KTRI14901	KIT P	10	0042 0043	--
KTRI17793	KIT P	6	0031 0034 0036 0037 0038	--
KTRI17795	KIT P	4	0009 0010	--
KTRI17859	KIT P	1	0011	--
KTRI17860	KIT P	2	0016	--
KTRI18574	KIT P	7	0045	--
KTRI18579	KIT P	28	0042 0043 0044 0045 0046 0047 0056	--



Ref.	K	Part N.	Customer Part N.	Description	Qty	Validity:		Price
						From	To	
0001		VTDD89669		NUT M 8 X1 AUT. INX A2	1,00			--
0002		MPVR40002		KNOB BP9 BK.	1,00			--
0003		VTDD88134		NUT M 8 BY-PASS BP91	1,00			--
0004		PVVR88140		SPRING PLATE BP91	1,00			--
0005		MLML40001		SPRING D.15.6 X27 L=51.5 250B.	1,00			--
0006		VTDD40000		NUT M 8 X1 UNI5588 INX A2	1,00			--
0008		GUGO11652		O-RING D. 12.42 X 1.78 NBR 70SH	1,00			--
0009		PVVR40016		PUSH ROD BP9 CP.	1,00			--
0010		PVVR88137		VALVE BODY BP91 RIT.3/8"F	1,00			--
0011		PVVR88139		CAP 3/8 M BP91	1,00			--
0012		PVVR88135		INSERT BY-PASS BP91	1,00			--
0013		PVVR40017		CONTROL PISTON BP9+SW.	1,00			--
0014		MLML40002		SPRING D. 7.3 X10.1 L=24.3 INX	1,00			--
0015		VTRS00513		WASHER D. 8 X32 P.	1,00			--
0016		GUGO08071		O-RING D. 4.48 X 1.78 NBR 70SH	1,00			--
0017		GUVR40004		ANTI-EXTR.RING D. 5.1X 7.9X1.5	1,00			--
0018		GUGO03505		O-RING D. 15.6 X 1.78 NBR 70SH	2,00			--
0019		PVVR40018		VALVE GUIDE BP9	1,00			--
0020		GUGO40001		GASKET BP9	1,00			--
0021		MEPF40000		PRESSURE SWITCHBP9 -3F.	1,00			--
0022		VTDD00147		NUT M 4 INX U.5588	2,00			--
0023		VTVT27366		SCREW M 4X20 TCB T-CROCE INOX	2,00			--
0024		PVVR49636		SMALL PISTON BP91 C/OR	1,00			--
0025		MLML49637		SPRING BP91	1,00			--
0026		PVVR49638		CONNECTOR BP91 3/8F	1,00			--