

E140.2

Model:

E 140.1-9 P
E 140.2-10 S X-TRA
E 140.2-6
E 140.2-6 PA
E 140.2-9
E 140.2-9 PAD X-TRA
E 140.2-9 PS X-TRA
E 140.2-9 S X-TRA
E 140.2-9 X-TRA



Part List US-English

01-06-2011

Nilfisk

www.nilfisk.com

Table of Contents

E140.2

Overview	3
Hose reel	6
Motor pump unit Std.	8
Motor pump unit X-tra	10
Default accessories	12

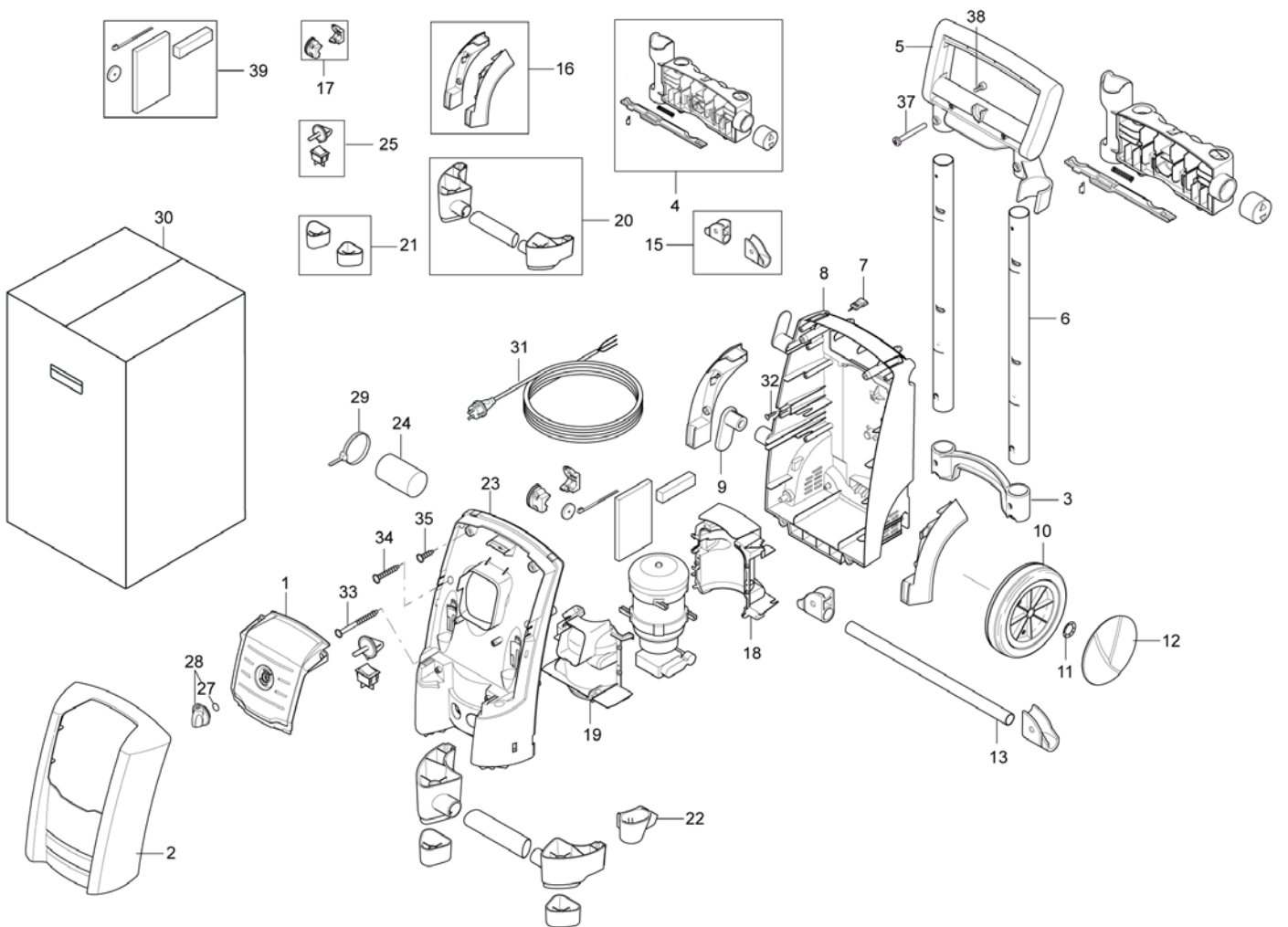
Overview

E140.2

01-06-2011

Part List ID
E130201

3



Overview

E140.2

01-06-2011

Part List ID
E130201

4

Pos	Part no.	Qty	Description	EAN
0	122106489	1	BOX UPON E130.2 PAD X-TRA box upon pos. 30	5703887109
1	127440015	1	SWITCH COVER NILFISK	5703887105
2	127440013	1	FRONT COVER E130.2	5703887105
2	127440014	1	FRONT COVER E 140.2	5703887105
3	127440224	1	HANDLE BRIDGE	5703887103
4	128500091	1	ACCESSORIES STORAGE BLUE	5703887111
5	127440203	1	HANDLE	5703887103
6	127440204	1	AL TUBE	5703887103
7	127440205	1	CLEANING TOOL BLACK	5703887103
8	127440206	1	CHASSIS BACK	5703887103
9	127440208	1	ROTARY CABLE HOOK	5703887103
10	127440209	2	WHEEL	5703887103
11	127440210	2	LOCK WASHER	5703887103
12	302000701	2	WHEEL CAP D115 A	4005337690
13	127440212	1	WHEEL AXLE LOCK	5703887103
15	127444002	1	WHEEL AXLE LOCKER	5703887104
16	127444003	1	MUD CAP SYSTEM	5703887104
17	127444004	1	CABLE FASTEN	5703887104
18	127440214	1	MP COVER BACK	5703887103
19	127440215	1	MP COVER FRONT	5703887103
20	127444005	1	HIGH FOOT WITH GRIPE	5703887104
21	127441006	1	LOW FOOT SYSTEM	5703887104
22	127440216	1	LANCE HOLDER BOTTOM	5703887103
23	127440237	1	CHASSIS FRONT BLACK	5703887104
24	103821790	1	CAPACITOR 25UF M. 440MM CABLE	5701715316
24	127440219	1	CAPACITOR 30UF	5703887103
25	127444007	1	SWITCH SYSTEM	5703887104
27	9868	1	O RING DIA 10X2,5	4005337098
28	909100204	1	ROTARY KNOB 6X5 BLUE	4005337689
29	1814741	1	CABLE TIE	5701715363
30	128307013	1	10PCS BOXES TO E120/E140 E 130.2 / E 140.2	5703887104
30	128307014	1	10PCS BOXES TO E140.2 E 140.2-6	5703887104
30	128307015	1	10PCS OF BOX TO E130/140 X-TRA E 130.2 / E 140.2 X-TRA	5703887104
30	128307016	1	10PCS BOXES TO E130.2 X-TRA E 130.2-8 X-TRA	5703887104
30	128500283	1	TOP BOX E140.2-9 PCAR 10PCS	5703887113
30	128500284	1	TOP BOX E130.2-9 P 10PCS	5703887113
30	128500285	1	TOP BOX E130.2-9 PAD 10PCS	5703887113
30	128500288	1	TOP BOX SUPER 140.2 10PCS	5703887113
31	128300190	1	POWER CABLE WITH PLUG EU	5703887104
31	128300191	1	ELECTRIC CABLE UK	5703887104
31	128300192	1	ELECTRIC CABLE HK/ZA	5703887104
31	128300194	1	ELECTRIC CABLE AUS/NZ/AR	5703887104

Overview

E140.2

01-06-2011

Part List ID

E130201

5

Pos	Part no.	Qty	Description	EAN
31	128300195	1	ELECTRIC CABLE JP/TW	5703887104
32	121814813	2	SCREW K40X25	5703887105
33	121814814	2	SCREW K50X65	5703887105
34	1814722	2	SCREW K50X35 WN1451 TORX	5701715363
35	101814782	2	SCREW K50X18 WN 1451 TORX 20	4005337170
37	121814804	2	NUT FOR HANDLE M4X35 DZN1587	5703887105
38	121814805	2	SCREW M4X8 CROSS DZN7985	5703887105
39	128500237	1	SPARE PART KIT IPX5 FOAM	5703887112

Hose reel

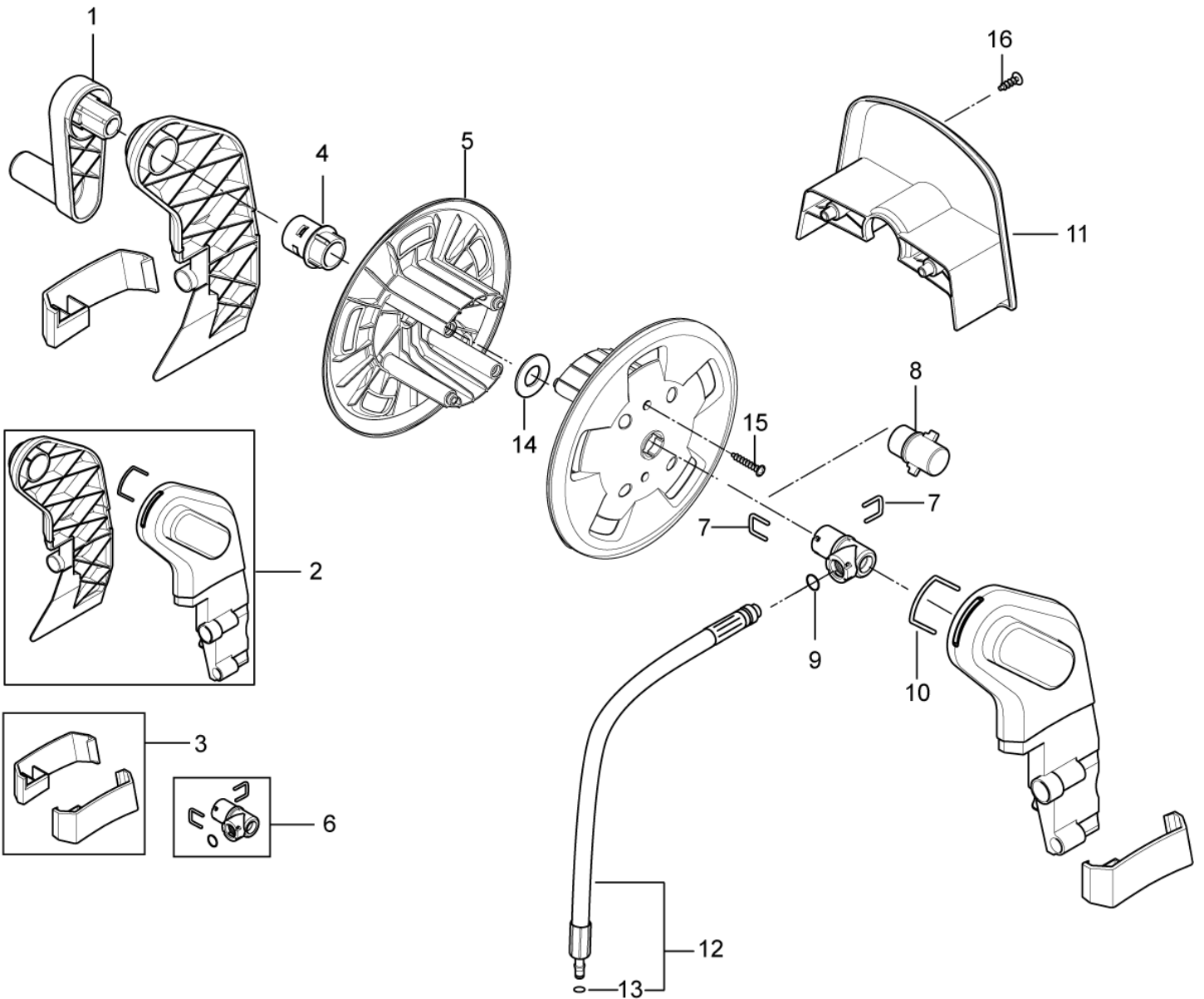
E140.2

01-06-2011

Part List ID

E130202

6



Hose reel

E140.2

01-06-2011

Part List ID

E130202

7

Pos	Part no.	Qty	Description	EAN
1	6528569	1	HOSE REEL HANDL	5701715379
2	127444008	1	HOSE REEL SUPPORT	5703887105
3	127444009	1	HOSE REEL SUPPORT BRACKET	5703887105
4	127440225	1	AXLE FOR HOSE REEL	5703887104
5	126486719	1	HOSE REEL HALF PART	5701715398
6	127440011	1	ADAPTOR SYSTEM ALTO	5703887103
7	6526487	2	LOCK BRACKET SS	5701715239
8	128300063	1	AXLE FOR HOSE REEL	5703887106
9	3002144	1	O-RING 14.3X2.4 NITRIL 70 SH	5701715038
10	127440229	1	LOCK BRACKET	5703887104
11	127440230	1	HOSE HOOK BACK	5703887104
12	127440231	1	CONNECTION HOSE	5703887104
13	3004108	1	O-RING 5.28X1.78 NITRIL 90 SH	5701715038
14	127440233	1	DISK FOR HOSE REEL	5703887104
15	1814722	2	SCREW K50X35 WN1451 TORX	5701715363
16	1814737	2	EJOT SCREW KB50X25 WN1412 BLACK	5701715347

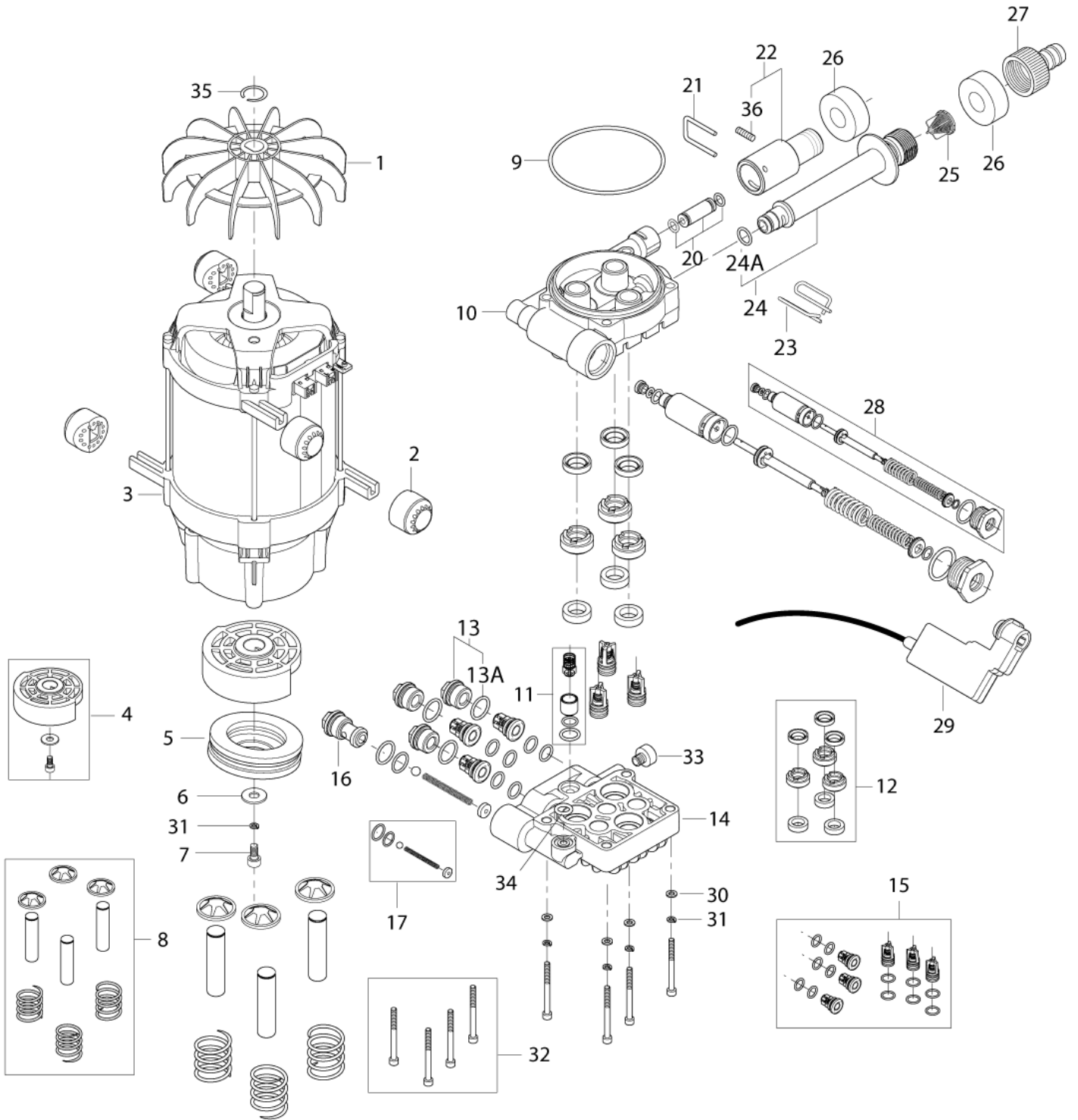
Motor pump unit Std.

E140.2

01-06-2011

Part List ID
E130203

8



Motor pump unit Std.

E140.2

01-06-2011

Part List ID
E130203

9

Pos	Part no.	Qty	Description	EAN
1	127500040	1	NEW FAN	5703887104
2	6524050	3	RACK FOR MOTOR	5701715261
3	127500039	1	MOTOR 2.1KW	5703887104
4	127500031	1	WOBBLE DISK 7.5 DEGREES 1,9KW 2,1KW	5703887104
5	127500032	1	THRUST BALL BEARING	5703887104
6	127130066	1	WASHER D22XD6.4X1.5	5703887102
7	3913	1	SCREW M6X12	4005337039
8	127500003	1	PISTON COMPLETE 3PCS	5703887102
9	127130080	1	O-RING 85X2.62 NR70	5703887102
10	127500004	1	CYLINDER GUIDE	5703887102
11	128342004	1	NON RETURN VALVE KIT OF NA1	5703887106
12	127500037	1	SEALING PARTS SYSTEM	5703887104
13	127500015	3	PLUG M18X1.5 WITH O-RING	5703887104
14	127500034	1	CYLINDER HEAD	5703887104
15	6526026	1	VALVE SYSTEM REPAIRE KIT	5701715124
16	127500005	1	EASY START PLUG	5703887102
17	127440018	1	EASY START KIT	5703887106
20	127500007	1	REDUCTION WITH O-RING	5703887102
21	127500021	1	LOCK BRACKET	5703887104
22	127500043	1	NA1 STANDARE OUTLET	5703887104
23	126528532	1	LOCK BRACKET	5703887100
24	127500035	1	WATER INLET	5703887104
25	6528574	1	WATER FILTER COMPLETE	5701715379
26	126486792	2	FOAM SEAL FOR OUTLET INLET	5701715398
27	1402809	1	QUICK COUPLING MALE	5701715008
28	127500052	1	S/S VALVE COMPLETE	5703887106
29	127500010	1	MICRO SWITCH BOX SYSTEM	5703887102
30	127500029	4	WASHER	5703887104
31	127500050	5	SPRING WASHER	5703887104
32	127500071	1	SCREW M6X70 DIN 912 4PCS	5703887104
33	3289	1	SET SCREW M8X10 DIN 913 B R	4005337032
34	3001211	1	O-RING 9.6X2.4 NITRIL 70SH	5701715037
34	6411218	1	BAG WITH 10 O-RINGS 3001211	5701715413
35	127500051	1	LOCK RING	5703887104
36	128500242	1	M5 SCREW DIN916 SP	
13A	3004221	3	O-RING 16X2 NITRIL 70 SHORE	5701715039
24A	127130107	1	O-RING 11.5X1.9 SH70	5703887105

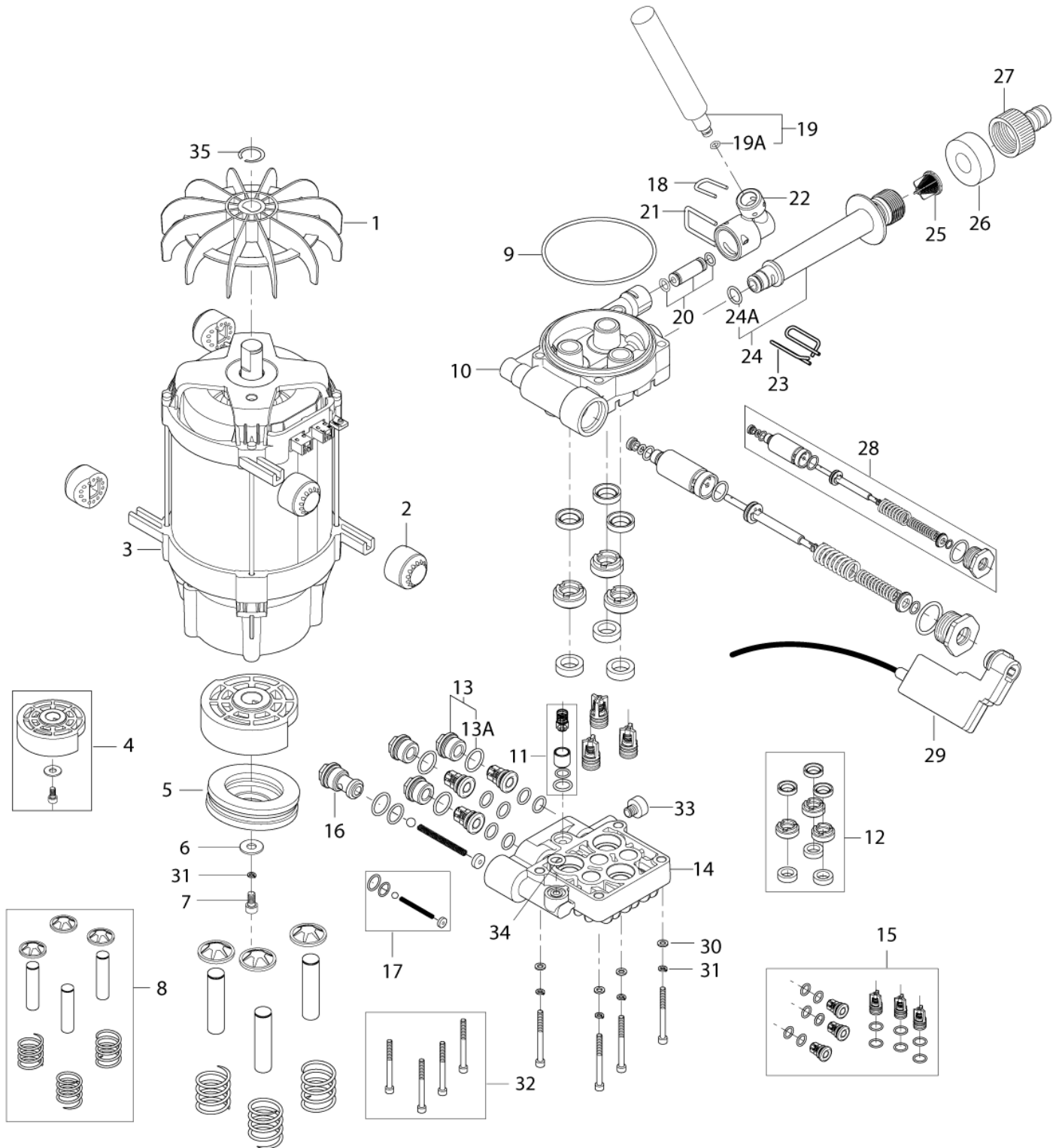
Motor pump unit X-tra

E140.2

01-06-2011

Part List ID
E130204

10



Motor pump unit X-tra

E140.2

01-06-2011

Part List ID
E130204

11

Pos	Part no.	Qty	Description	EAN
1	127500040	1	NEW FAN	5703887104
2	6524050	3	RACK FOR MOTOR	5701715261
3	127500039	1	MOTOR 2.1KW	5703887104
4	127500031	1	WOBBLE DISK 7.5 DEGREES 1,9KW 2,1KW	5703887104
5	127500032	1	THRUST BALL BEARING	5703887104
6	127130066	1	WASHER D22XD6.4X1.5	5703887102
7	3913	1	SCREW M6X12	4005337039
8	127500003	1	PISTON COMPLETE 3PCS	5703887102
9	127130080	1	O-RING 85X2.62 NR70	5703887102
10	127500004	1	CYLINDER GUIDE	5703887102
11	128342004	1	NON RETURN VALVE KIT OF NA1	5703887106
12	127500037	1	SEALING PARTS SYSTEM	5703887104
13	127500015	3	PLUG M18X1.5 WITH O-RING	5703887104
14	127500034	1	CYLINDER HEAD	5703887104
16	127500005	1	EASY START PLUG	5703887102
17	127440018	1	EASY START KIT	5703887106
18	6525619	1	LOCK BRACKET. SMALL	5701715342
19	127440231	1	CONNECTION HOSE	5703887104
20	127440019	1	REDUCTION D2 WITH O-RING KIT PH 60HZ	5703887106
20	127500007	1	REDUCTION WITH O-RING	5703887102
21	127500021	1	LOCK BRACKET	5703887104
22	127500047	1	NA1 X-TRA OUTLET	5703887104
23	126528532	1	LOCK BRACKET	5703887100
24	127500035	1	WATER INLET	5703887104
25	6526026	1	VALVE SYSTEM REPAIRE KIT	5701715124
25	6528574	1	WATER FILTER COMPLETE	5701715379
26	126486792	1	FOAM SEAL FOR OUTLET INLET	5701715398
27	1402809	1	QUICK COUPLING MALE	5701715008
28	127500052	1	S/S VALVE COMPLETE	5703887106
29	127500010	1	MICRO SWITCH BOX SYSTEM	5703887102
30	127500029	4	WASHER	5703887104
31	127500050	4	SPRING WASHER	5703887104
32	127500071	1	SCREW M6X70 DIN 912 4PCS	5703887104
33	3289	1	SET SCREW M8X10 DIN 913 B R	4005337032
34	3001211	1	O-RING 9.6X2.4 NITRIL 70SH	5701715037
34	6411218	1	BAG WITH 10 O-RINGS 3001211	5701715413
35	127500051	1	LOCK RING	5703887104
13A	3004221	3	O-RING 16X2 NITRIL 70 SHORE	5701715039
19A	3004108	1	O-RING 5.28X1.78 NITRIL 90 SH	5701715038
24A	127130107	1	O-RING 11.5X1.9 SH70	5703887105

Default accessories

E140.2

01-06-2011

Part List ID
E140206

12

No Drawing For Part List

Default accessories

E140.2

01-06-2011

Part List ID
E140206

13

Pos	Part no.	Qty	Description	EAN
1	106411386	1	WALL HOOK	5701715396
1	126481115	1	POWERSPEED GREEN	5703887101
1	126481117	1	PR TORNADO GREEN	5703887101
1	126481135	1	G4 LANCE COMPLETE	5703887102
1	126481139	1	HOSE 8M	5703887102
1	126481142	1	HOSE 9M X-TRA	5703887102
1	126481146	1	G4 GUN WITH INTER.TUBE	5703887102
1	6411132	1	CC FOAM SPRAYER W.BOTTLE	5701715255
1	6520844	1	CLEANING TOOL BLACK	5701715215