

E130.1

Model:

E 130.1-6

E 130.1-8

E 130.1-8 X-TRA

E 130.1-9 A X-TRA

E 130.1-9 P X-TRA

E 130.1-9 S X-TRA

E 130.1-9 X-TRA



Part List US-English

09-04-2011

Table of Contents

E130.1

Overview	3
Hose reel	5
Motor pump unit	7
Default accessories	9

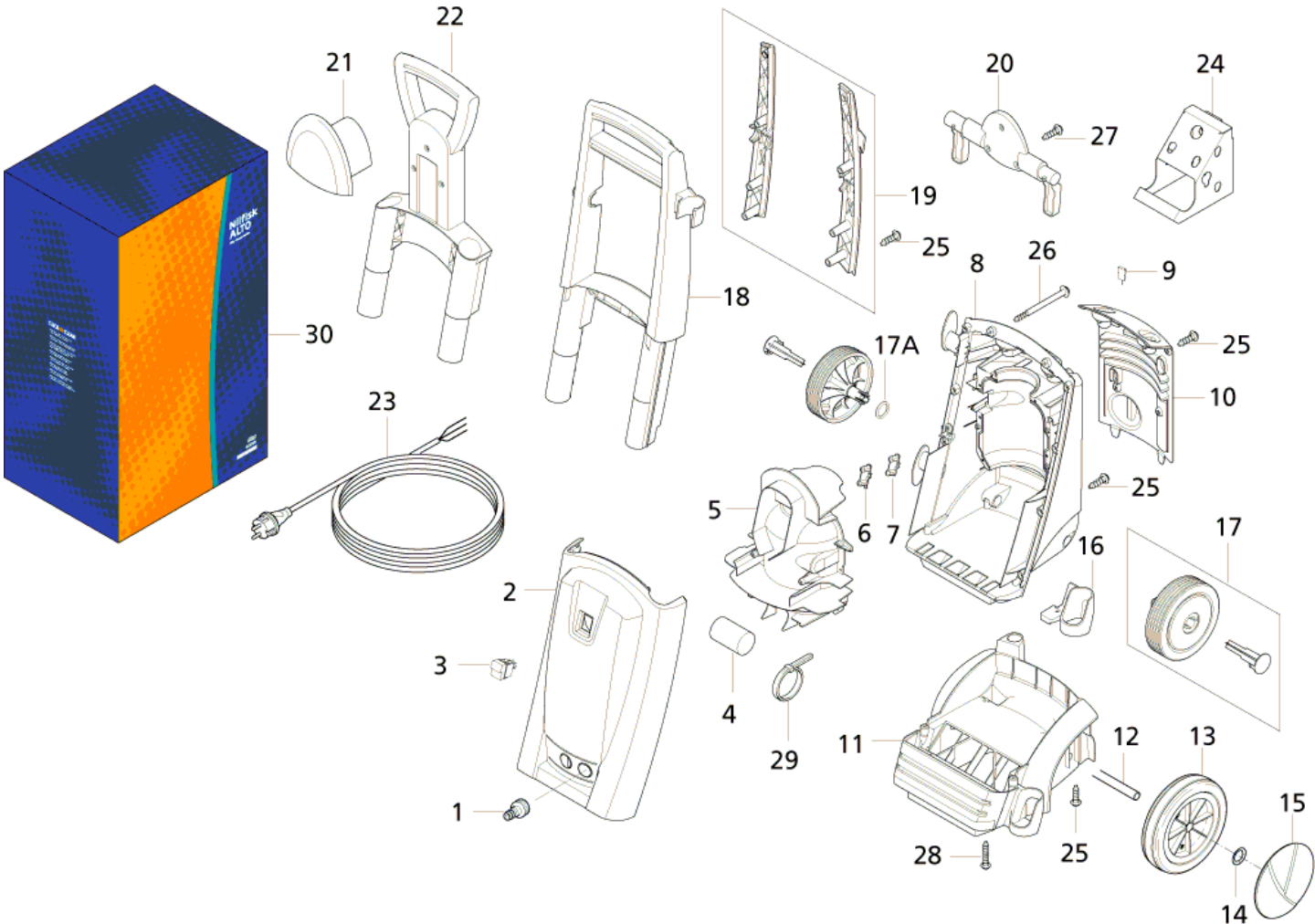
Overview

E130.1

09-04-2011

Part List ID
E130E14002

3



Overview

E130.1

09-04-2011

Part List ID
E130E14002

4

Pos	Part no.	Qty	Description	EAN
1	1402809	1	QUICK COUPLING MALE	5701715008
2	126486724	1	ALTO FRONT COVER	5701715398
3	61887	1	ON/OFF SWITCH SIGNAL LUX	4005337618
4	128307028	1	KIT CAPACITOR 25UF 500V	5703887105
5	126486704	1	MOTOR PUMP COVER	5701715398
6	126486726	1	PULL RELIEF 6-2	5701715398
7	126486727	1	PULL RELIEF 9-2	5701715398
8	126486707	1	CHASSIS	5701715398
9	6520844	1	CLEANING TOOL BLACK	5701715215
10	126486712	1	CHASSIS REAR COVER	5701715398
11	126486708	1	TROLLEY LOWER PART	5701715398
12	126486725	1	AXLE FOR WHEELS	5701715398
13	6526560	2	WHEEL. Ø12. 5 HOLE	5701715246
14	1814657	2	LOCK WASHER	5701715398
15	302000701	1	WHEEL CAP D115 A	4005337690
16	126486723	1	LOWER LANCE HOLDER	5701715398
17	126486709	2	SIMPLE WHEEL AND LOCK ALTO	Simple wheel 5701715398
18	126486717	1	TROLLEY HANDLE LARGE FRONT	5701715398
19	126486716	1	COVER FOR HANDLE RIGHT LEFT	5701715398
20	126486714	1	HOSE HOOK BAR	5701715398
21	126486715	1	HOSE HOOK FRONT	5701715398
22	126486713	1	TROLLEY HANDLE SMALL	5701715398
23	126481775	1	CABLE WITH PLUG EU	5703887100
23	126481776	1	CABLE WITH PLUG GB	5703887100
23	126481778	1	CABLE WITH PLUG	5703887100
23	126481779	1	CABLE WITH PLUG AUS/NZ	5703887100
24	106411386	1	WALL HOOK	5701715396
25	101814782	14	SCREW K50X18 WN 1451 TORX 20	4005337170
26	1814733	2	SCREW K50X50 TORX BLACK	5701715363
27	1814737	3	EJOT SCREW KB50X25 WN1412 BLACK	5701715347
28	1814722	2	SCREW K50X35 WN1451 TORX	5701715363
29	1800416	1	CABLE TIE 4.8 X188 PA6.6 BLACK	5701715007
30	126481155	1	BOX-10 PCS OF E130/E140	E130.1, E140.1 5703887102
30	126481156	1	BOX-10 PCS OF E130/E140	E130.1 X-TRA, E140.1 X-TRA 5703887102
30	126481157	1	BOX-10 PCS OF E130/E140	E130.1, E140.1 with simple wheel 5703887102
30	126481158	1	BOX-10 PCS OF E130.1-8 X-TRA	E130.1 X-TRA, E140.1 X-TRA with simple wheel 5703887102

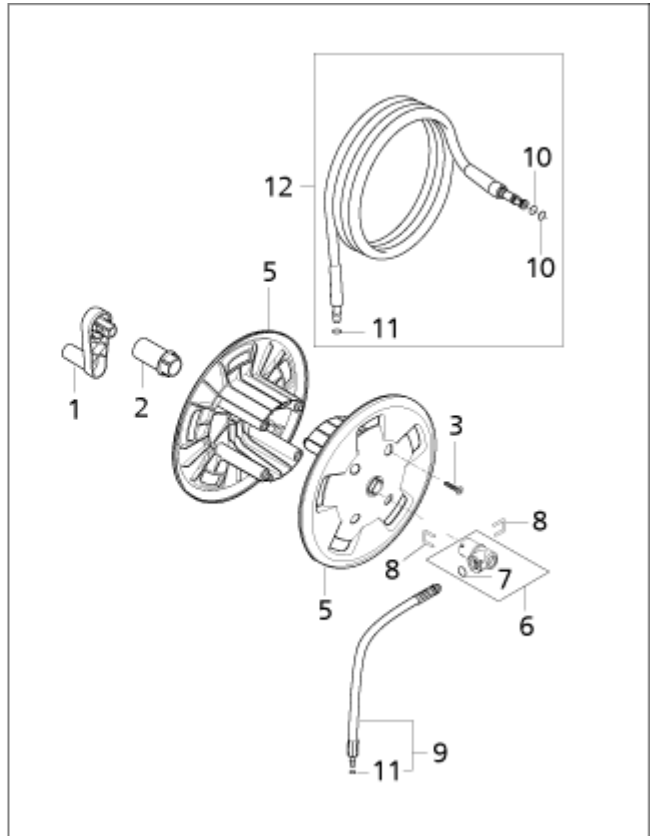
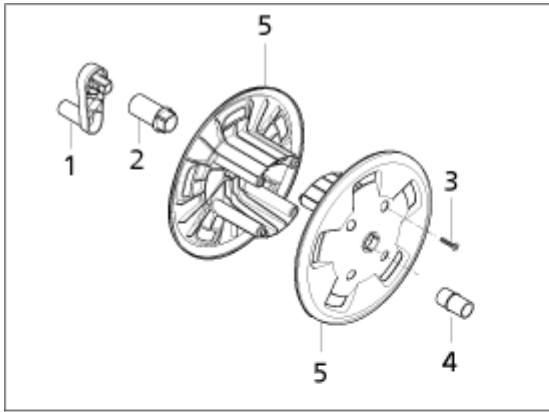
Hose reel

E130.1

09-04-2011

Part List ID
E130E14004

5



Hose reel

E130.1

09-04-2011

Part List ID
E130E14004

6

Pos	Part no.	Qty	Description	EAN
1	6528569	1	HOSE REEL HANDL	5701715379
2	6528571	1	ADAPTOR	5701715379
3	101814782	4	SCREW K50X18 WN 1451 TORX 20	4005337170
4	126486736	1	ADAPTOR FOR HOSE REEL	5701715398
5	126486719	1	HOSE REEL HALF PART	5701715398
6	6127006	1	CONNECTOR P12427 REP.KIT	5701715280
7	3002144	1	O-RING 14.3X2.4 NITRIL 70 SH	5701715038
8	6526487	2	LOCK BRACKET SS	5701715239
9	126486735	1	CONNECTION HOSE FOR HOSE REEL	5701715400
10	3004321	2	O-RING 10X2 ULTRATHAN	5701715280
11	3004304	2	O-RING 5.1X1.6 VITON SH 90	5701715269
12	126481142	1	HOSE 9M X-TRA	5703887102

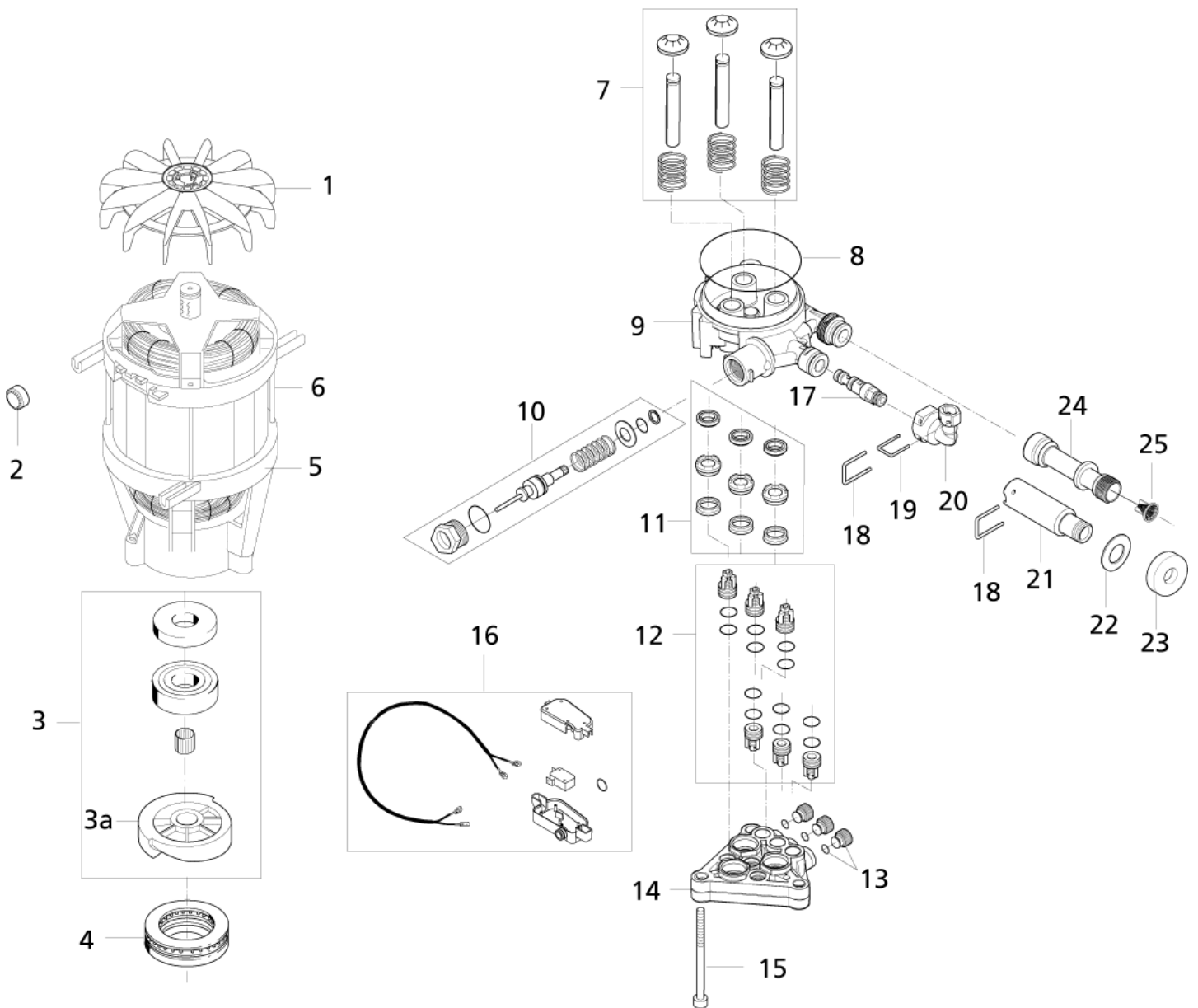
Motor pump unit

E130.1

09-04-2011

Part List ID
E130E14006

7



Motor pump unit

E130.1

09-04-2011

Part List ID
E130E14006

8

Pos	Part no.	Qty	Description	EAN
1	6524042	1	FAN P406	5701715313
2	6524050	4	RACK FOR MOTOR	5701715261
3	6526051	1	WOBBLE DISC 140BAR REP. KIT	5701715126
4	6122653	1	BEARING REP.KIT	5701715068
5	6524014	1	MOTOR 230/50 220/60 2.1KW	5701715378
6	106526209	3	STUD	5701715305
7	126486796	1	REP.KIT PISTON	5701715417
8	3003654	1	O-RING 80X2 NITRIL 70 SHORE	5701715038
9	6525598	1	CYLINDER BLOCK. ANODIZATION	5701715395
10	6526254	1	AUTOMATIC S/S VALVE	5701715379
11	6526018	1	SEAL SYSTEM SPARE PART	5701715124
12	6526026	1	VALVE SYSTEM REPAIR KIT	5701715124
13	6526252	1	PLUG KIT 3 PCS	5701715395
14	6525592	1	CYLINDER HEAD. IMPREGNATED	5701715395
15	1814597	3	SCREW M8X70 DIN 912-8.8	5701715124
16	126486793	1	S/S MICROSWITH WITH CABLE	5701715398
17	6526253	1	INJECTOR COMPL.	5701715395
18	6528458	1	LOCK BRACKET	5701715342
19	6525619	1	LOCK BRACKET. SMALL	5701715342
20	126486791	1	WATER OUTLET FOR HOSE REEL	5701715398
21	126486794	1	WATER OUTLET AL U	5701715398
22	1803196	1	PLANE DISC M20	5701715398
23	126486792	2	FOAM SEAL FOR OUTLET INLET	5701715398
24	126486705	1	WATER INLET PIPE	5701715398
25	6528574	1	WATER FILTER COMPLETE	5701715379
3A	6125126	1	WOBBLE DISC MACHINED F	5701715413

Default accessories

E130.1

09-04-2011

Part List ID
E130E14008

9

No Drawing For Part List

Default accessories

E130.1

09-04-2011

Part List ID
E130E14008

10

Pos	Part no.	Qty	Description		EAN
1	106411326	1	RIM BRUSH	E140.1 - A models	5701715302
1	106411386	1	WALL HOOK	S models	5701715396
1	126411376	1	PATIO CLEANER PLUS ACC	P models	5703887103
1	126481142	1	HOSE 9M X-TRA	X-TRA	5703887102
1	126486740	1	SPRAY HANDLE WITH HOSE 6M		5701715400
1	126486741	1	SPRAY HANDLE WITH HOSE 8M		5701715400
1	126486742	1	SPRAY HANDLE WITH HOSE 9M		5701715400
1	126486743	1	SPRAY HANDLE WITH HOSE 10M		5701715400
1	126486746	1	SPRAY HANDLE 9M FOR HOSE REEL	X-TRA	5701715400
1	126486747	1	HOSE COMPLETE 8M		5701715400
1	126486748	1	HOSE COMPLETE 12M		5701715400
1	126486749	1	HOSE COMPLETE 9M FOR HOSE REEL		5701715400
1	6411131	1	AUTOBRUSH ALONE	E130-1 - A models	5701715255
1	6411132	1	CC FOAM SPRAYER W.BOTTLE		5701715255
1	6411133	1	C POWERSPEED NOZZLE		5701715255
1	6411715	1	NOZZLE TUBE WITH O-RING		5701715264
1	6411761	1	C TORNADO PR 1 E130	E130.1	5701715342
1	6411762	1	C TORNADO PR 2	E140.1	5701715342
1	6520844	1	CLEANING TOOL BLACK		5701715215