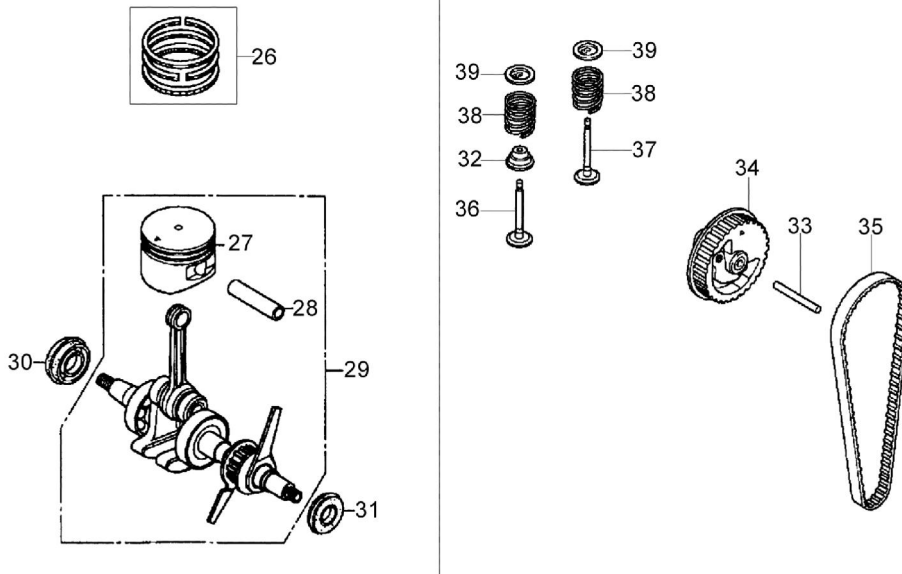
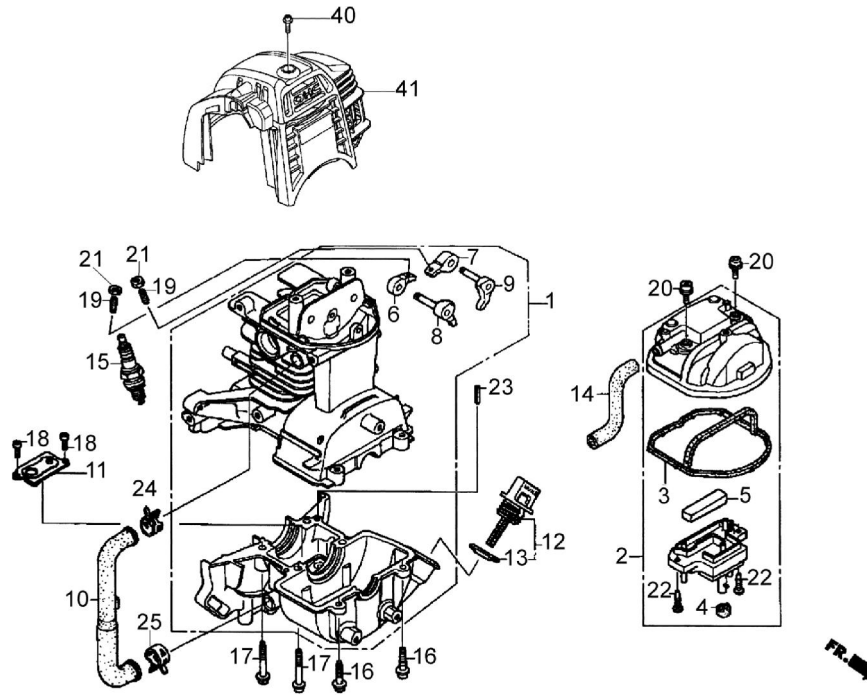


DS 2600 4T Brushcutter - Engine

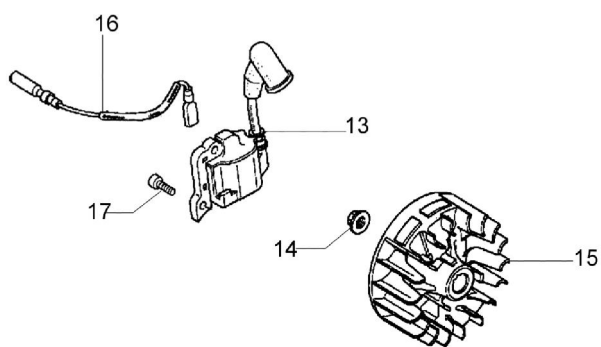
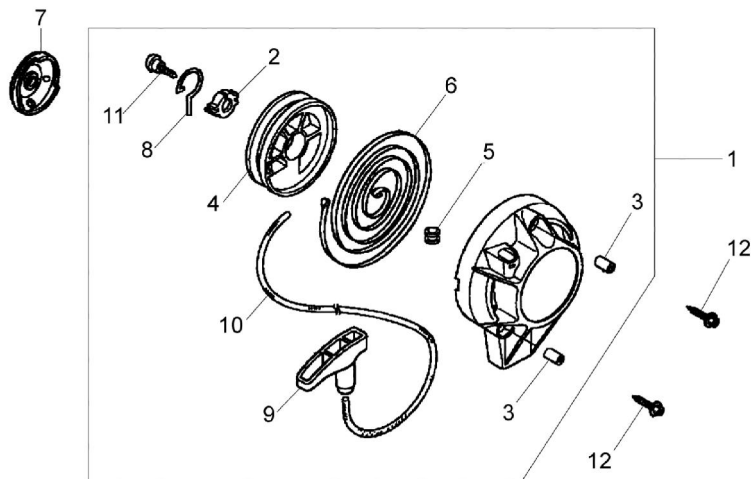


DS 2600 4T Brushcutter - Engine



Ref.Nu	Qty	Part number	Description	Validity from	Validity till	Notes	Bulletin
1	1	H10100Z3E405	Crankcase assy				
2	1	H12310Z0H010	Cover				
3	1	H12312Z0H300	Gasket				
4	1	H12314Z0H300	Bushing				
5	1	H12367Z0H000	Breather valve				
6	1	H14431Z0H003	Arm				
7	1	H14441Z0H003	Arm				
8	1	H14730Z0H000	Lifter				
9	1	H14740Z0H000	Lifter				
10	1	H15422Z0H000	Oil line				
11	1	H15510Z3E000	Valve				
12	1	H15600Z0T800	Cap				
13	1	H15625Z0T800	Gasket				
14	1	H15721Z0H000	Hose				
15	1	H31915Z0H003	Spark plug				
16	2	H90009Z0H003	Bolt				
17	4	H90010Z0Z003	Bolt				
18	2	H90013Z0H004	Screw				
19	2	H90017Z0H000	Screw				
20	2	H90019Z0H003	Screw				
21	2	H90206ZM3000	Bolt				
22	2	H9390134320	Screw				
23	1	H9430540102	Elastic pin				
24	1	H950024120008	Clamp				
25	1	H950024130004	Clamp				
26	1	H13010Z0H000	Piston rings				
27	1	H13101Z0H000	Piston				
28	1	H13111Z0H000	Piston pin				
29	1	H13310Z0H020	Crankshaft				
30	1	H91211Z3E000	Seal ring				
31	1	H91212Z3E003	Seal ring				
32	1	H12209Z3E000	Seal ring				
33	1	H14126Z0H003	Roller				
34	1	H14320Z0H000	Pulley				
35	1	H14400Z0H003	Belt				
36	1	H14711Z0H800	Valve				
37	1	H14721Z0H800	Valve				
38	2	H14751Z0H000	Spring				
39	2	H14771Z0H000	Clamp				
40	1	H90015ZH0003	Screw				
41	1	H19720Z0H000ZD	Cover				

DS 2600 4T Brushcutter - Starter Assy

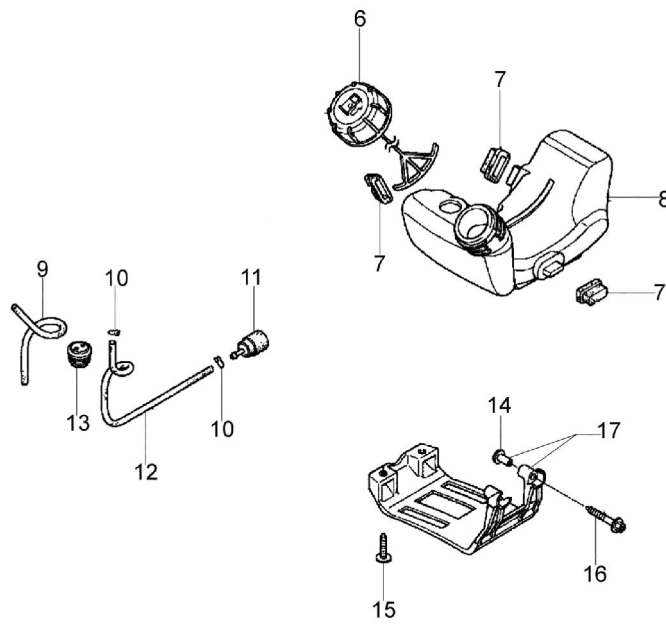
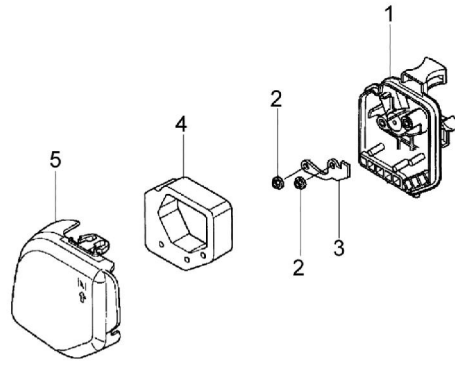


DS 2600 4T Brushcutter - Starter assy



Ref.Nu	Qty	Part number	Description	Validity from	Validity till	Notes	Bulletin
1	1	H28400Z0H003	Starter assy				
2	1	H91504ZM3003	Clamp				
3	3	H91506ZM3000	Bushing				
4	1	H28421Z0H003	Pulley				
5	1	H28433ZM3003	Bushing				
6	1	H28442Z0H003	Spring				
7	1	H28451Z0H003	Pulley				
8	1	H28459Z0H003	Clip				
9	1	H28461ZM3003	Handle				
10	1	H28462ZM3003	Rope				
11	1	H90012ZM3003	Screw				
12	3	H90018Z0H003	Screw				
13	1	H30500Z3E003	Ignition coil				
14	1	H90355427770	Nut				
15	1	H31110Z3E003	Rotor				
16	1	H32195Z0H000	Cable				
17	2	H90012Z0H005	Screw				

DS 2600 4T Brushcutter - Fuel tank

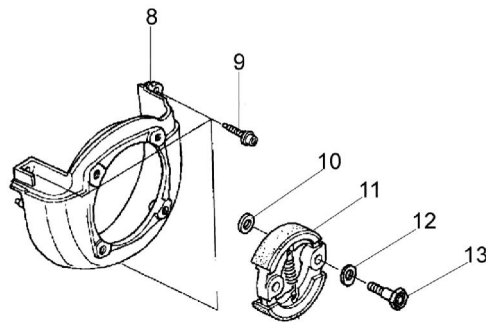
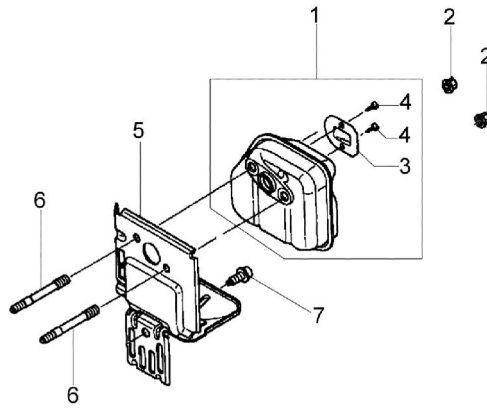


DS 2600 4T Brushcutter - Fuel tank



Ref.Nu	Qty	Part number	Description	Validity from	Validity till	Notes	Bulletin
1	1	H17220Z0H000	Filter support				
2	2	H9405005000	Nut				
3	1	H17204Z0H000	Air lever				
4	1	H17211Z0H000	Air filter				
5	1	H17231Z0H000	Air filter cover				
6	1	H17620ZM3816	Fuel cap				
7	1	H17533Z0H000	Grommet				
8	1	H17511Z0H023	Fuel tank				
9	1	H17702Z0H003	Fuel line				
10	1	H91401ZM3003	Hose clamp				
11	1	H17672Z0H003	Fuel filter				
12	1	H17701Z0H003	Fuel line				
13	1	H17504ZM3003	Bush				
14	1	H91501Z0H000	Spacer				
15	2	H90018Z0H003	Screw				
16	2	H90010Z0H003	Screw				
17	1	H17555Z0H010	Stand				

DS 2600 4T Brushcutter - Muffler

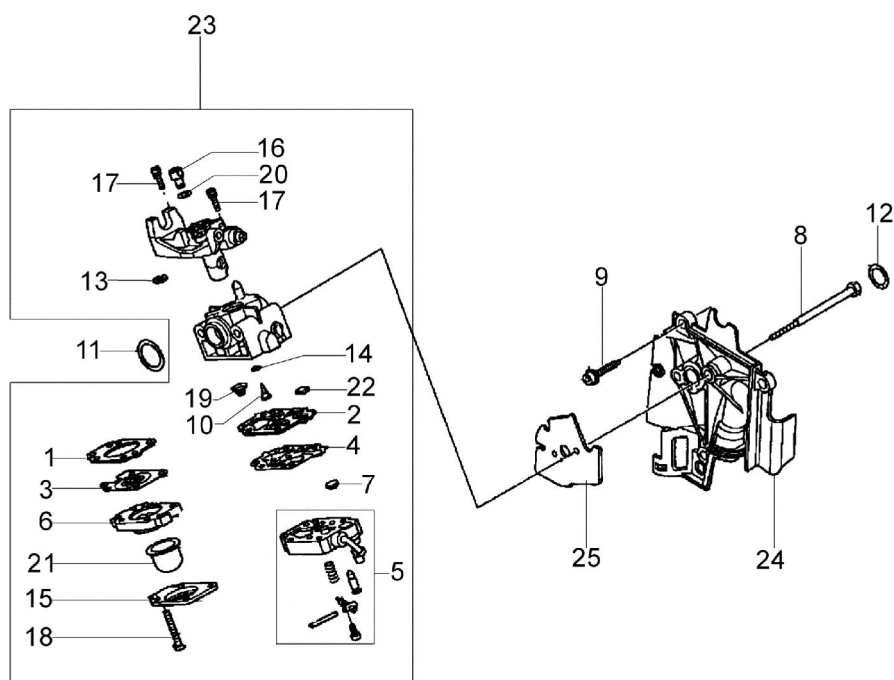


DS 2600 4T Brushcutter - Muffler



Ref.Nu	Qty	Part number	Description	Validity from	Validity till	Notes	Bulletin
1	1	H18310Z0H800	Muffler				
2	2	H90136SM4901	Nut				
3	1	H18350Z0H800	Net				
4	2	H90055ZE1000	Screw				
5	1	H18515Z0H000	Support				
6	2	H90001Z0H003	Bolt				
7	1	H90011Z0H003	Bolt				
8	1	H19611Z0H000	Cover				
9	3	H90009Z0H003	Bolt				
10	2	H22254Z3E000	Washer				
11	1	H22000ZM3003	Clutch				
12	2	H22255Z3E000	Washer				
13	2	H22253Z3E000	Bolt				

DS 2600 4T Brushcutter - Carburetor WYB 6D

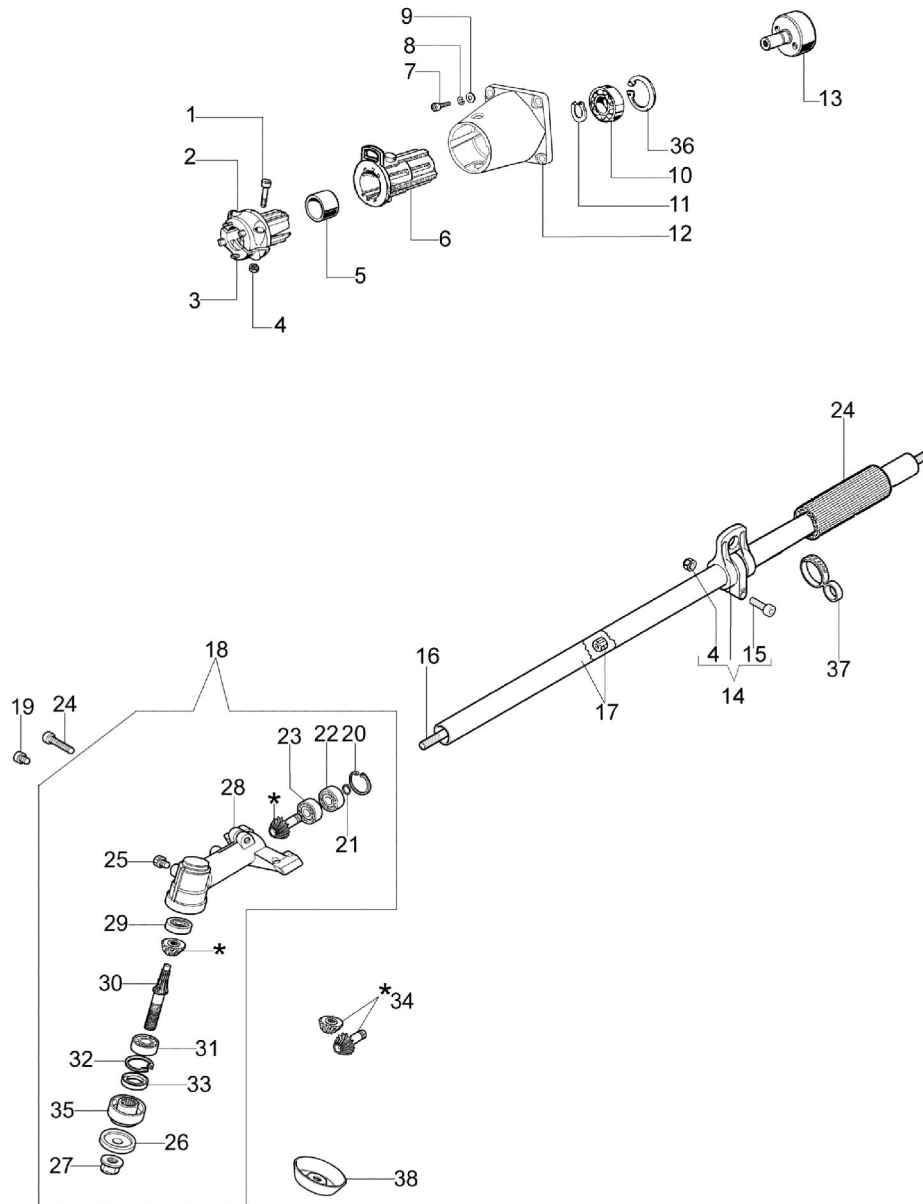


DS 2600 4T Brushcutter - Carburetor WYB 6D



Ref.Nu	Qty	Part number	Description	Validity from	Validity till	Notes	Bulletin
1	1	H16010ZM3004	Gasket				
2	1	H16011Z0H013	Gasket				
3	1	H16013Z0H003	Diaphragm				
4	1	H16014ZM3004	Diaphragm pump				
5	1	H16015Z0H013	Pump body				
6	1	H16017ZM3004	Air purge body				
7	1	H16018ZM3802	Filter				
8	2	H90014Z0H003	Bolt				
9	3	H90018Z0H003	Screw				
10	1	H99101ZM50340	Jet				
11	1	H91301ZM3000	O-ring				
12	1	H91308Z3E000	O-ring				
13	1	H16024Z0H003	Retainer washer				
14	1	H16025ZM3004	O-ring				
15	1	H16026ZM3004	Cover				
16	1	H16027ZM3004	Adjuster nut				
17	2	H16028ZM3004	Screw				
18	4	H16029ZM3004	Screw				
19	1	H16030ZM3004	Spring				
20	1	H16031ZM3004	Washer				
21	1	H16032ZM3004	Primer				
22	1	H16035ZM3802	Filter				
23	1	H16100Z0H043	Carburetor WYB 6D				
24	1	H19631Z0H000	Insulator				
25	1	H16221Z0H000	Gasket				

DS 2600 4T Brushcutter - Transmission

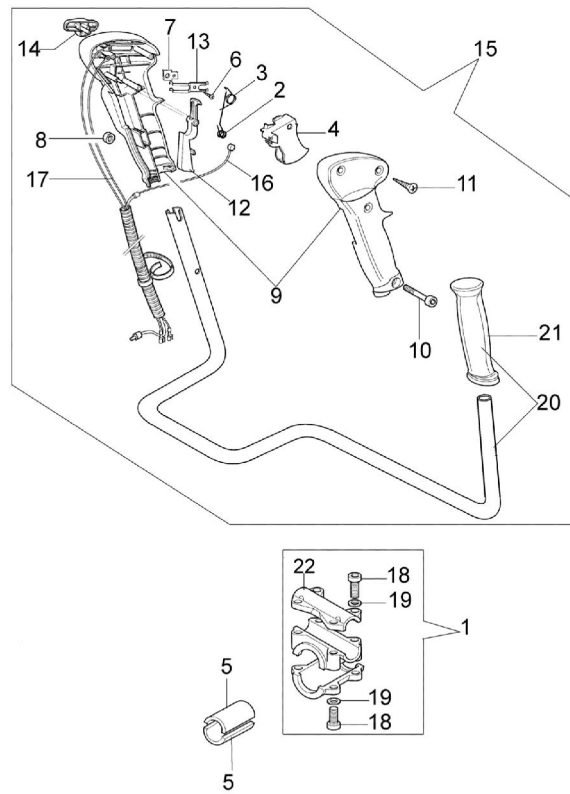


DS 2600 4T Brushcutter - Transmission



Ref.Nu	Qty	Part number	Description	Validity from	Validity till	Notes	Bulletin
1	2	3801016R	Screw				
2	1	61170084	Adaptor				
3	1	61170085	Adaptor				
4	2	3914003R	Nut				
5	1	61170086	Bushing				
6	1	4161428	Sleeve				
7	4	3801021	Screw				
8	4	3819010	Washer				
9	4	3916006	Washer				
10	1	3035023R	Bearing				
11	1	3024012	Ring				
12	1	630900202R	Cover				
13	1	61200032R	Clutch drum				
14	1	61170175R	Band				
15	1	3801015	Screw				
16	1	61170075R	Drive shaft				
17	1	61072047R	Tube Ø24				
18	1	61170066AR	Bevel gear Ø24				
19	1	3901008R	Screw				
20	1	3025026	Ring				
21	1	3024009R	Ring				
22	1	3035044	Bearing				
23	1	3035043	Bearing				
24	1	4162154B	Knob				
25	1	3906030	Screw				
26	1	61170124	Thrust washer				
27	1	3933105	Nut				
28	1	61170119AR	Gear case				
29	1	3035045R	Bearing				
30	1	61170122	Shaft				
31	1	3034008	Bearing				
32	1	3025018R	Ring				
33	1	61170134	Seal ring				
34	1	61170135	Bevel gear set				
35	1	61170123	Hub				
36	1	3025019	Ring				
37	2	61170132R	Grommet				
38	1	61110074R	Guard				

DS 2600 4T Brushcutter - Handle

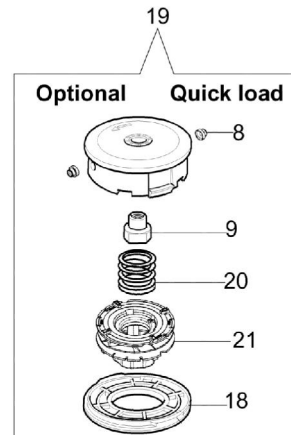
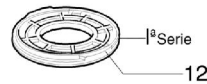
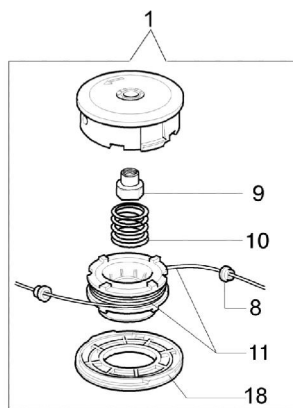
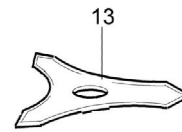
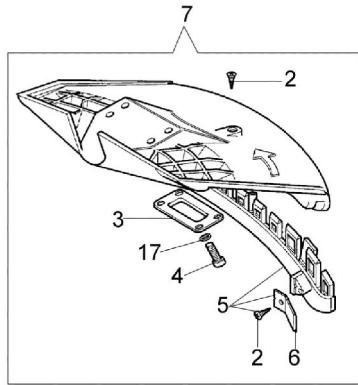
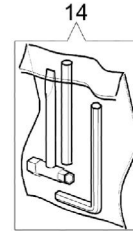
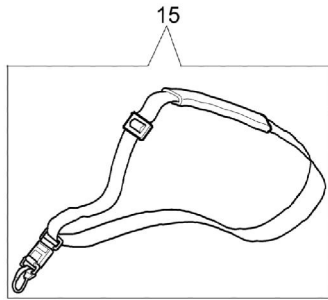


DS 2600 4T Brushcutter - Handle



Ref.Nu	Qty	Part number	Description	Validity from	Validity till	Notes	Bulletin
1	1	074000183AR	Clamp	06/2011			BT3-106-04/11
2	1	61170096	Spring				
3	1	61170095	Spring				
4	1	61170091	Throttle lever				
5	2	61170072	Shock absorber				
6	1	3960061AR	Screw				
7	1	61170113	Plate				
8	2	3914003R	Nut				
9	1	61072048	Handle kit				
10	1	3801016R	Screw				
11	3	3960067AR	Screw				
12	1	61170092	Lever				
13	1	61170093	Plate				
14	1	61170094	Slide control				
15	1	61272017R	Handlebar				
16	1	61270012R	Throttle cable				
17	1	61270011R	Cable				
18	4	3801013R	Screw				
19	4	3819006R	Washer				
20	1	61072037R	Handlebar				
21	1	61040140R	Knob				
22	1	072700264CR	Clamp	06/2011			BT3-106-04/11

DS 2600 4T Brushcutter - Accessories



DS 2600 4T Brushcutter - Accessories



Ref.Nu	Qty	Part number	Description	Validity from	Validity till	Notes	Bulletin
1	1	61172019A	Compl. nylon head Ø2,4				
2	2	3960040R	Screw				
3	1	61240161R	Plate				
4	4	3801010R	Screw				
5	1	4179113A	Skirt w/blade				
6	1	4174275R	Blade				
7	1	61072044A	Guard				
8	1	4199005A	Bushing				
9	1	61110076	Insert				
10	1	4199004	Spring				
11	1	4199014A	Nylon spool Ø2,4				
12	1	4199026B	Cover				
13	1	4199046	Cover				
14	1	61170181	Tool kit				
15	1	4160463AR	Harness				
16	1	61262006	Labels set				
17	4	3819006R	Washer				
18	1	4095673AR	Disk				