



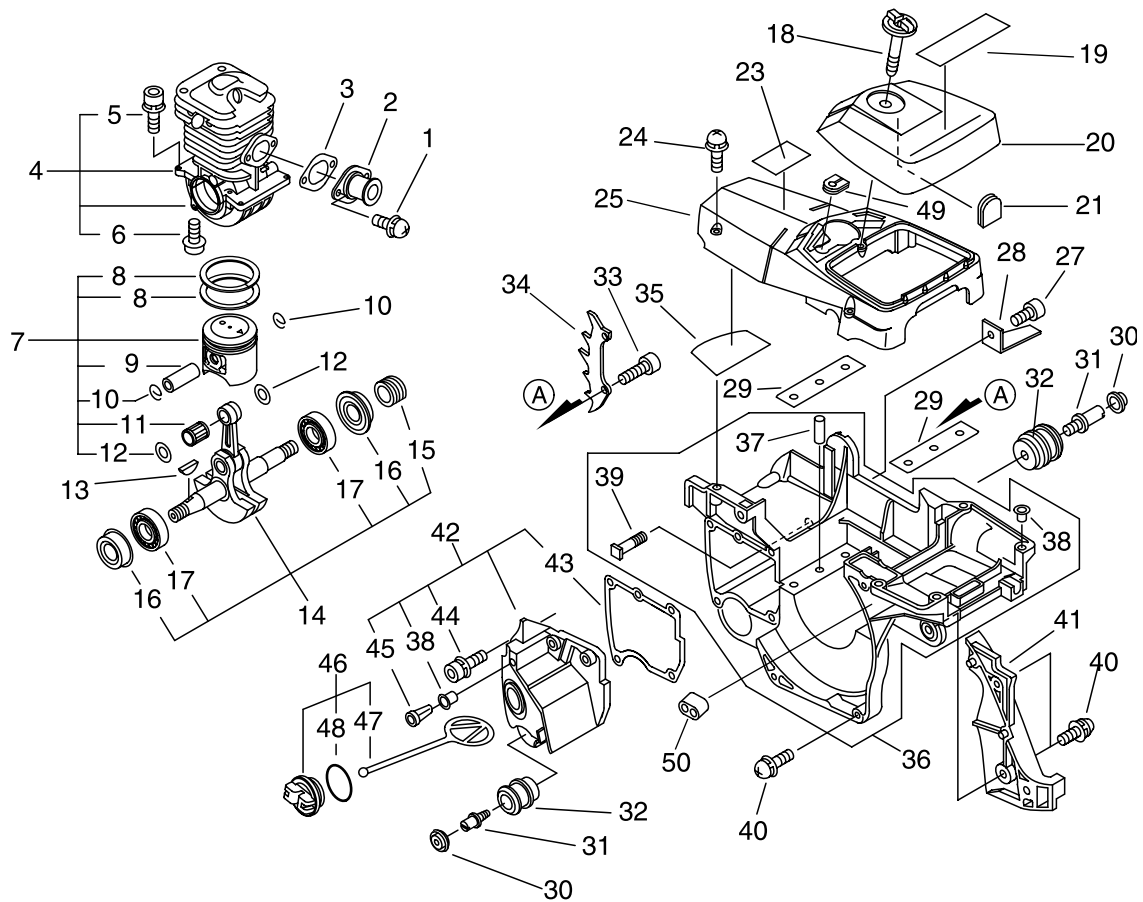
# **PARTS CATALOG**

## **CHAIN SAW**

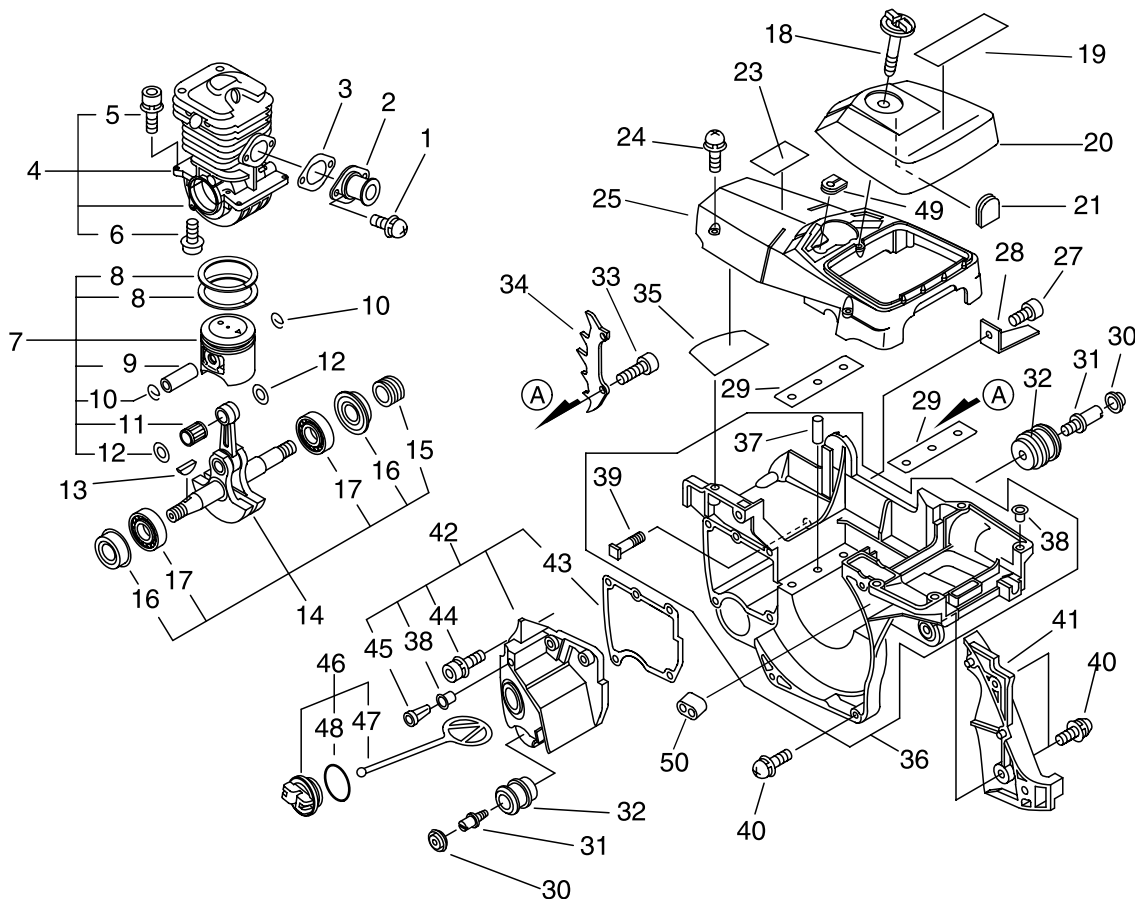
### **CS-510**

ISSUED:2011/01/26

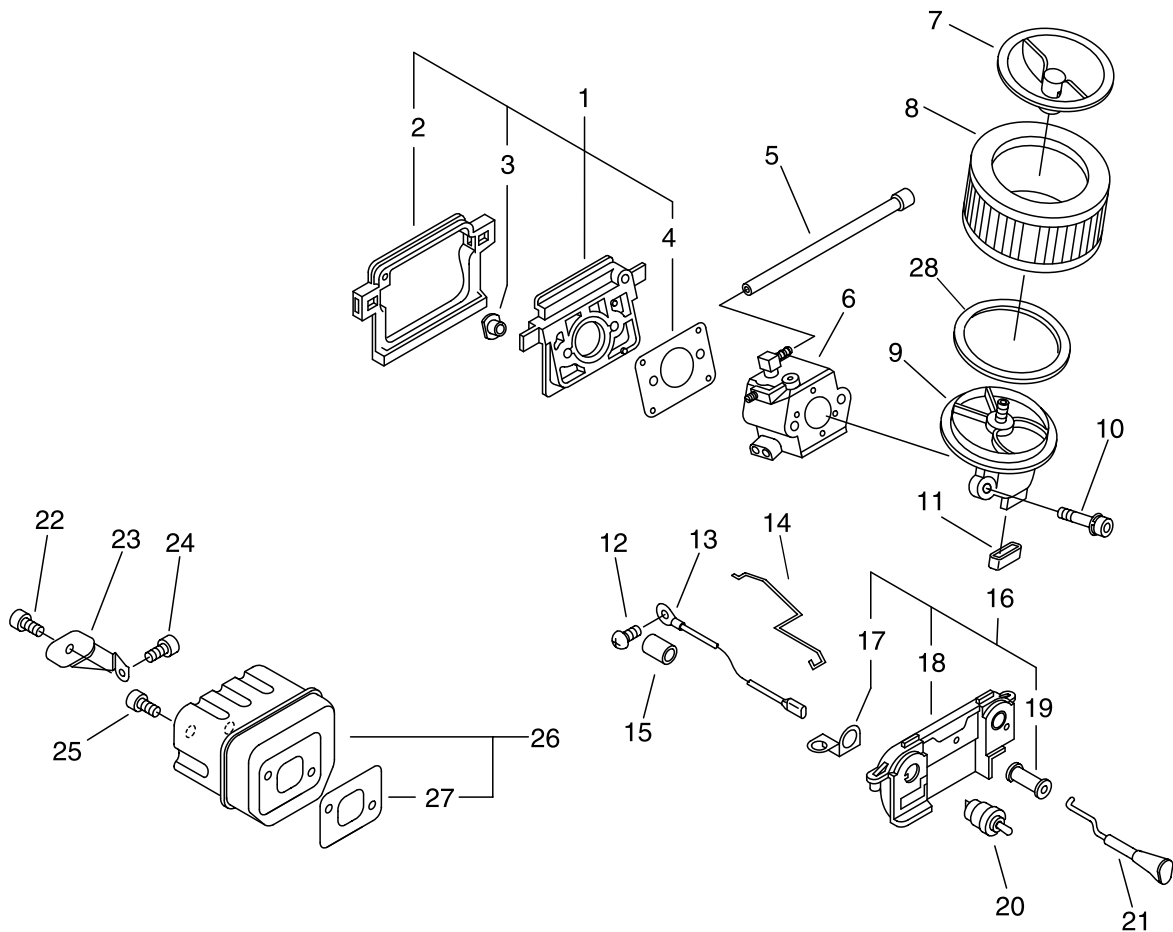
**P014-001220-11Bb**



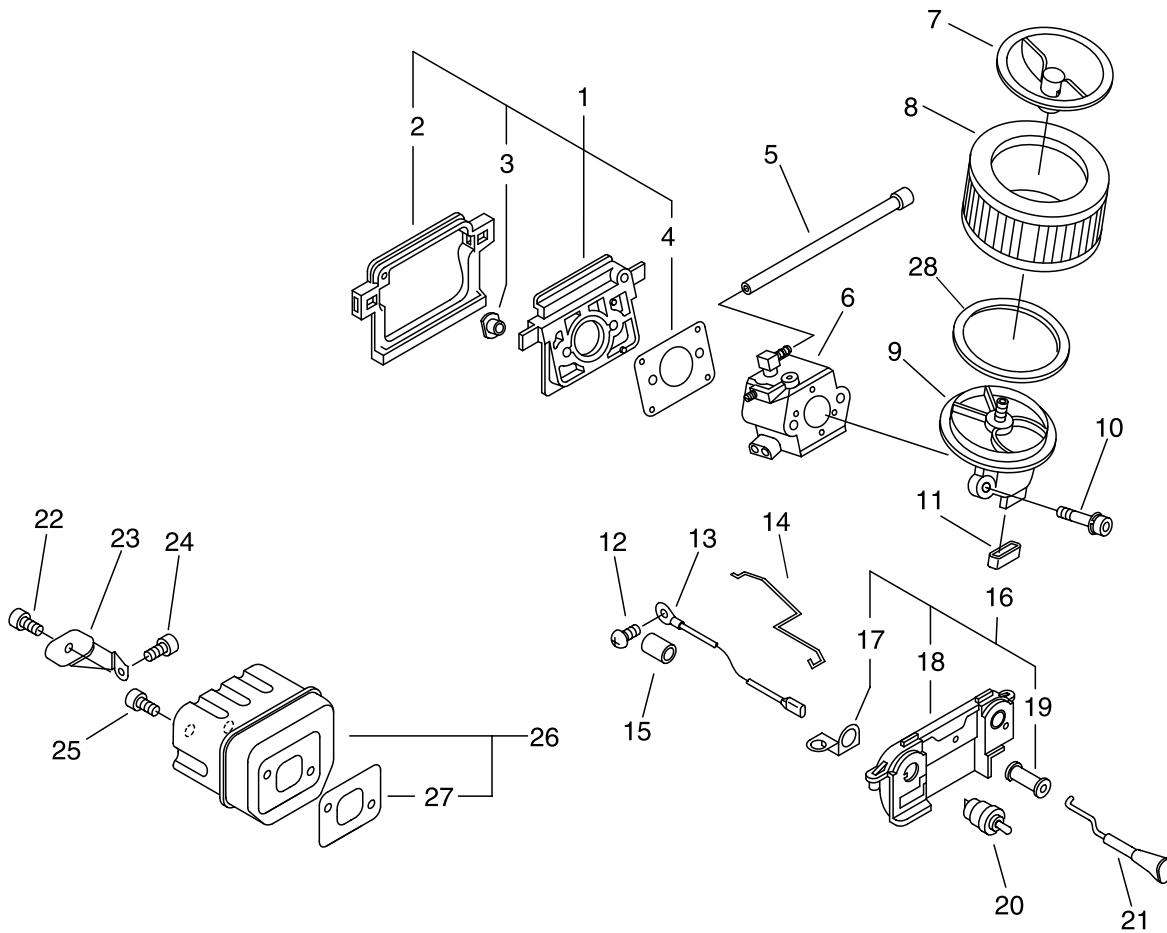
KEY	LV	PART NUMBER	Q'TY	DESCRIPTION	REMARKS
1		900238-05012	2	SCREW 5*12	
2		130510-39932	1	ADAPTER, INTAKE	
3		130016-39930	1	GASKET, INTAKE	
4		P021-004092	1	CRANKCASE SET	
5	+	V203-000170	4	BOLT,5	
6	+	900106-05020	4	BOLT, H.S. 5*20	
7		P021-001064	1	PISTON KIT	
8	+	100011-39731	2	RING, PISTON	
9	+	V609-000000	1	PIN,ENG 11	
10	+	100015-32330	2	CIRCLIP, PISTON PIN	
11	+	V556-000000	1	BEARING,NEEDLE 11	
12	+	V308-000010	2	WASHER,CIRCULAR 11	
13		100142-30830	1	KEY, WOODRUFF	
14		P021-001073	1	CRANKSHAFT,ASSY	
15	+	V652-000080	1	GEAR,WORM	
16	+	V508-000000	2	SEAL,OIL 15	
17	+	900810-36202	2	BEARING, BALL 6202	
18		A235-000020	1	KNOB,CLEANER LID	
19		X503-008310	1	LABEL,MODEL	
20		A232-000023	1	LID,CLEANER	
21		130338-32430	1	PLUG, COVER	
23		890345-39230	1	LABEL,CAUTION	
24		163890-38330	3	BOLT, 5	
25		A160-000102	1	COVER,CYLINDER	



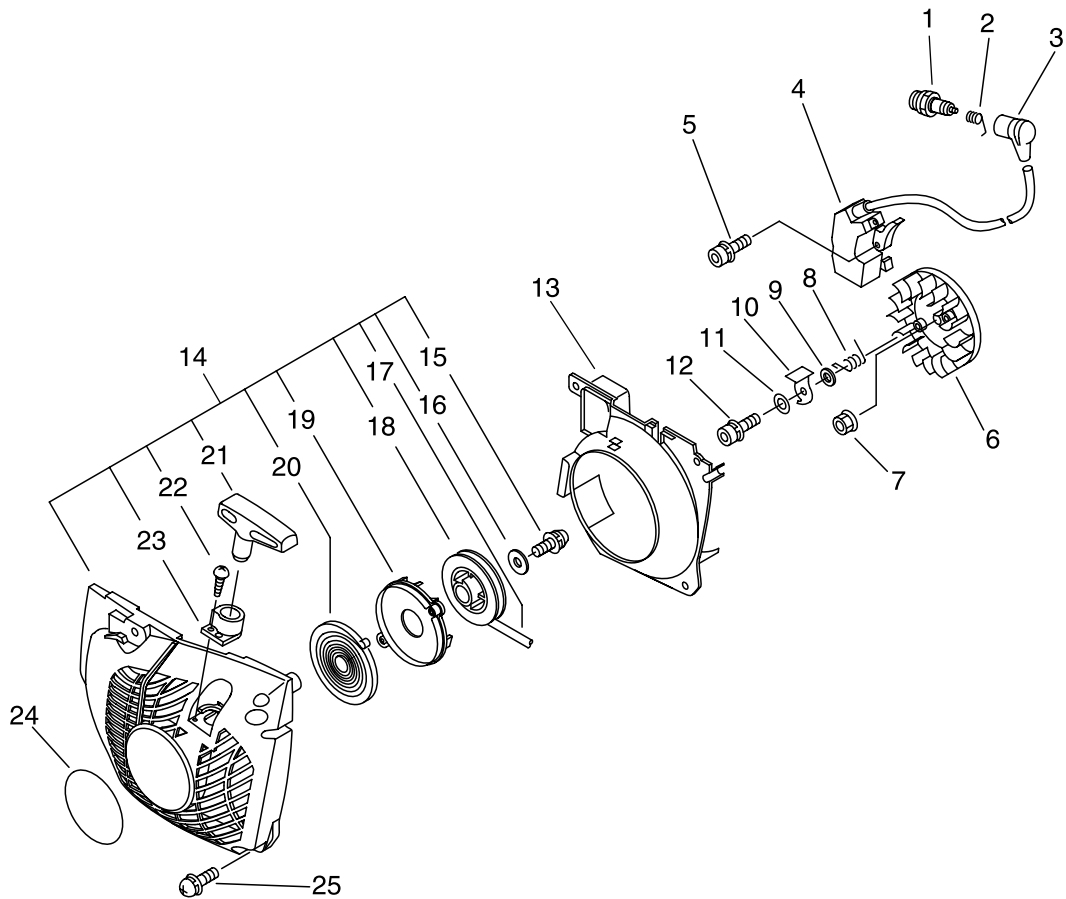
KEY	LV	PART NUMBER	QTY	DESCRIPTION	REMARKS
27		900162-05014	1	BOLT, H.S. 5*14	
28		C310-000000	1	CATCHER, CHAIN	
29		V150-001740	2	PLATE, EYE	
30		100918-38330	2	CAP, CUSHION	
31		100915-33930	2	SCREW	
32		100921-38330	2	CUSHION	
33		900105-05012	2	BOLT, H.S. 5*12	
34		C304-000030	1	SPIKED	
35		101520-35430	1	COVER	
36		P021-012471	1	COVER ENGINE	
37	+	100215-03930	2	PIN, DOWEL	
38	+	436018-38330	2	PIN, DOWEL	
39	+	433011-19830	2	STUD, GUIDE BAR	
40		900238-05016	3	SCREW 5*16	
41		C300-000321	1	GUARD, SPROCKET	
42		P021-012550	1	TANK, OIL	
38	+	436018-38330	1	PIN, DOWEL	
43	+	436019-38330	1	GASKET, OIL TANK	
44	+	900162-04016	3	BOLT, H.S. 4*16	
45	+	436114-13930	1	VALVE, CHECK	
46		P021-007630	1	CAP ASY, TANK	
47	+	A365-000050	1	CONNECTOR, CAP	
48	+	900721-00025	1	O-RING 25	
49		V135-000010	1	GROMMET, HT CORD	
50		129010-33330	1	GROMMET	



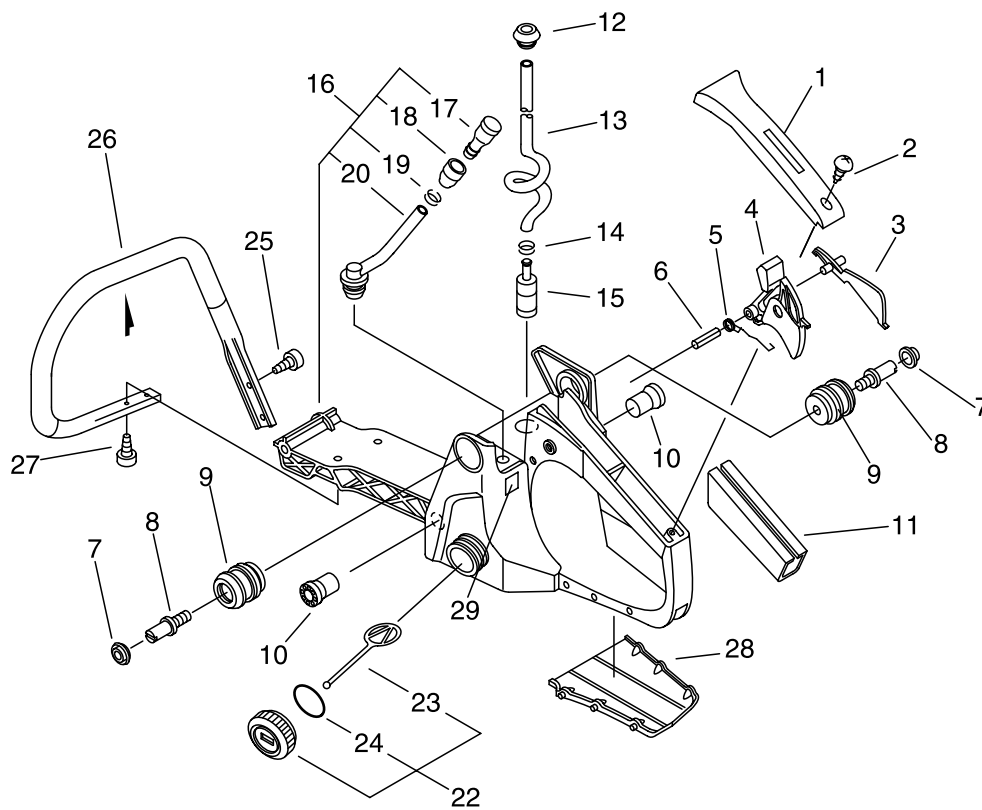
KEY	LV	PART NUMBER	Q'TY	DESCRIPTION	REMARKS
1		130000-38331	1	INSULATOR ASY,INTAKE	
2	+	V420-001130	1	CUSHION	
3	+	130020-33330	2	NUT	
4	+	130010-38330	1	GASKET, INTAKE	
5		130110-38330	1	PIPE, IMPULSE	
6		A021-000562	1	CARBURETTOR	
7		130405-38332	1	BRACKET, AIR CLEANER	
8		A226-000040	1	ELEMENT,AIR FILTER	
9		A204-000004	1	ELBOW,CARBURETOR	
10		900162-05050	2	BOLT, H.S. 5*50	
11		130430-38330	1	CUSHION	
12		900220-04006	1	SCREW 4*6	
13		162010-38332	1	LEAD, GROUND	
14		C454-000150	1	ROD, THROTTLE	
15		C483-000000	1	BOOT,CONNECTOR	
16		163804-38935	1	BRACKET, SWITCH	
17	+	163413-38930	1	PLATE, SWITCH	
18	+	163810-38933	1	BRACKET, SWITCH	
19	+	178810-14534	1	GROMMET	
20		163400-38330	1	SWITCH, IGNITION	
21		A241-000101	1	KNOB, CHOKE	
22		91100-06008	1	BOLT	
23		A319-000080	1	STAY, MUFFLER	
24		900105-06014	1	BOLT, H.S. 6*14	



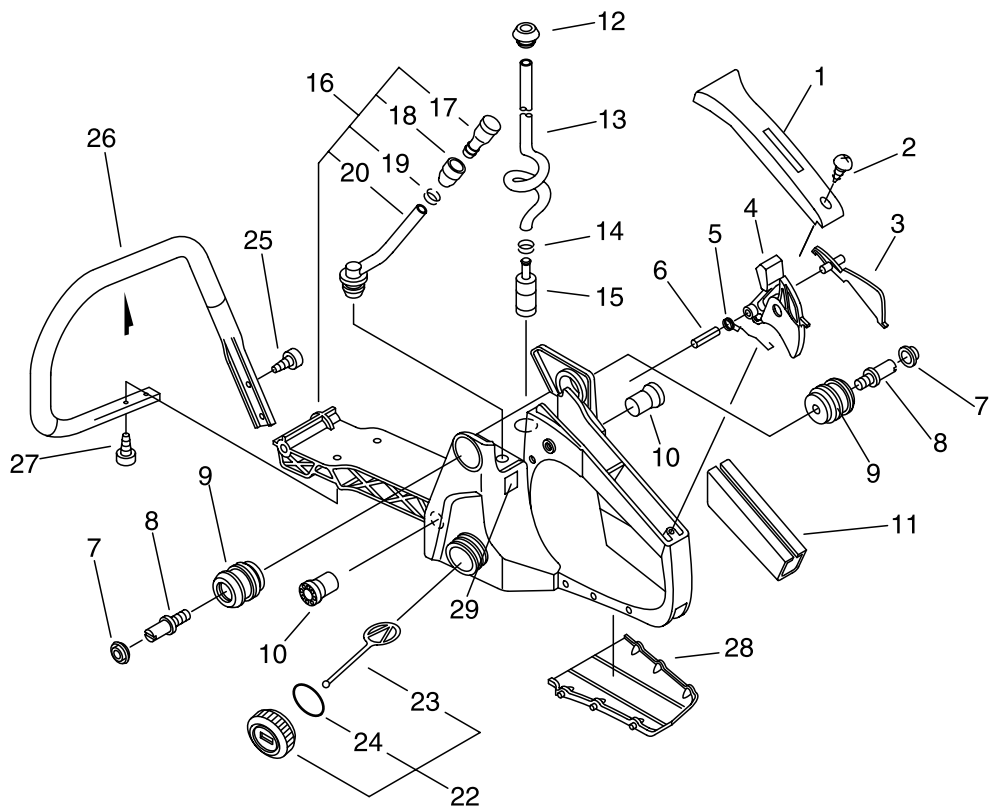
KEY	LV	PART NUMBER	Q'TY	DESCRIPTION	REMARKS
25		900105-05014	2	BOLT, H.S. 5*14	
26		P021-013461	1	MUFFLER ASY	
27	+	145510-35431	1	GASKET, MUFFLER	
28		V540-000110	1	SEAL,CIRCULAR	



KEY	LV	PART NUMBER	Q'TY	DESCRIPTION	REMARKS
1		A425-000000	1	SPARKPLUG	
2		A426-000010	1	TERMINAL, SPARKPLUG	
3		A427-000013	1	CAP, SPARK PLUG	
4		A411-000031	1	COIL, IGNITION	
5		900162-04030	2	BOLT, H.S. 4*30	
6		A409-000030	1	ROTOR, MAGNETO	
7		900515-00008	1	NUT, FLANGE 8	
8		177234-35430	2	SPRING, RETURN	
9		900603-00005	2	WASHER 5	
10		177218-19830	2	PAWL, STARTER	
11		177247-04630	2	SPACER, RATCHET	
12		V203-000090	2	BOLT, 5	
13		A172-000062	1	COVER, FAN	
14		P021-013482	1	STARTER ASY	
15	+	900238-05012	1	SCREW 5*12	
16	+	177214-02830	1	WASHER	
17	+	177226-19830	1	ROPE, STARTER	
18	+	A506-000100	1	REEL, ROPE	
19	+	177221-35430	1	PLATE, STARTER	
20	+	177220-35430	1	SPRING, REWIND	
21	+	177228-35431	1	GRIP, STARTER	
22	+	900296-03014	1	SCREW 3*14	
23	+	177227-37930	1	GUIDE, ROPE	
24		X502-000410	1	LABEL, ECHO	
25		900238-05018	3	SCREW 5*18	

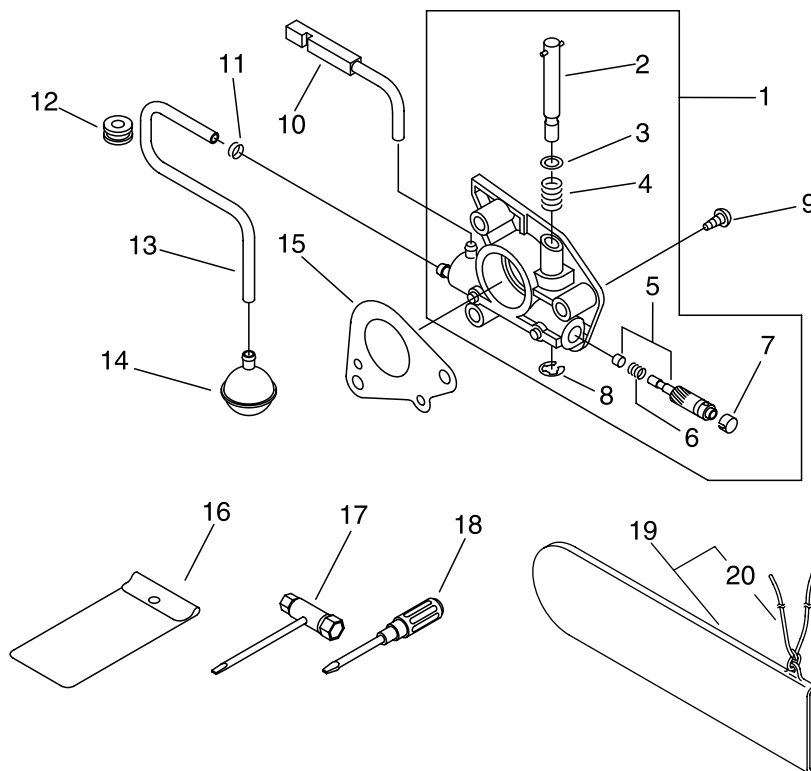


KEY	LV	PART NUMBER	QTY	DESCRIPTION	REMARKS
1		351155-35430	1	COVER, HANDLE (BL)	
2		900253-04014	1	SCREW 4*14	
3		C460-000072	1	LOCKOUT, THROTTLE	
4		C450-000212	1	CONTROL, THROTTLE	
5		V452-000260	1	SPRING, TORSION	
6		900345-40030	1	PIN, SPRING 4*30SUS	
7		100918-38330	2	CAP, CUSHION	
8		100915-32530	2	BOLT	
9		100921-38330	2	CUSHION	
10		100910-38330	2	CUSHION	
11		351111-19830	1	GRIP, HANDLE	
12		132115-04920	1	GROMMET	
13		132010-38331	1	PIPE	
14		132013-26630	1	CLIP	
15		131205-19831	1	STRAINER, FUEL	
16		P021-012562	1	HANDLE ASY, REAR	
17	+	13130056431	1	VENT ASSEMBLY, FUEL	
18	+	131328-40630	1	COVER, VENT	
19	+	132013-26630	1	CLIP	
20	+	132012-39331	1	PIPE	
22		P021-010601	1	FUEL CAP ASY	
23	+	A365-000050	1	CONNECTOR, CAP	
24	+	V581-000610	1	RING, O	
25		91145-05020	2	BOLT HS TAPPING	

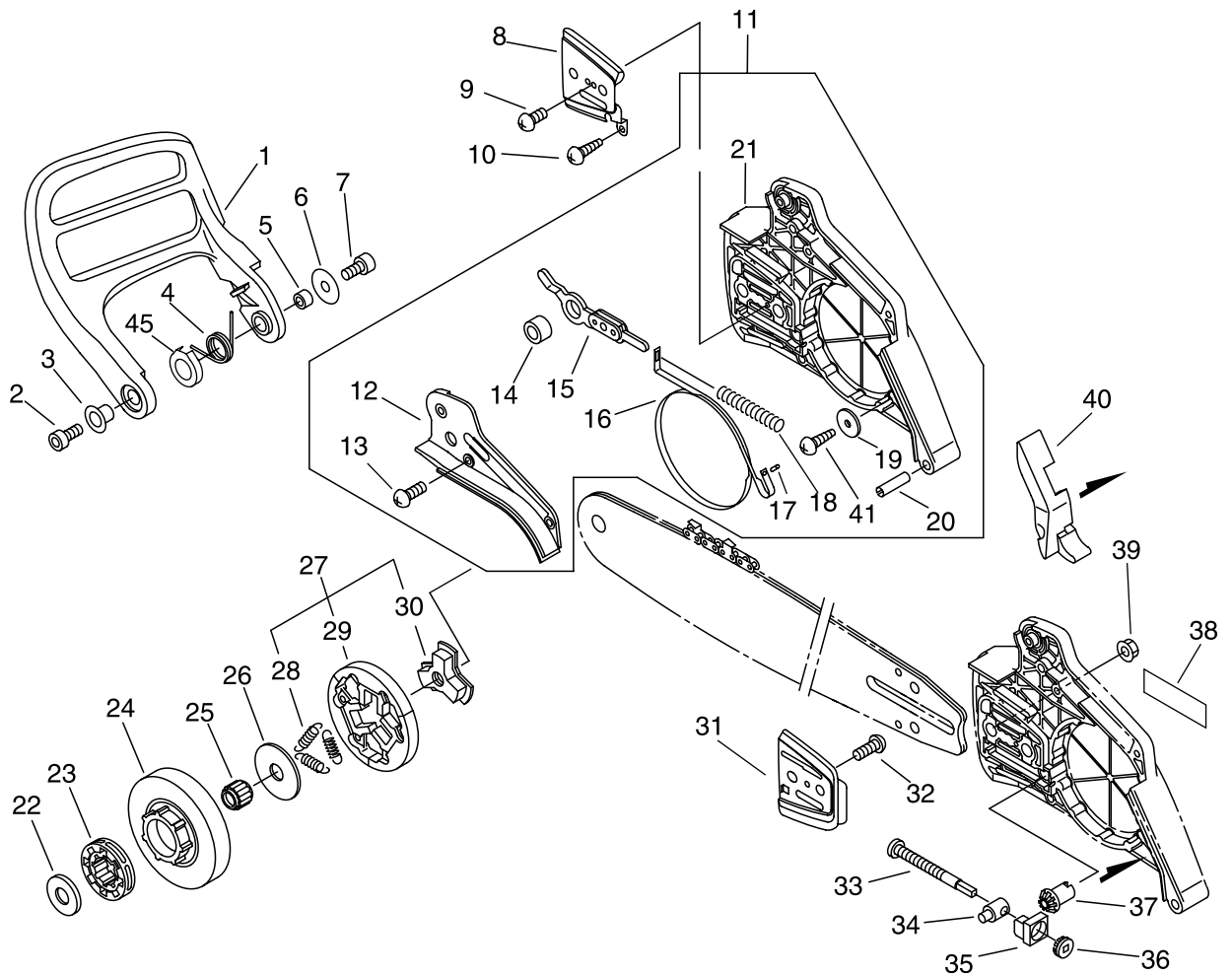


KEY	LV	PART NUMBER	Q'TY	DESCRIPTION	REMARKS
26		C400-000011	1	HANDLE,FRONT	
27		91145-05016	2	BOLT HS TAPPING	
28		C418-000040	1	SHIELD,SNOW	
29		890157-39130	1	LABEL, SWITCH	

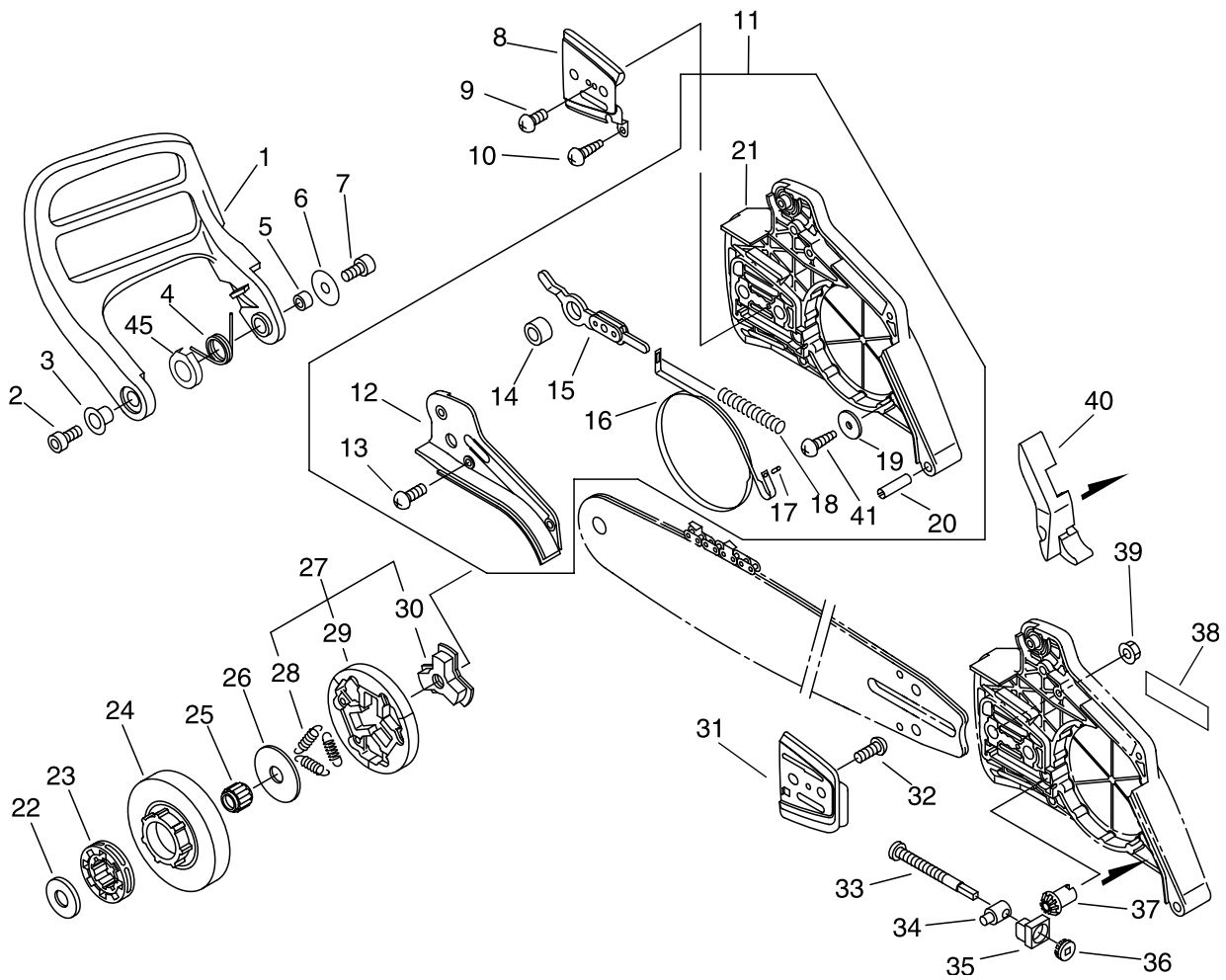




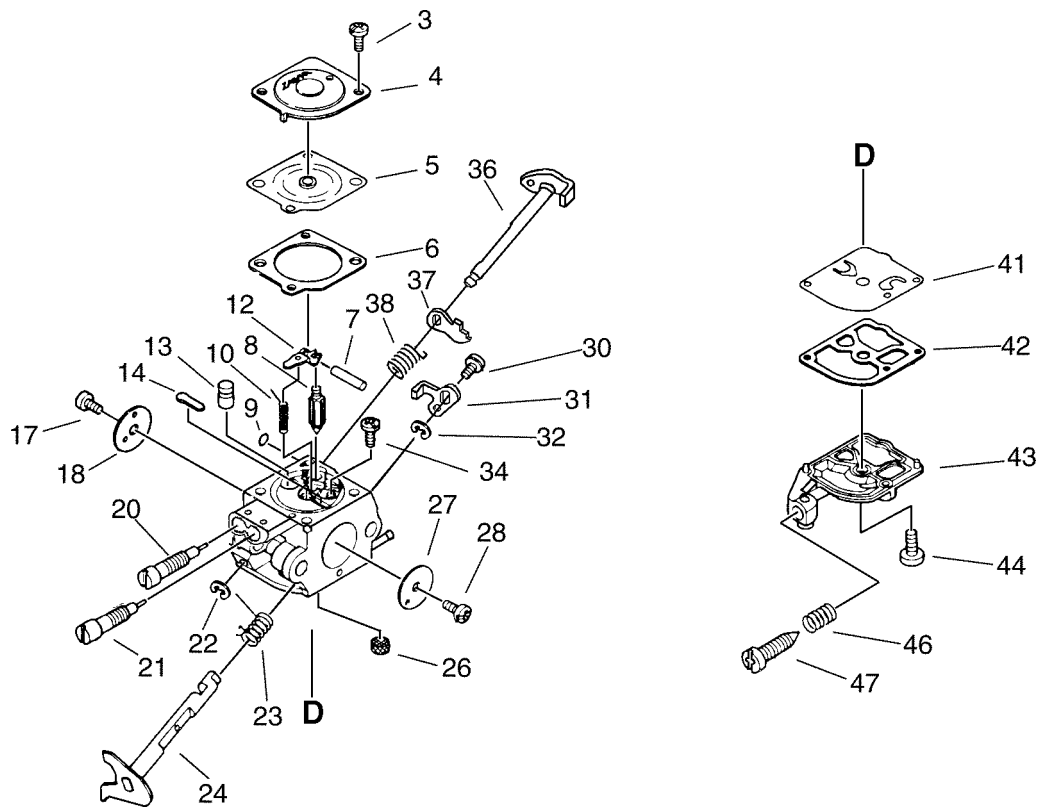
KEY	LV	PART NUMBER	QTY	DESCRIPTION	REMARKS
1		437002-38330	1	AUTO-OILER ASSY	
2	+	437016-38330	1	NEEDLE, ADJUST	
3	+	437029-37330	1	WASHER	
4	+	437015-37330	1	SPRING	
5	+	437024-37330	1	PLUNGER	
6	+	437019-38330	1	SPRING	
7	+	437062-38330	1	CAP, OIL PUMP	
8	+	123127-15030	1	RING	
9		900223-04016	2	SCREW	
10		437229-38331	1	PIPE	
11		132013-26630	1	CLIP	
12		132115-12330	1	GROMMET	
13		437210-38330	1	PIPE, OIL	
14		436205-14730	1	STRAINER, OIL	
15		175310-38330	1	PLATE, SEAL	
16		X698-000050	1	TOOL, CASE	
17		X602-000080	1	TOOL, WRENCH	
18		895811-00130	1	DRIVER, SCREW 125	
19		P021-014290	1	SCABBARD, CHAIN	
20	+	898568-14530	1	ROPE	



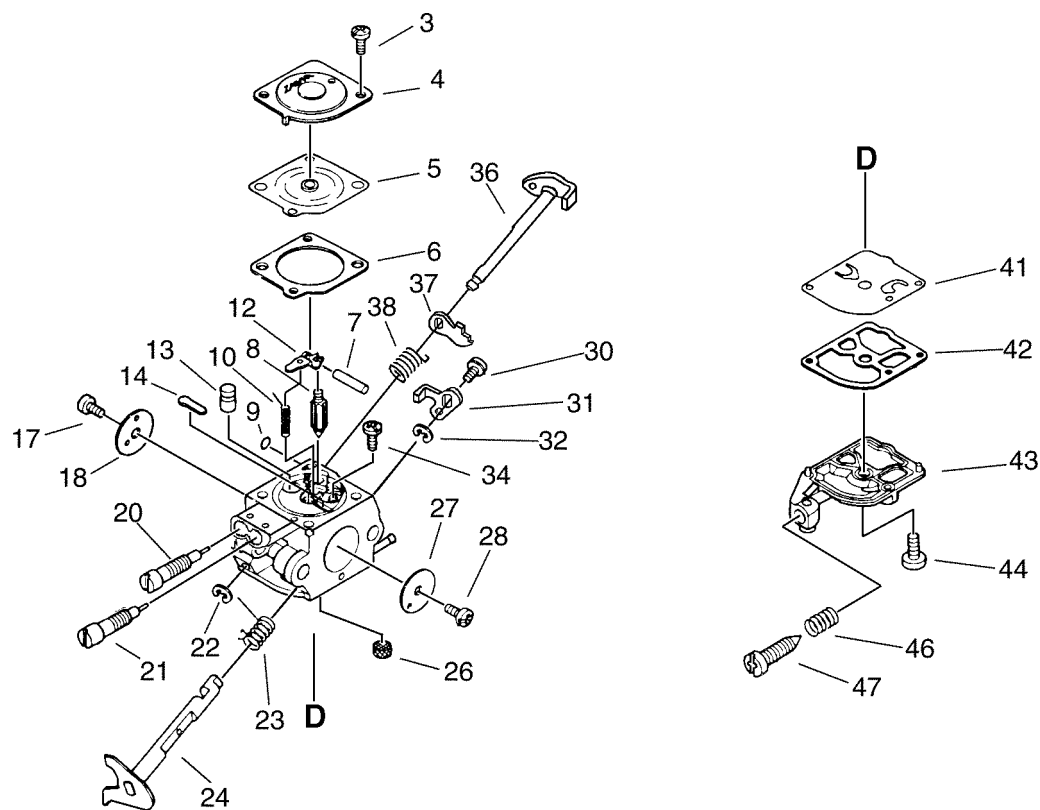
KEY	LV	PART NUMBER	Q'TY	DESCRIPTION	REMARKS
1		C320-000141	1	LEVER, BRAKE	
2		900105-05030	1	BOLT, H.S. 5*30	
3		V356-000300	1	COLLAR,10	
4		V452-001281	1	SPRING,TORSION	
5		433116-35430	1	SPACER 8	
6		177214-03930	1	WASHER	
7		V202-000120	1	BOLT,4	
8		C305-000001	1	PLATE,SPROCKET GUARD	
9		91325-03005	1	SCREW	
10		V202-000060	1	BOLT,4	
11		C032-000322	1	BRAKE ASY, CHAIN	
12	+	C345-000241	1	COVER,BRAKE	
13	+	V202-000060	3	BOLT,4	
14	+	433116-35430	1	SPACER 8	
15	+	C334-000090	1	CONNECTOR, BRAKE	
16	+	C328-000110	1	BAND, BRAKE	
17	+	900330-30120	1	PIN	
18	+	V450-000070	1	SPRING, COMPRESSION	
19	+	351249-06960	1	WASHER	
20	+	900342-60025	1	PIN, SPRING	
21	+	C300-000352	1	GUARD, SPROCKET	
41	+	900253-04016	1	SCREW 4*16	
22		A551-000000	1	PLATE,CLUTCH	
23		175114-12530	1	SPROCKET, RIM .325	



KEY	LV	PART NUMBER	QTY	DESCRIPTION	REMARKS
24		A556-000021	1	DRUM,CLUTCH	
25		V557-000020	1	BEARING,NEEDLE 12	
26		A551-000060	1	PLATE,CLUTCH	
27		A056-000111	1	CLUTCH	
28	+	V451-000500	3	SPRING,TENSION	
29	+	P021-007050	1	CLUTCH SHOE SET	
30	+	A552-000090	1	HUB,CLUTCH	
31		433013-35432	1	PLATE, GUIDE (INNER)	
32		900220-04006	1	SCREW 4*6	
33		V203-000110	1	BOLT,5	
34		C309-000030	1	TENSIONER,CHAIN	
35		V355-000270	1	COLLAR,8	
36		V651-000011	1	GEAR,BEVEL	
37		V651-000001	1	GEAR,BEVEL	
38		X502-000340	1	LABEL,ECHO	
39		433019-12330	2	NUT, FLANGE 8	
40		C302-000000	1	PAD, GUARD	
45		V456-000230	1	HOLDER,SPRING	



KEY	LV	PART NUMBER	Q'TY	DESCRIPTION	REMARKS
		A021-000562	1	CARBURETTOR	
3	+	125344-52130	2	SCREW	
4	+	125342-13210	1	COVER, DIAPHRAGM	
5	+	125341-49030	1	DIAPHRAGM	
6	+	125340-42030	1	GASKET, DIAPHRAGM	
7	+	125338-13930	1	PIN, METERING ARM	
8	+	125337-08260	1	VALVE, INLET NEEDLE	
9	+	125345-13310	1	PLUG, WELCH	
10	+	125322-13930	1	SPRING, COIL	
12	+	125323-08260	1	ARM, VALVE	
13	+	P005-000770	1	NOZZLE CHECK VALVE	
14	+	125345-51030	1	PLUG, WELCH	
17	+	125314-51230	1	SCREW	
18	+	P005-000900	1	VALVE, CHOKE	
20	+	P005-000850	1	NEEDLE, HIGH SPEED	
21	+	P005-000840	1	NEEDLE, IDLE	
22	+	125327-15130	1	CLIP	
23	+	P005-000790	1	SPRING, THRT. RETURN	
24	+	P005-000780	1	SHAFT ASY, THROTTLE	
26	+	P005-000860	1	SCREEN, FUEL INLET	
27	+	P005-000810	1	VALVE, THROTTLE	
28	+	125314-13930	1	SCREW	
30	+	125348-13930	1	SCREW	
31	+	P005-000800	1	LEVER, THROTTLE	



KEY	LV	PART NUMBER	QTY	DESCRIPTION	REMARKS
32	+	125327-13930	1	CLIP	
34	+	125339-13930	1	SCREW	
36	+	P005-001310	1	SHAFT, CHOKE	
37	+	P005-001300	1	LEVER, CHOKE	
38	+	P005-000880	1	SPRING, CHOKE RETURN	
41	+	P005-000820	1	DIAPHRAGM, PUMP	
42	+	125325-08360	1	GASKET, PUMP	
43	+	P005-000830	1	COVER, PUMP	
44	+	125310-13930	1	SCREW	
46	+	125333-06960	1	SPRING, IDLE ADJUSTER	
47	+	125344-08560	1	SCREW	

**Index**

<b>Parts Number</b>	<b>Key No.</b>	<b>Parts Number</b>	<b>Key No.</b>	<b>Parts Number</b>	<b>Key No.</b>
13130056431	4 - 17	132013-26630	4 - 19	898568-14530	5 - 20
100011-39731	1 - 8	132013-26630	5 - 11	900105-05012	1 - 33
100015-32330	1 - 10	132115-04920	4 - 12	900105-05014	2 - 25
100142-30830	1 - 13	132115-12330	5 - 12	900105-05030	6 - 2
100215-03930	1 - 37	145510-35431	2 - 27	900105-06014	2 - 24
100910-38330	4 - 10	162010-38332	2 - 13	900106-05020	1 - 6
100915-32530	4 - 8	163400-38330	2 - 20	900162-04016	1 - 44
100915-33930	1 - 31	163413-38930	2 - 17	900162-04030	3 - 5
100918-38330	1 - 30	163804-38935	2 - 16	900162-05014	1 - 27
100918-38330	4 - 7	163810-38933	2 - 18	900162-05050	2 - 10
100921-38330	1 - 32	163890-38330	1 - 24	900220-04006	2 - 12
100921-38330	4 - 9	175114-12530	6 - 23	900220-04006	6 - 32
101520-35430	1 - 35	175310-38330	5 - 15	900223-04016	5 - 9
123127-15030	5 - 8	177214-02830	3 - 16	900238-05012	1 - 1
125310-13930	7 - 44	177214-03930	6 - 6	900238-05012	3 - 15
125314-13930	7 - 28	177218-19830	3 - 10	900238-05016	1 - 40
125314-51230	7 - 17	177220-35430	3 - 20	900238-05018	3 - 25
125322-13930	7 - 10	177221-35430	3 - 19	900253-04014	4 - 2
125323-08260	7 - 12	177226-19830	3 - 17	900253-04016	6 - 41
125325-08360	7 - 42	177227-37930	3 - 23	900296-03014	3 - 22
125327-13930	7 - 32	177228-35431	3 - 21	900330-30120	6 - 17
125327-15130	7 - 22	177234-35430	3 - 8	900342-60025	6 - 20
125333-06960	7 - 46	177247-04630	3 - 11	900345-40030	4 - 6
125337-08260	7 - 8	178810-14534	2 - 19	900515-00008	3 - 7
125338-13930	7 - 7	351111-19830	4 - 11	900603-00005	3 - 9
125339-13930	7 - 34	351155-35430	4 - 1	900721-00025	1 - 48
125340-42030	7 - 6	351249-06960	6 - 19	900810-36202	1 - 17
125341-49030	7 - 5	433011-19830	1 - 39	91100-06008	2 - 22
125342-13210	7 - 4	433013-35432	6 - 31	91145-05016	4 - 27
125344-08560	7 - 47	433019-12330	6 - 39	91145-05020	4 - 25
125344-52130	7 - 3	433116-35430	6 - 5	91325-03005	6 - 9
125345-13310	7 - 9	433116-35430	6 - 14	A021-000562	2 - 6
125345-51030	7 - 14	436018-38330	1 - 38	A021-000562	7 -
125348-13930	7 - 30	436018-38330	1 - 38	A056-000111	6 - 27
129010-33330	1 - 50	436019-38330	1 - 43	A160-000102	1 - 25
130000-38331	2 - 1	436114-13930	1 - 45	A172-000062	3 - 13
130010-38330	2 - 4	436205-14730	5 - 14	A204-000004	2 - 9
130016-39930	1 - 3	437002-38330	5 - 1	A226-000040	2 - 8
130020-33330	2 - 3	437015-37330	5 - 4	A232-000023	1 - 20
130110-38330	2 - 5	437016-38330	5 - 2	A235-000020	1 - 18
130338-32430	1 - 21	437019-38330	5 - 6	A241-000101	2 - 21
130405-38332	2 - 7	437024-37330	5 - 5	A319-000080	2 - 23
130430-38330	2 - 11	437029-37330	5 - 3	A365-000050	1 - 47
130510-39932	1 - 2	437062-38330	5 - 7	A365-000050	4 - 23
131205-19831	4 - 15	437210-38330	5 - 13	A409-000030	3 - 6
131328-40630	4 - 18	437229-38331	5 - 10	A411-000031	3 - 4
132010-38331	4 - 13	890157-39130	4 - 29	A425-000000	3 - 1
132012-39331	4 - 20	890345-39230	1 - 23	A426-000010	3 - 2
132013-26630	4 - 14	895811-00130	5 - 18	A427-000013	3 - 3

**Index**

<b>Parts Number</b>	<b>Key No.</b>	<b>Parts Number</b>	<b>Key No.</b>	<b>Parts Number</b>	<b>Key No.</b>
A506-000100	3 - 18	V135-000010	1 - 49		
A551-000000	6 - 22	V150-001740	1 - 29		
A551-000060	6 - 26	V202-000060	6 - 10		
A552-000090	6 - 30	V202-000060	6 - 13		
A556-000021	6 - 24	V202-000120	6 - 7		
C032-000322	6 - 11	V203-000090	3 - 12		
C300-000321	1 - 41	V203-000110	6 - 33		
C300-000352	6 - 21	V203-000170	1 - 5		
C302-000000	6 - 40	V308-000010	1 - 12		
C304-000030	1 - 34	V355-000270	6 - 35		
C305-000001	6 - 8	V356-000300	6 - 3		
C309-000030	6 - 34	V420-001130	2 - 2		
C310-000000	1 - 28	V450-000070	6 - 18		
C320-000141	6 - 1	V451-000500	6 - 28		
C328-000110	6 - 16	V452-000260	4 - 5		
C334-000090	6 - 15	V452-001281	6 - 4		
C345-000241	6 - 12	V456-000230	6 - 45		
C400-000011	4 - 26	V508-000000	1 - 16		
C418-000040	4 - 28	V540-000110	2 - 28		
C450-000212	4 - 4	V540-000110	2 - 29		
C454-000150	2 - 14	V556-000000	1 - 11		
C460-000072	4 - 3	V557-000020	6 - 25		
C483-000000	2 - 15	V581-000610	4 - 24		
P005-000770	7 - 13	V609-000000	1 - 9		
P005-000780	7 - 24	V651-000001	6 - 37		
P005-000790	7 - 23	V651-000011	6 - 36		
P005-000800	7 - 31	V652-000080	1 - 15		
P005-000810	7 - 27	X502-000340	6 - 38		
P005-000820	7 - 41	X502-000410	3 - 24		
P005-000830	7 - 43	X503-008310	1 - 19		
P005-000840	7 - 21	X602-000080	5 - 17		
P005-000850	7 - 20	X698-000050	5 - 16		
P005-000860	7 - 26				
P005-000880	7 - 38				
P005-000900	7 - 18				
P005-001300	7 - 37				
P005-001310	7 - 36				
P021-001064	1 - 7				
P021-001073	1 - 14				
P021-004092	1 - 4				
P021-007050	6 - 29				
P021-007630	1 - 46				
P021-010601	4 - 22				
P021-012471	1 - 36				
P021-012550	1 - 42				
P021-012562	4 - 16				
P021-013461	2 - 26				
P021-013482	3 - 14				
P021-014290	5 - 19				

# YAMABIKO CORPORATION

7-2 SUEHIROCHO 1-CHOME, OHME, TOKYO 198-8760, JAPAN  
PHONE: 81-428-32-6118. FAX: 81-428-32-6145.

