

# Genuine Spare Parts

www.stiga.com

## COMBI 48 E

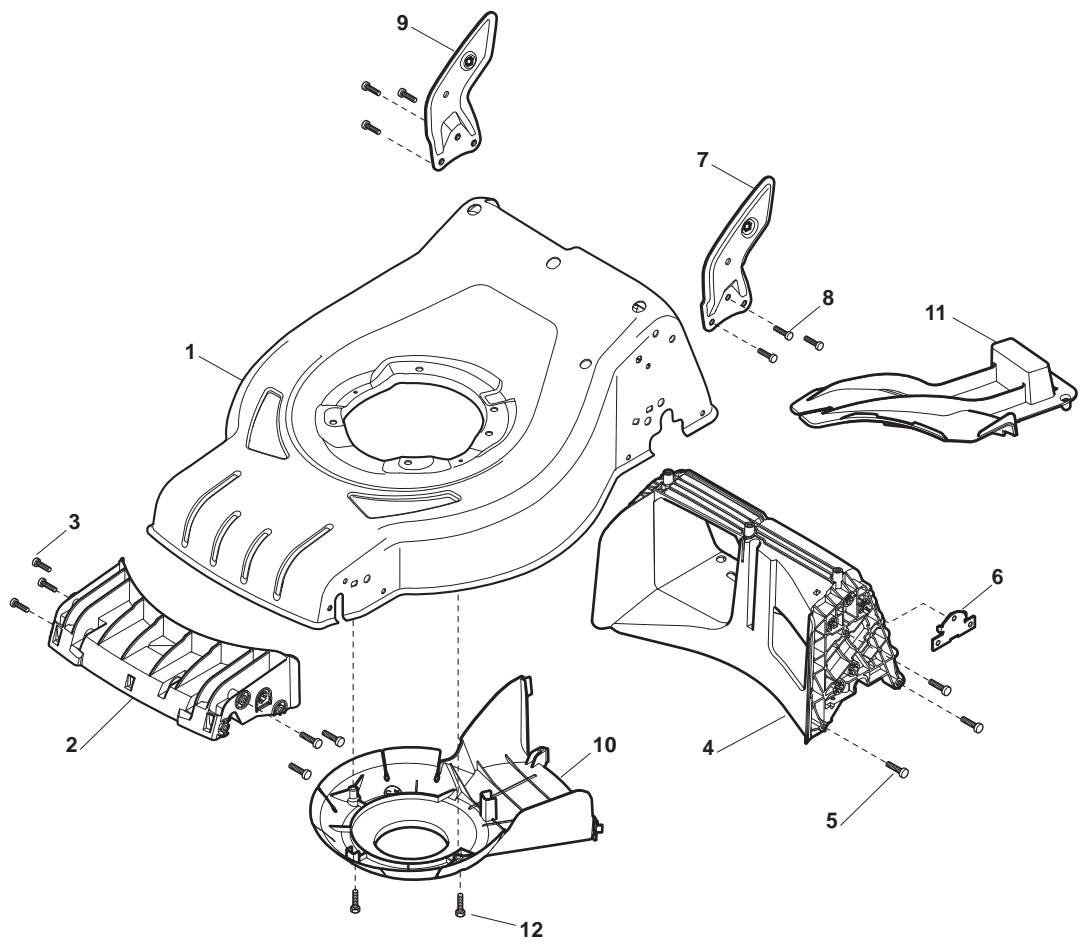
- Use GLOBAL GARDEN PRODUCT Genuine Spare Parts specified in the parts list for repair and/or replacement.
- The contents described in the parts list may change due to improvement.
- The drawings of the spare parts are only indicative and might not represent the part in question exactly.
- The indications "right" - "left" - "front" - "rear" refer to the position of the operator when using the machine.
- When placing orders of parts for repair and/or replacement, make sure that the illustrated parts list is the one applying to the machine's year of manufacture, as shown on the identification plate attached to the machine.

© Copyright 2013 Global Garden Products

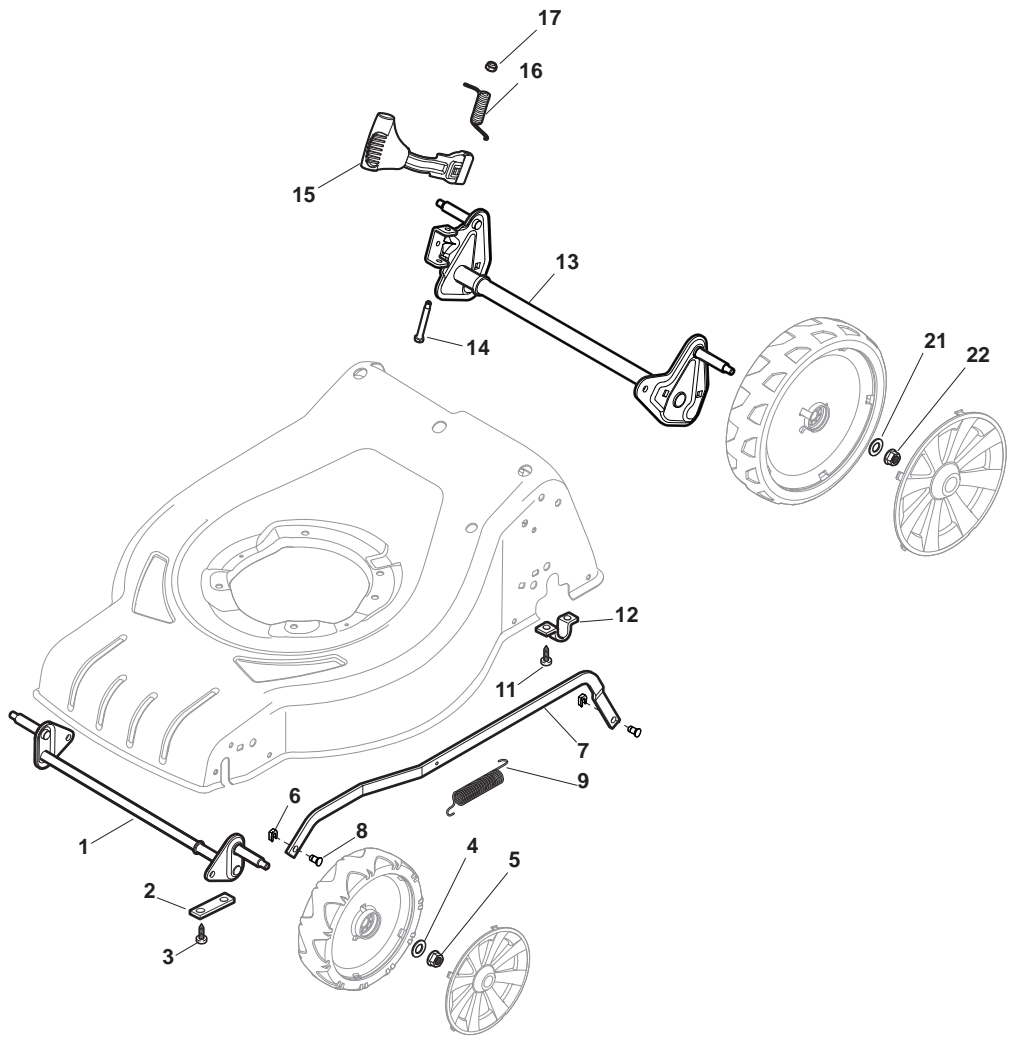
All content is subject to copyright by Global Garden Products and may not be reproduced in whole or in part by any means, electronic or otherwise, without prior written approval.

THIS INFORMATION IS NOT INTENDED FOR SALE OR RESALE, AND THIS NOTICE MUST REMAIN ON ALL COPIES.

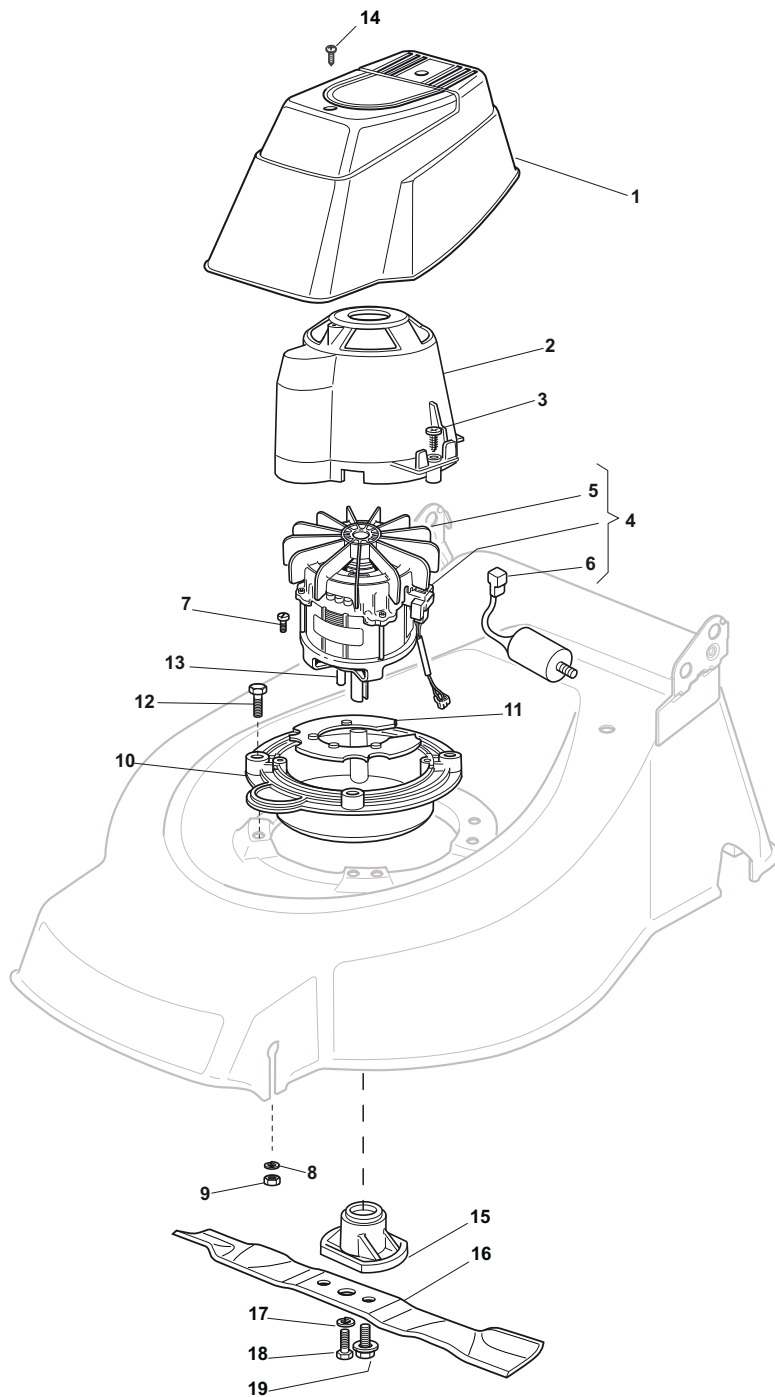




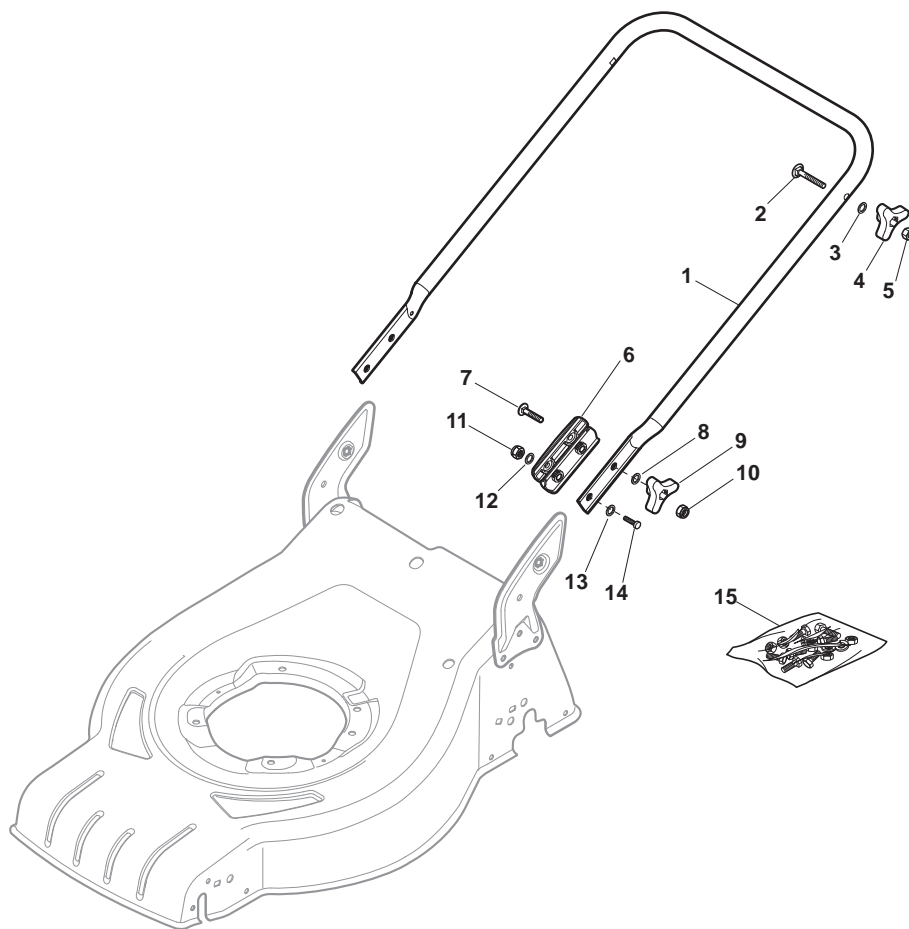
POSITION	PART No.	Q.Ty	DESCRIPTION	NOTES
1	381004018/0	1	Deck Red	
2	322108301/1	1	Front Conveyor Assy	
3	112728699/0	6	Screw	
4	322108302/0	1	Rear Conveyor Assy	
5	112728699/0	6	Screw	
6	322545213/0	2	Plate	
7	381005139/0	1	Bracket, L	
8	112727801/0	6	Screw	
9	381005137/0	1	Bracket, R	
10	322060242/0	1	Protection, Belt	
11	322140239/0	1	Deflector	
12	112728530/0	2	Screw	



POSITION	PART No.	Q.Ty	DESCRIPTION	NOTES
1	381302821/0	1	Axle, Front Wheels	
2	322545142/0	2	Plate	
3	112728698/0	4	Screw	
4	112521350/0	2	Washer	
5	112155000/0	2	Nut	
6	112436051/0	2	Plate	
7	322869673/0	1	Rod, Height Adjustment	
8	122519820/0	2	Pin	
9	122446193/0	1	Spring	
11	112728698/0	4	Screw	
12	322545152/0	2	Plate	
13	381302815/0	1	Axle, Rear Wheels	
14	122534131/0	1	Pin	
15	381003357/0	1	Lever, Height Adjustment	
16	122446192/0	1	Spring	
17	112154510/0	1	Nut	
21	112521350/0	2	Washer	
22	112155000/0	2	Nut	

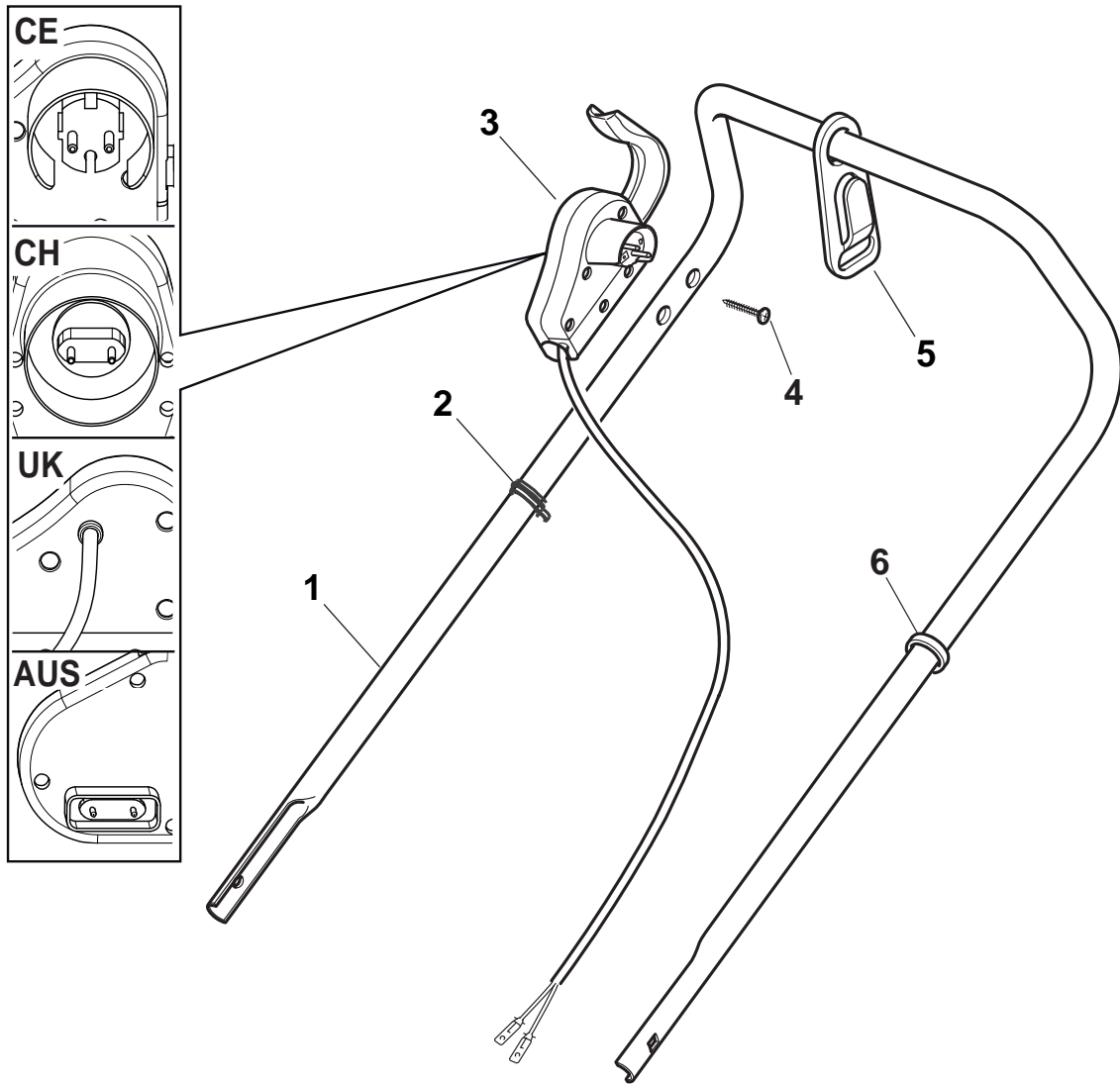


POSITION	PART No.	Q.Ty	DESCRIPTION	NOTES
1	322055139/0	1	Cover, Yellow	
2	322785210/0	1	Support, Cover	
3	112728710/0	4	Screw	
4	118563605/0	1	Motor ATB	1600W
5	118740054/0	1	Fan Motor Atb	
6	118222045/0	1	Condenser 16 µf	
7	112735410/0	4	Screw	
8	112583500/0	4	Grower	
9	112293200/0	4	Nut	
10	322207211/4	1	Flange	
11	322720360/2	1	Ventilation Screen	
12	112793700/0	4	Screw	
13	112139440/0	1	Feather	
14	112728680/0	2	Screw	
15	322463186/3	1	Hub	
16	181004346/3	1	Blade Standard	
16	181004397/0	1	Blade Winged	
17	112583500/0	2	Grower	
18	112793101/0	2	Screw	
19	381004352/1	1	Screw	

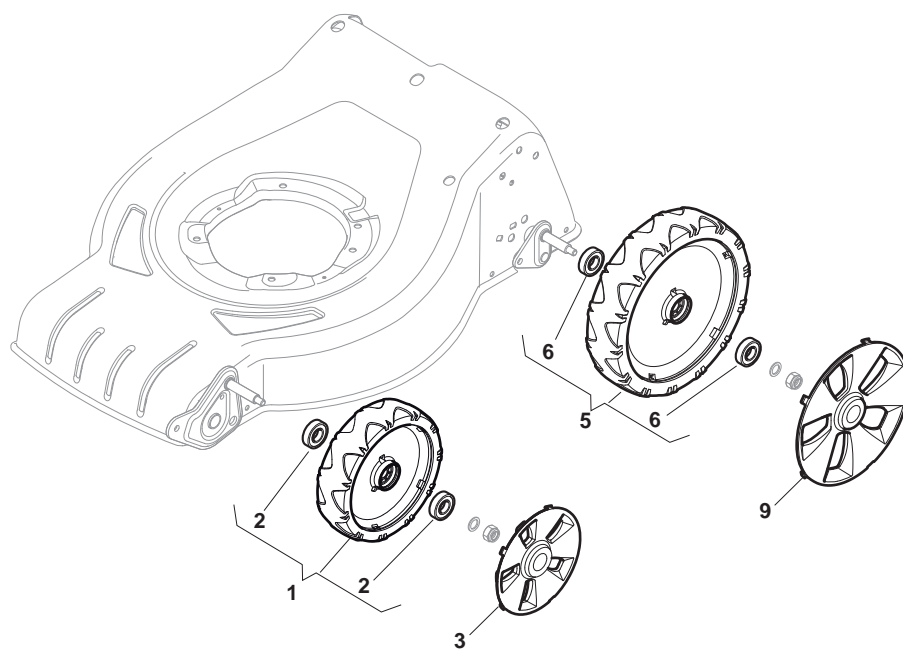




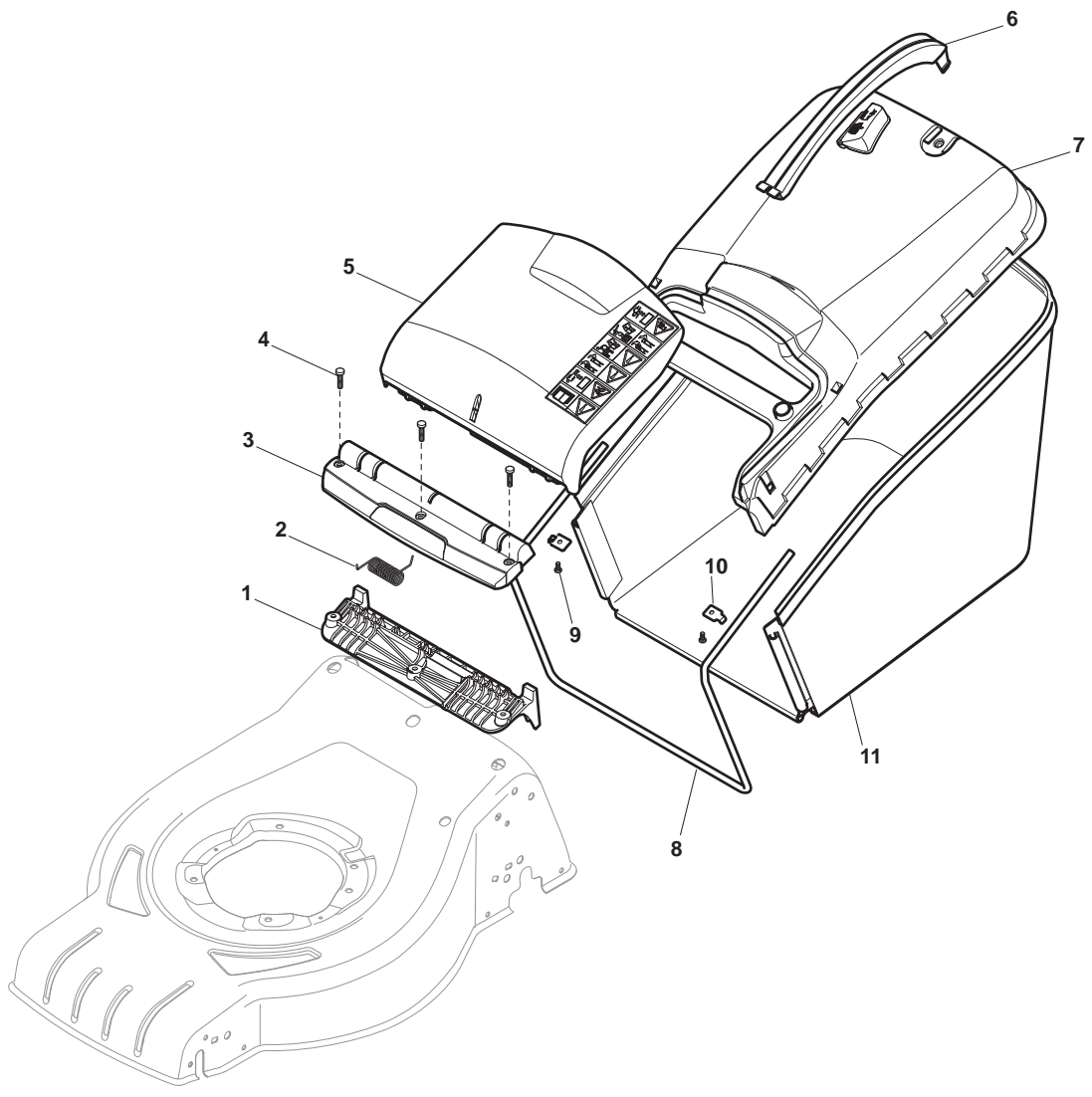
POSITION	PART No.	Q.Ty	DESCRIPTION	NOTES
1	381006735/0	1	Handle, Lower Part	
2	112819110/0	2	Screw	
3	112523060/0	2	Washer	
4	122399900/0	2	Knob	
5	112293200/0	2	Nut	
6	322551582/0	2	Isolation Plate	
7	112819110/0	2	Screw	
8	112523060/0	2	Washer	
9	122399900/0	2	Knob	
10	112293200/0	2	Nut	
11	112155000/0	2	Nut	
12	112521350/0	2	Washer	
13	112521350/0	2	Washer	
14	112793701/0	2	Screw	
15	381008698/0	1	Outfit, Screws	



POSITION	PART No.	Q.Ty	DESCRIPTION	NOTES
1	381007017/2	1	Handle, Upper Part	
2	122192000/1	2	Clamp	
3	381600500/2	1	Dead Hand Switch	
4	112728701/0	2	Screw	
5	322195101/4	1	Fairlead	
6	122192151/0	1	Fairlead	



POSITION	PART No.	Q.Ty	DESCRIPTION	NOTES
1	381007450/1	2	Wheel Ø 180	
2	119216035/0	4	Bearing	
3	322110647/0	2	Hub Cap Yellow	
5	381007456/1	2	Wheel Ø 240	
6	119216035/0	4	Bearing	
9	322110648/0	2	Hub Cap Yellow	



POSITION	PART No.	Q.Ty	DESCRIPTION	NOTES
1	322785331/0	1	Support	
2	122450464/0	1	Spring	
3	322109556/0	1	Cover, Yellow	
4	112728699/0	3	Screw	
5	322600214/1	1	Stone-Guard Yellow	
6	322393646/0	1	Handle, Yellow	
7	381486016/OA	1	Grass-Box, Upper Part Yellow	
8	122608561/0	1	Stiffening Lower	
9	112728692/0	2	Screw	
10	322545159/0	2	Plate	
11	181002318/0	1	Box, Fabric	