

C120.1

Model:

C 120.1-10 X-TRA

C 120.1-6 (EU)

C 120.1-6 X-TRA

C 120.1-8

C 120.1-8 A

C 120.1-8 P



Part List US-English

07-04-2011

Table of Contents

C120.1

Overview	3
Hose reel	5
Motor pump unit	7
Default accessories	9

Overview

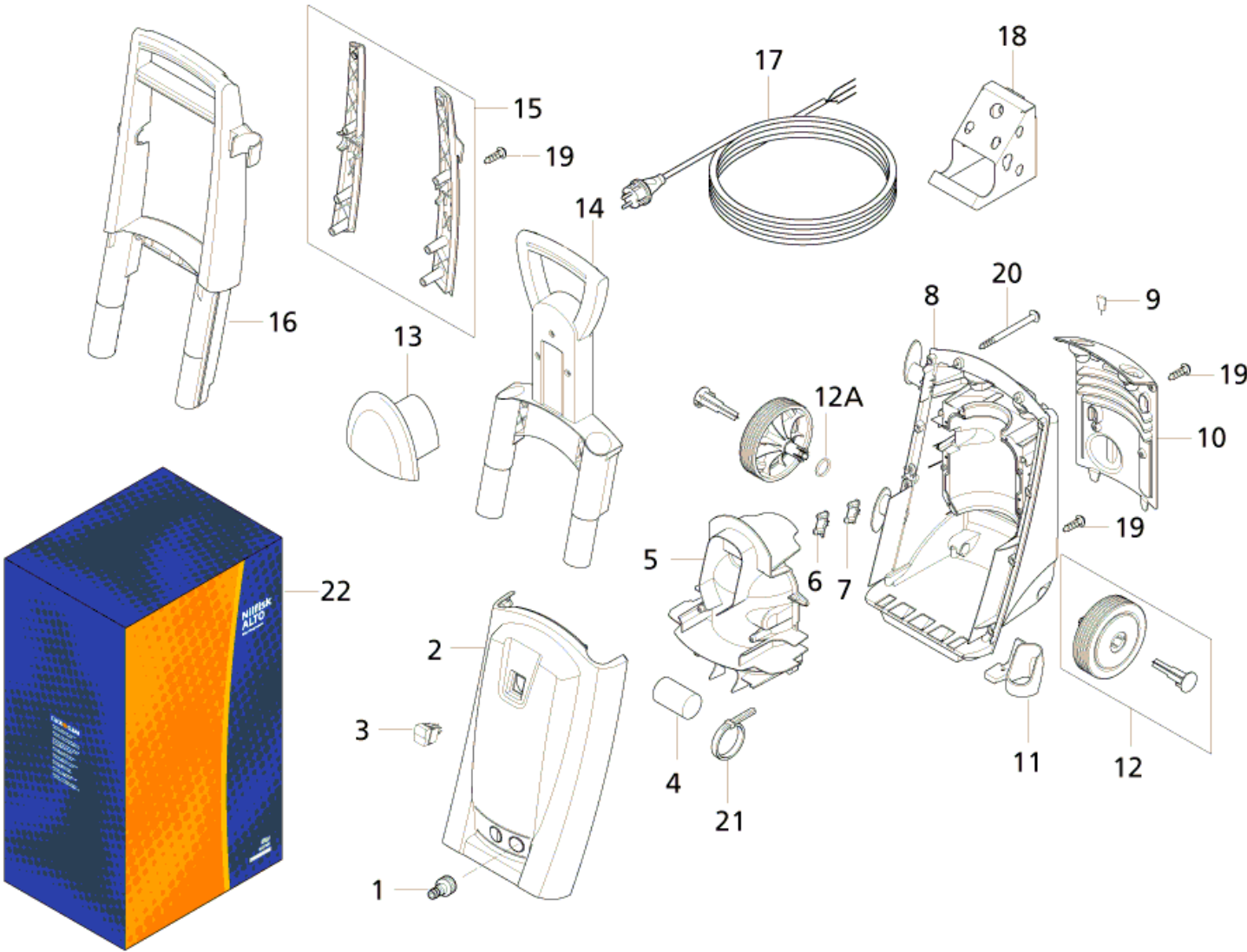
C120.1

07-04-2011

Part List ID

C12002

3



Overview

C120.1

07-04-2011

Part List ID
C12002

4

Pos	Part no.	Qty	Description	EAN
1	1402809	1	QUICK COUPLING MALE	5701715008
2	126486724	1	ALTO FRONT COVER	5701715398
3	61887	1	ON/OFF SWITCH SIGNAL LUX	4005337618
4	126486728	1	CAPACITOR W.PLUG 30UF	5701715400
5	126486704	1	MOTOR PUMP COVER	5701715398
6	126486726	1	PULL RELIEF 6-2	5701715398
7	126486727	1	PULL RELIEF 9-2	5701715398
8	126486707	1	CHASSIS	5701715398
9	127440205	1	CLEANING TOOL BLACK	5703887103
10	126486712	1	CHASSIS REAR COVER	5701715398
11	126486723	1	LOWER LANCE HOLDER	5701715398
12	126486709	2	SIMPLE WHEEL AND LOCK ALTO	5701715398
13	126486715	1	HOSE HOOK FRONT	5701715398
14	126486713	1	TROLLEY HANDLE SMALL	5701715398
15	126486716	1	COVER FOR HANDLE RIGHT LEFT	5701715398
16	126486717	1	TROLLEY HANDLE LARGE FRONT	5701715398
17	126481775	1	CABLE WITH PLUG EU	5703887100
17	126481776	1	CABLE WITH PLUG GB	5703887100
17	126481778	1	CABLE WITH PLUG	5703887100
17	126481779	1	CABLE WITH PLUG AUS/NZ	5703887100
17	126481780	1	CABLE WITH PLUG JP	5703887100
18	106411386	1	WALL HOOK	5701715396
19	101814782	14	SCREW K50X18 WN 1451 TORX 20	4005337170
20	1814733	2	SCREW K50X50 TORX BLACK	5701715363
21	1800416	1	CABLE TIE 4.8 X188 PA6.6 BLACK	5701715007
22	126481154	1	BOX-10 PCS OF C120.1 X-TRA	C120.1 X-TRA 5703887102
12A	6486774	1	BACK-UP RING WHEEL KIT 2.PCS	5701715418

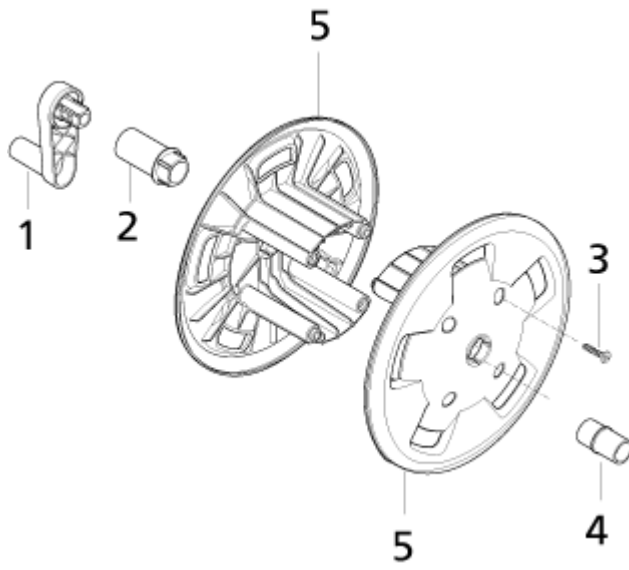
Hose reel

C120.1

07-04-2011

Part List ID C12004

5



Hose reel

C120.1

07-04-2011

Part List ID C12004

6

Pos	Part no.	Qty	Description	EAN
1	6528569	1	HOSE REEL HANDL	5701715379
2	6528571	1	ADAPTOR	5701715379
3	101814782	4	SCREW K50X18 WN 1451 TORX 20	4005337170
4	126486736	1	ADAPTOR FOR HOSE REEL	5701715398
5	126486719	2	HOSE REEL HALF PART	5701715398

Motor pump unit

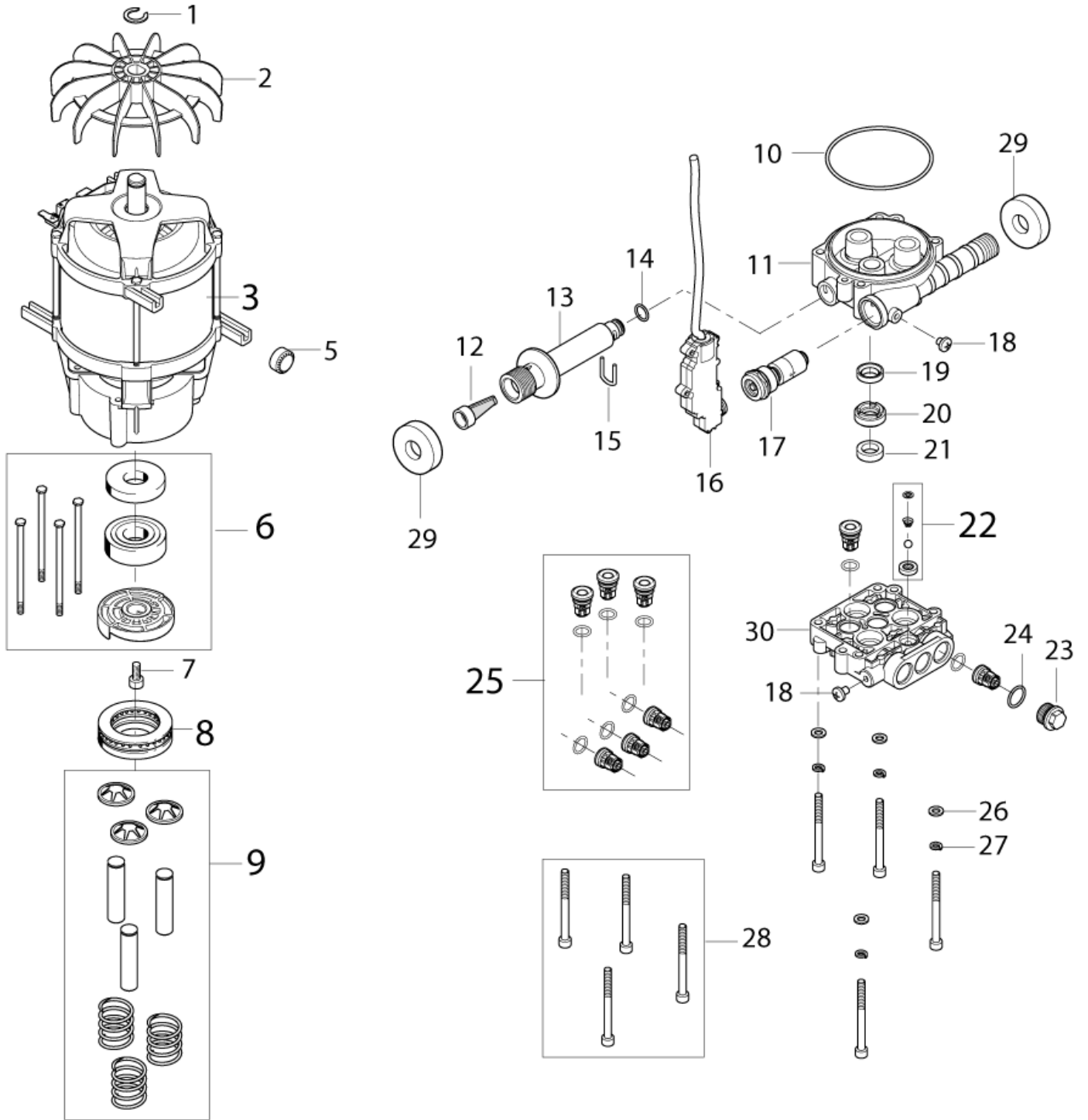
C120.1

07-04-2011

Part List ID

C12006

7



Motor pump unit

C120.1

07-04-2011

Part List ID

C:12006

8

Pos	Part no.	Qty	Description	EAN
1	27279	1	SAFETY RING	4005337272
2	126486752	1	FAN	5701715397
3	126486753	1	MOTOR	5701715397
3	126486756	1	MOTOR 100V 50HZ JP, 50Hz	5701715415
3	126486757	1	MOTOR 100V 60HZ JP, 60Hz	5701715415
5	6524050	4	RACK FOR MOTOR	5701715261
6	126486789	1	WOBBLE DISC KIT 230V 50HZ	5701715413
6	126486798	1	WOBBLE DISC KIT 100V 60HZ JP, 60Hz	5701715417
6	126486799	1	WOBBLE DISC KIT 100V 50HZ JP, 50Hz	5701715417
7	1814629	1	SCREW, UNBARS M6X20	5701715311
8	126486763	1	BEARING KIT	5701715397
9	126486765	1	PISTON KIT	5701715397
10	106481873	1	O-RING 85X2.5 NITRILIC	5701715323
11	126486767	1	CYLINDER BLOCK	5701715397
12	6481094	1	STRAINER	5701715268
13	126486781	1	WATER INLET PIPE	5701715397
14	126486785	1	O-RING FOR WATER INLET PIPE	5701715397
15	126486786	1	LOCK	5701715397
16	126486769	1	S/S MICRO SWITCH CABLE	5701715397
17	126486768	1	S/S PISTON KIT	5701715397
18	126486776	1	SCREW M6X6	5701715397
19	126486770	1	OIL SEALS (X3)	5701715397
20	126486771	1	BACK-UP RING KIT (X3)	5701715397
21	126486772	1	WATERSEALS (X3)	5701715397
22	126486780	1	KIT FOR BY-PASS	5701715397
23	106481878	3	SCREWED SEALING PLUG	5701715323
24	3004221	3	O-RING 16X2 NITRIL 70 SHORE	5701715039
25	126486773	1	REP.KIT VALVE SYSTEM	5701715397
26	1814729	4	PLAST WASHER 6.2X13X2.1	5701715398
27	1802875	4	SPRING WASHER M6 RF	5701715028
28	127500071	1	SCREW M6X70 DIN 912 4PCS	5703887104
29	126486792	2	FOAM SEAL FOR OUTLET INLET	5701715398
30	126486787	1	CYLINDERHEAD	5701715397

Default accessories

C120.1

07-04-2011

Part List ID C12008

9

No Drawing For Part List

Default accessories

C120.1

07-04-2011

Part List ID
C12008

10

Pos	Part no.	Qty	Description		EAN
1	126411376	1	PATIO CLEANER PLUS ACC	P models	5703887103
1	126486740	1	SPRAY HANDLE WITH HOSE 6M		5701715400
1	126486741	1	SPRAY HANDLE WITH HOSE 8M		5701715400
1	126486743	1	SPRAY HANDLE WITH HOSE 10M		5701715400
1	6411131	1	AUTOBRUSH ALONE	A models	5701715255
1	6411132	1	CC FOAM SPRAYER W.BOTTLE		5701715255
1	6411133	1	C POWERSPEED NOZZLE		5701715255
1	6411135	1	UNDER CARRIAGE SPRAY NOZZLE		5701715255
1	6411764	1	C TORNADO PR 4 E-110		5701715343
1	6520844	1	CLEANING TOOL BLACK		5701715215