

BA 410

Model:
BA 410
BA 410 CN
BA 410S CN



Part List US-English

29-07-2010

Table of Contents

BA 410

Solution tank	3
Vacuum system	5
Recovery tank - before Serial no. 054418642	7
Recovery tank - from Serial no. 054418642	9
Handle assembly	11
Solution system	13
Squeegee assembly	15
Brush system - before Serial no. 054920336	17
Brush system - from Serial no. 054920336	19
Wiring system	21
Accessory: Squeegee curved	23
Accessories: Brush, pad, others	25
Recommended spare parts	27
Wiring diagram - before Serial no. 055121383	30
Wiring diagram - from Serial no. 055121383	32

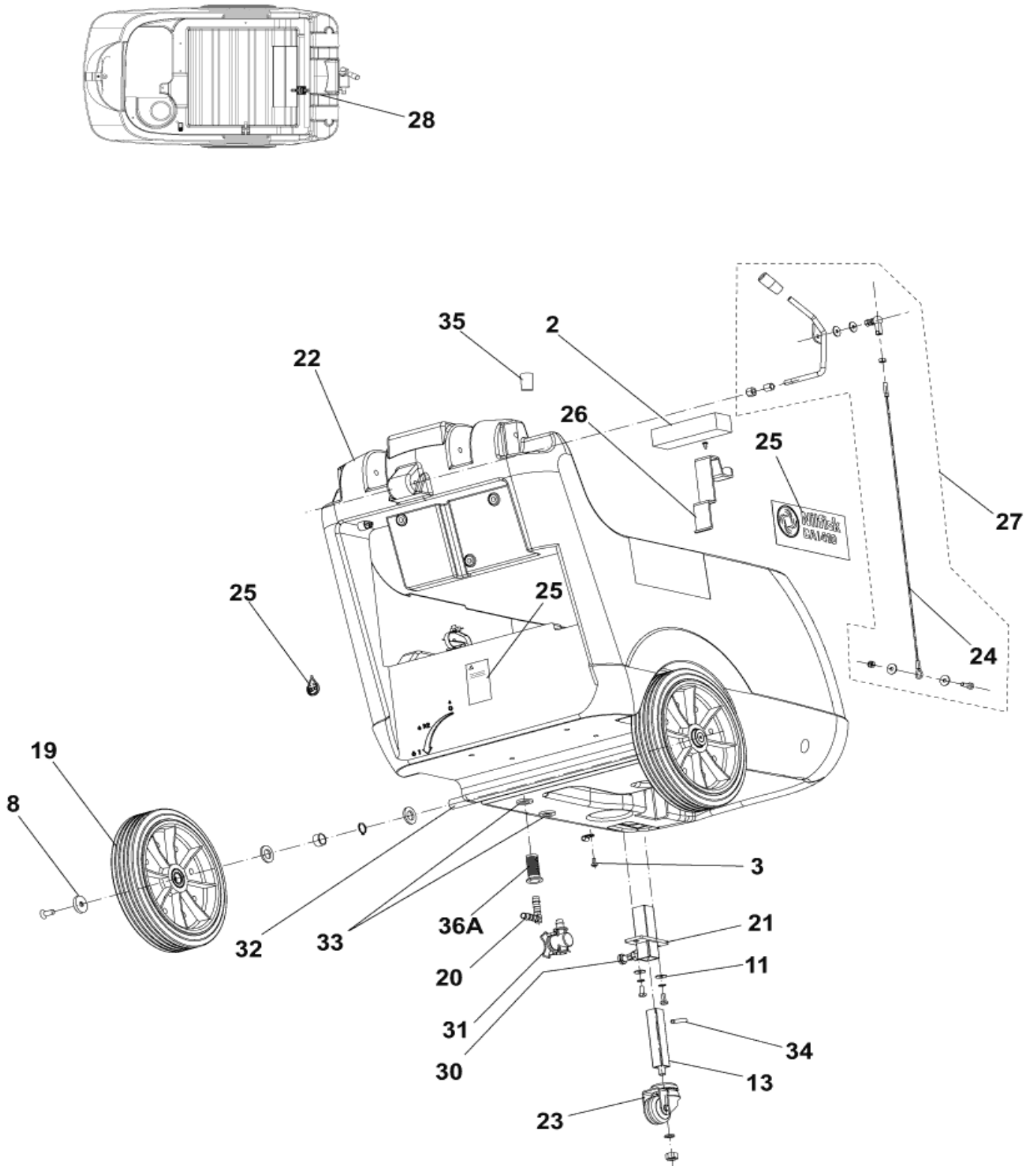
Solution tank

BA 410

29-07-2010

Part List ID E7913

3



Solution tank

BA 410

29-07-2010

Part List ID

E7913

4

Pos	Part no.	Qty	Description	EAN
0	909 5986 000	1	HARDWARE. TANK FIXING KIT	5711140125
0	909 6226 000	1	RUBBER SHOCK ABSORBER KIT	5711140126
			OPTION INST.INSTR.CODE 909 6227 000	
2	909 5674 000	1	SPONGE INLET FRESH WATER TANK	5711140123
3	L08603041	5	SCREW M5X10 UNI7985 SELFLOCKING	5711140013
8	L08812392	2	BUSHING	5711140018
11	L08228600	4	WASHER 6X18 UNI6592	5711140012
13	909 5658 000	1	ROD MACHINE SUPPORTING	5711140123
19	9096915000	2	WHEEL	5711140131
			TSB IT 2007-015	
20	909 5285 000	1	ELBOW 90. D.10 NYLON	5711140122
21	909 5649 000	1	SUPPORT	5711140123
22	909 5551 000	1	TANK SOLUTION	5711140123
23	909 5560 000	1	WHEEL	5711140123
24	909 5573 000	1	CABLE SQUEEGEE LIFTING	5711140123
25	9097769000	1	DECALS KIT BA 410	5711140137
26	909 5644 000	1	BRACKET	5711140123
27	909 5700 000	1	CABLE SQUEEGEE LIFT KIT	5711140123
28	145 0524 000	3	CLAMP BLACK 4.8X200	5711140023
30	909 5641 000	1	PLUNGER INDEXING	5711140123
31	909 5696 000	1	VALVE	5711140123
32	909 5748 000	1	SHAFT WHEELS	5711140124
33	909 5286 000	2	GASKET	5711140122
34	909 6441 000	1	PIN 3X20 UNI6873	5711140128
35	909 6236 000	1	CAP BLACK	5711140126
36A	9096916000	1	FILTER SOLUTION TANK	5711140131
			OPTION	

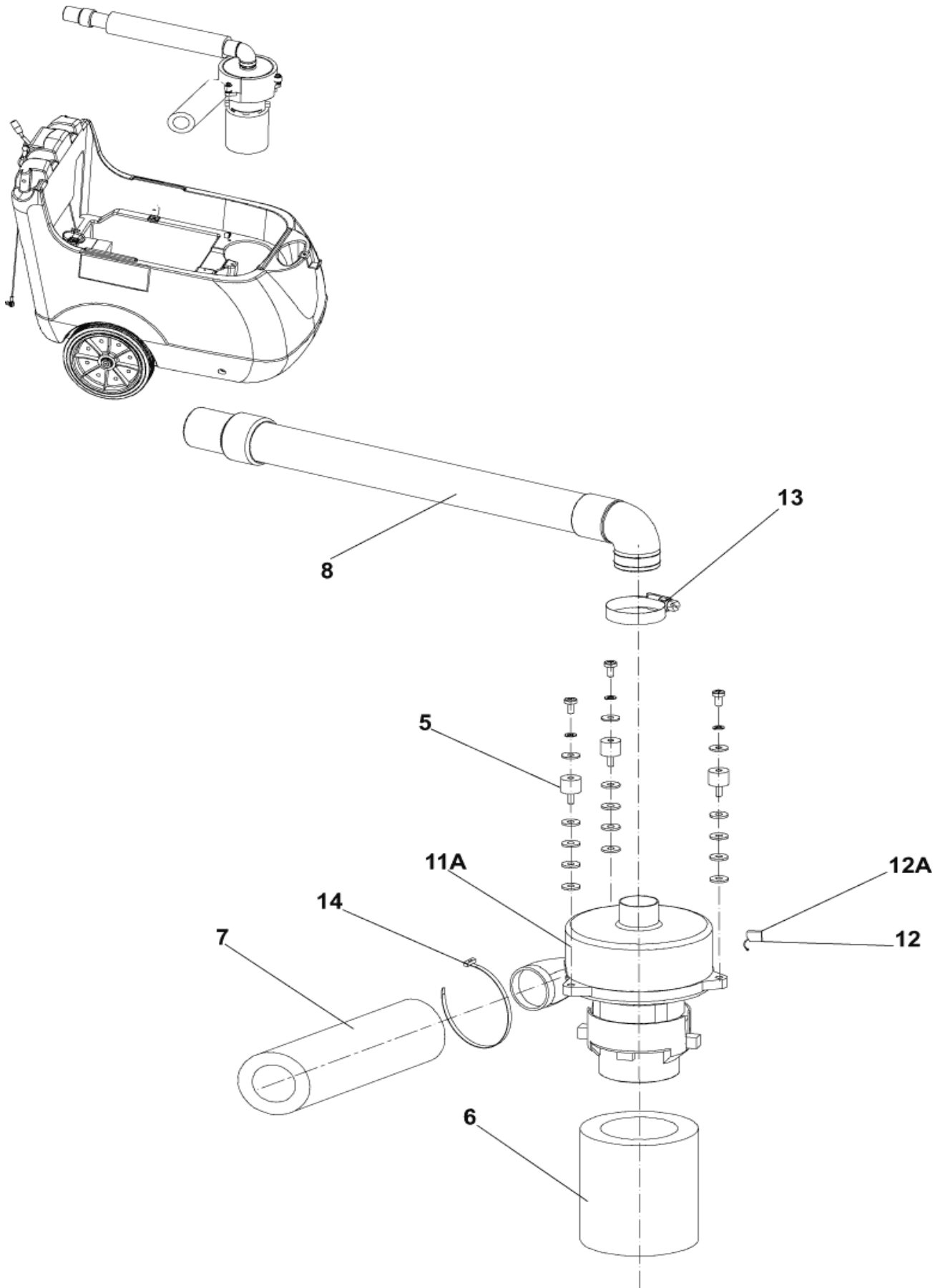
Vacuum system

BA 410

29-07-2010

Part List ID E7915

5



Vacuum system

BA 410

29-07-2010

Part List ID E7915

6

Pos	Part no.	Qty	Description	EAN
0	909 5987 000	1	HARDWARE VAC.MOTOR KIT	5711140125
5	909 5198 000	3	VIBRATION DAMPING M6	5711140121
6	909 5564 000	1	PIPE ACOUSTIC INSULATION	5711140123
7	909 5565 000	1	PIPE ACOUSTIC INSULATION	5711140123
8	909 5579 000	1	HOSE VACUUM MOTOR	5711140123
0A	9098474000	1	HARDWARE VAC.MOTOR FIXING KIT	7319519680
11	909 5713 000	1	MOTOR VACUUM KIT	5711140123
12	909 5371 000	2	BRUSH CARBON	5711140122
			FOR OLD MOTOR KIT 909 5713 000	
13	145 0543 000	1	CLAMP 14/32-52	5711140023
14	L08812587	1	CLAMP 4.8X430 WHITE	5711140018
11A	9098233000	1	MOTOR VACUUM KIT	5711140148
12A	9098231000	1	CARBON BRUSH KIT 2PCS	5711140139
			FOR NEW MOTOR 9098233000	

A:STARTING FROM SERIAL NUMBER 094120083

Recovery tank - before Serial no. 054418642

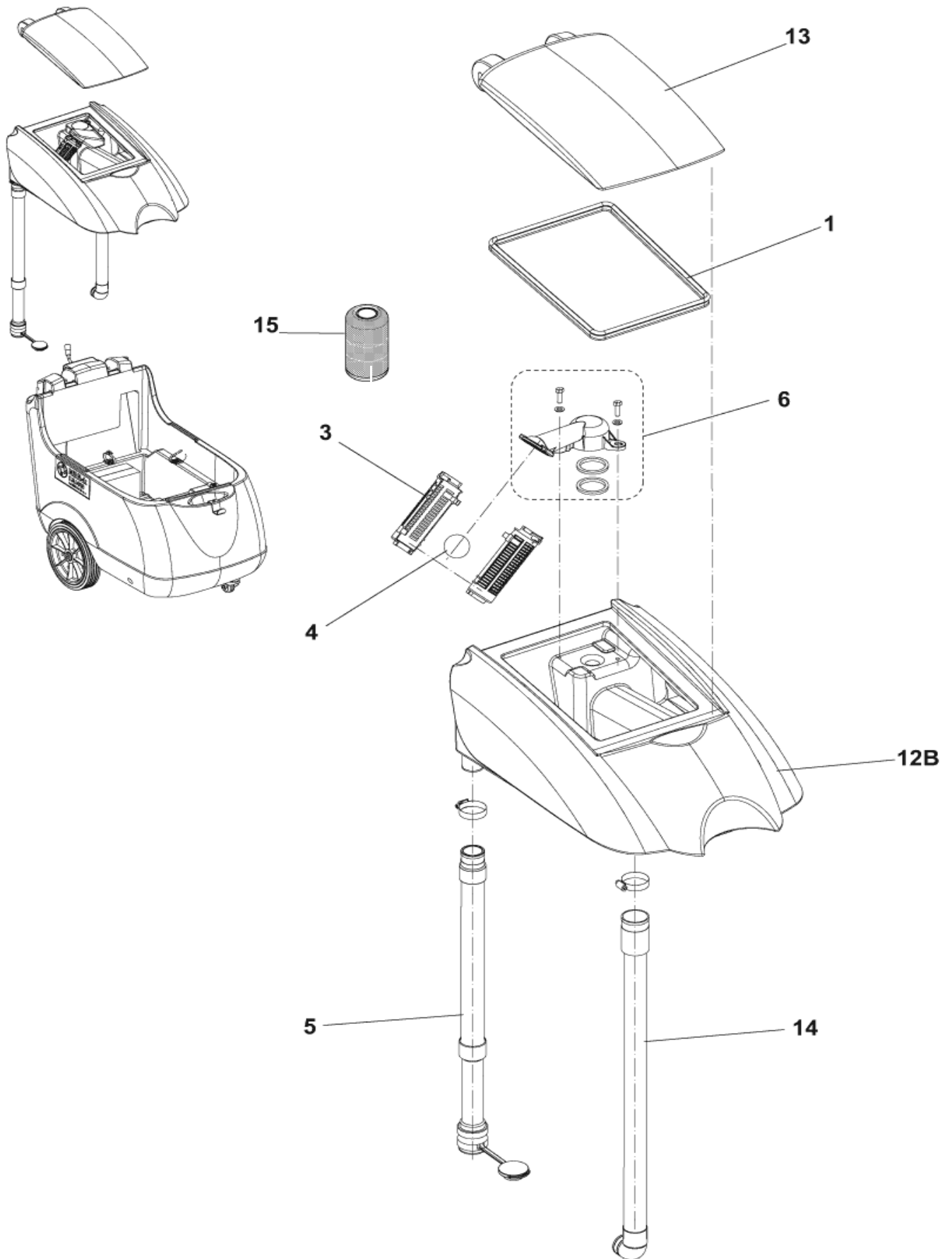
BA 410

29-07-2010

Part List ID

E7917

7



Recovery tank - before Serial no. 054418642

BA 410

29-07-2010

Part List ID E7917

8

Pos	Part no.	Qty	Description	EAN
0	909 5988 000	1	HARDWARE. TANK FIXING KIT	5711140125
1	909 5716 000	1	GASKET	5711140123
3	L08812259	2	CAGE.FLOAT CPL	5711140017
4	L08812373	1	BALL FLOATING	5711140018
5	9098255000	1	HOSE DRAIN	5711140140
13	909 5553 000	1	COVER TANKS	5711140123
14	909 5578 000	1	HOSE SUCTION	5711140123
15	909 5065 000	1	FILTER ANTIFOAMING	OPTION TSB IT 2008-002 5711140120
6A	9097681000	1	CAGE FLOAT HOLDER KIT	TSB IT 2008-009 - INSTR.CODE 9097680000 5711140135
12B	909 6061 000	1	TANK RECOVERY KIT	TSB IT 2006-001 5711140125

A: SEE TSB IT 2008-009

B: SEE TSB IT 2006-001

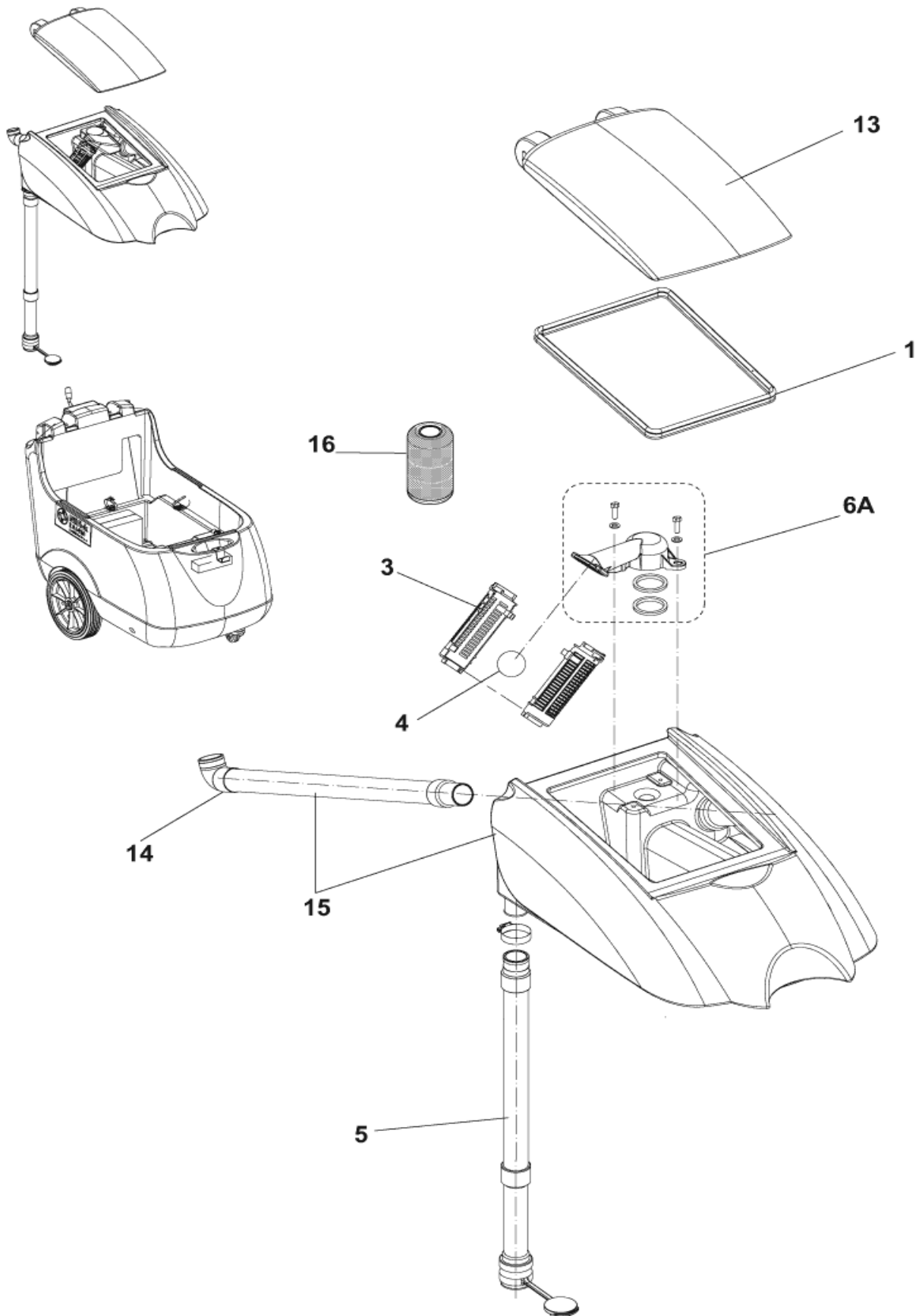
Recovery tank - from Serial no. 054418642

BA 410

29-07-2010

Part List ID E7919

9



Recovery tank - from Serial no. 054418642

BA 410

29-07-2010

Part List ID E7919

10

Pos	Part no.	Qty	Description	EAN
0	909 5988 000	1	HARDWARE. TANK FIXING KIT	5711140125
1	909 5716 000	1	GASKET	5711140123
3	L08812259	2	CAGE.FLOAT CPL	5711140017
4	L08812373	1	BALL FLOATING	5711140018
5	9098255000	1	HOSE DRAIN	5711140140
13	909 5553 000	1	COVER TANKS	5711140123
14	909 6060 000	1	HOSE.SUCTION	5711140125
15	909 6061 000	1	TANK RECOVERY KIT	5711140125
			TSB IT 2006-001	
16	909 5065 000	1	FILTER ANTIFOAMING	5711140120
			OPTION TSB IT 2008-002	
6A	9097681000	1	CAGE FLOAT HOLDER KIT	5711140135
			TSB IT 2008-009 - INSTR.CODE 9097680000	

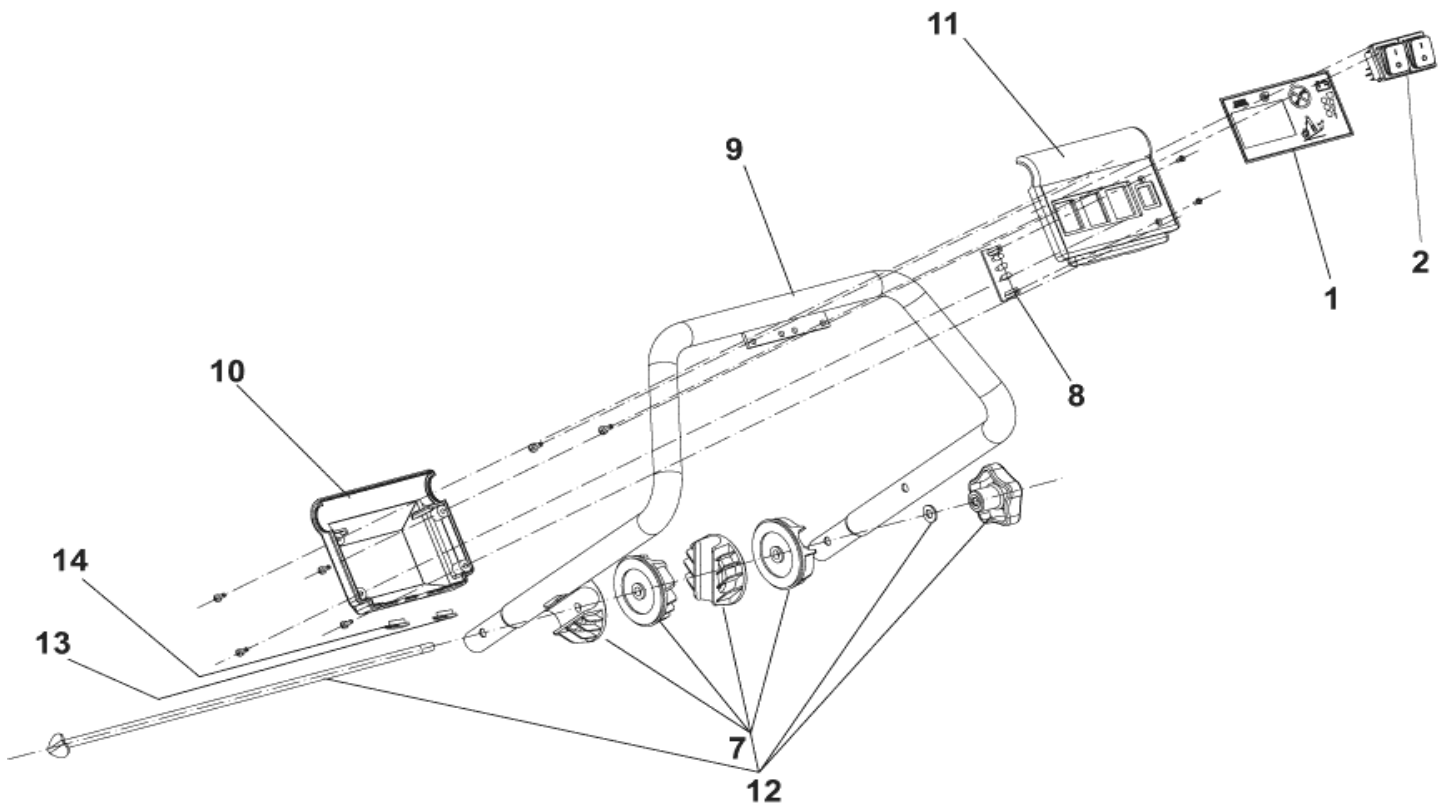
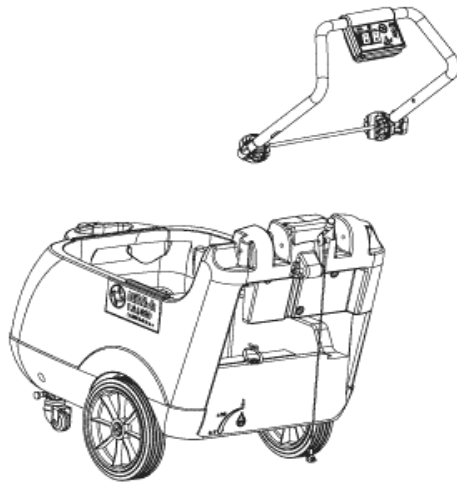
Handle assembly

BA 410

29-07-2010

Part List ID E79111

11



Handle assembly

BA 410

29-07-2010

Part List ID
E79111

12

Pos	Part no.	Qty	Description	EAN
0	909 5995 000	1	HARDWARE. HANDLE FIX. KIT	5711140125
1	909 5587 000	1	DECAL CONTROL PANEL	5711140123
2	909 5584 000	2	SWITCH	5711140123
7	909 5099 000	1	RATCHET HANDLE ADJUST.KIT	5711140120
8	L08812909	1	BOARD. LED	5711140020
9	909 5563 000	1	HANDLE BAR	5711140123
10	909 5847 000	1	HOUSING SWITCH LOWER	5711140124
11	909 5846 000	1	HOUSING SWITCH UPPER	5711140124
12	909 5701 000	1	HANDLE ADJUSTER KIT	5711140123
13	145 4260 000	1	CAP D.14.7	5711140011
14	145 4259 000	1	CAP. BLACK D.11.9	5711140011

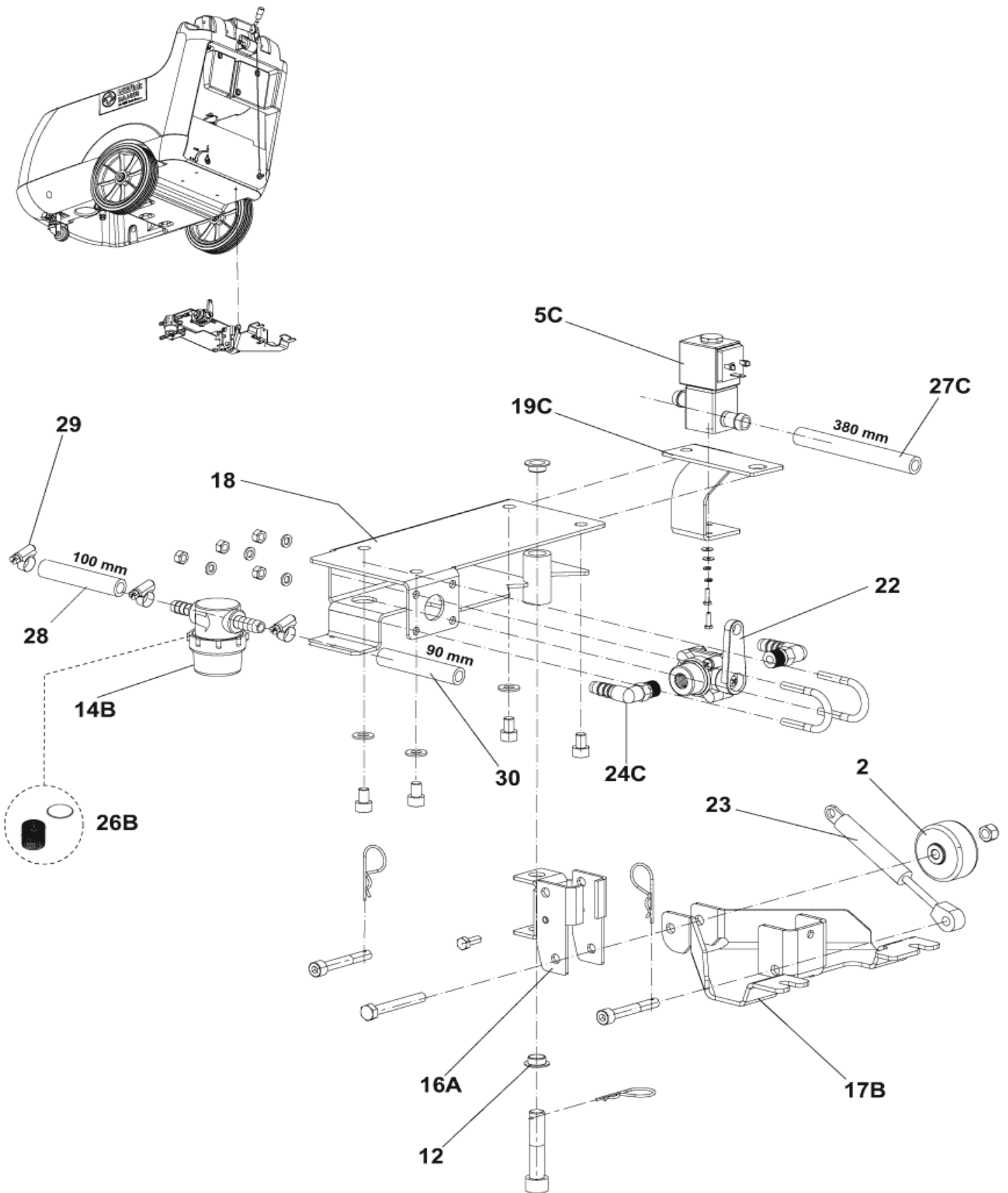
Solution system

BA 410

29-07-2010

Part List ID
E79113

13



Solution system

BA 410

29-07-2010

Part List ID
E79113

14

Pos	Part no.	Qty	Description	EAN
0	909 5990 000	1	HARDWARE. SOL.VAL.FIX.KIT	5711140125
2	L08603665	1	WHEEL D.51.SQUEEGEE	5711140015
0C	909 5977 000	1	SOLENOID VALVE KIT	5711140125
			INST.INSTR.CODE 9097873000	
0C	9097874000	1	CONNECTOR TYPE DIN 43650	5711140138
12	146 0549 000	2	BUSH FLANGED	5711140032
18	909 5571 000	1	PLATE	5711140123
22	909 5632 000	1	VALVE 1/4 FOR SOLEN.VALVE	5711140123
23	909 5637 000	1	SPRING GAS	5711140123
28	909 5026 000	1	HOSE D.10 L100	5711140120
29	145 8582 000	3	CLAMP 8/ 9-16	5711140023
30	145 4154 000	1	PIPE D.10 L 90	5711140011
5C	9097738000	1	SOLENOID VALVE 24V	5711140135
14B	9097166000	1	FILTER COMPLETE KIT	5711140132
16A	909 5566 000	1	BRACKET SQUEEGEE SUPPORT	5711140123
17B	909 5567 000	1	SUPPORT SQUEEGEE	5711140123
19C	9097866000	1	BRACKET SOLENOID VALVE	5711140138
24C	909 5651 000	2	HOLDER RUBBER 90. D.5	5711140123
26B	L08603893	1	NET FILTER WITH GASKET KIT	5711140016
27C	9097868000	1	HOSE D.12 L380MM	5711140138

A: SEE TSB IT 2007-015

B: SEE TSB IT 2007-021

C: SEE TSB IT 2008-016

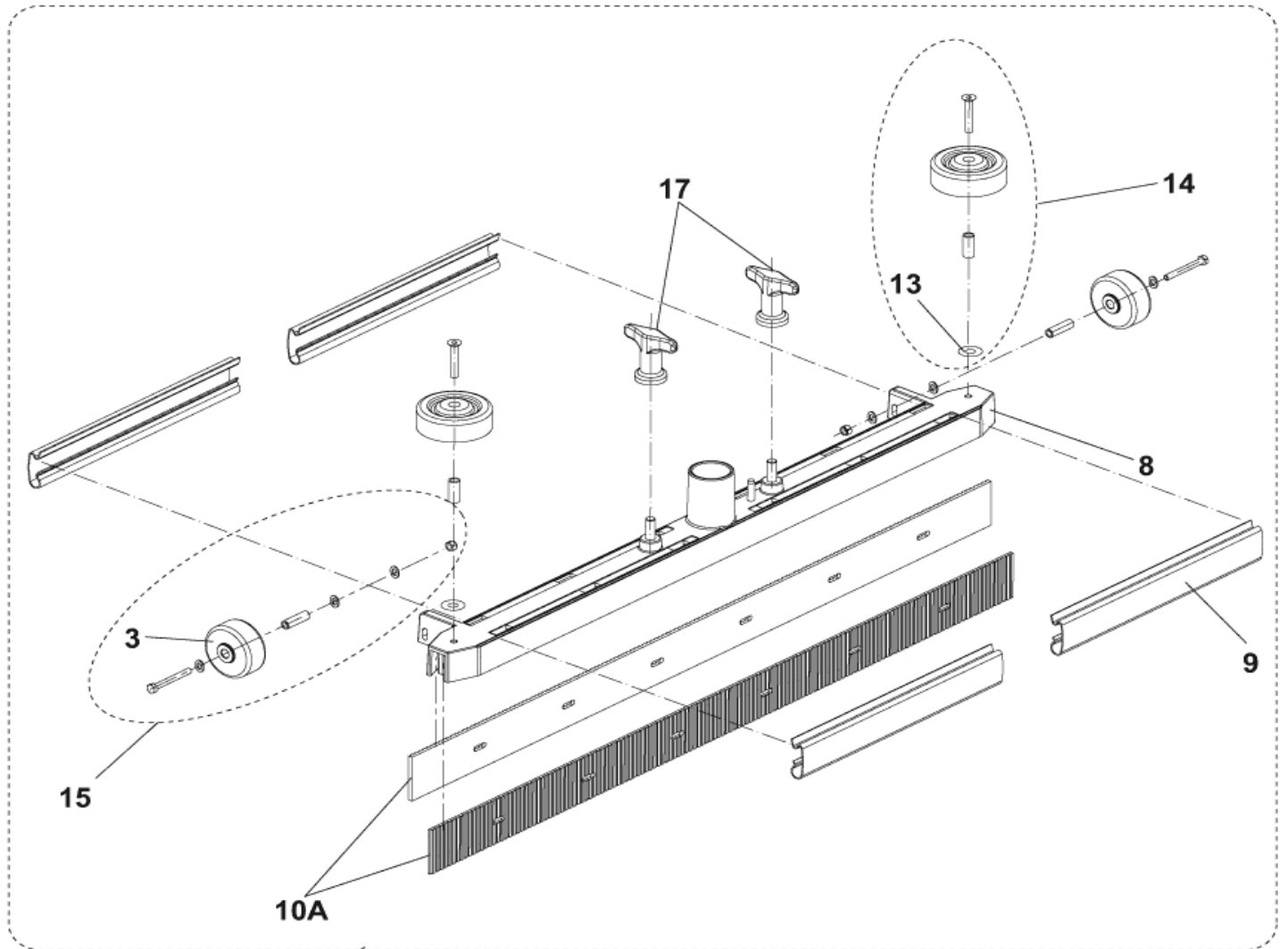
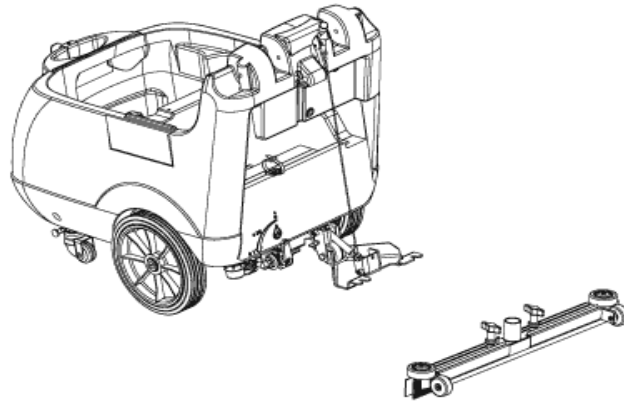
Squeegee assembly

BA 410

29-07-2010

Part List ID E79115

15



Squeegee assembly

BA 410

29-07-2010

Part List ID
E79115

16

Pos	Part no.	Qty	Description	EAN
0	909 5991 000	1	HARDWARE.SQUEEGEE FIX.KIT	5711140125
3	L08603665	2	WHEEL D.51.SQUEEGEE	5711140015
8	909 5554 000	1	WELDMENT SQUEEGEE TOOL	5711140123
9	909 5555 000	4	SPRING	5711140123
13	L08603689	2	WASHER 6X18X1.5 UNI6593 SS	5711140016
14	L08603880	1	ROLLER BUMPER KIT	5711140016
15	909 5703 000	1	WHEEL SQUEEGEE KIT	5711140123
16	909 5702 000	1	SQUEEGEE CPL STR.740MM/29 KIT	5715492037
17	9097637000	1	SQUEEGEE FIXING KIT	5711140134
10A	9097354000	1	BLADES PU KIT 720MM/28	5711140133

Brush system - before Serial no. 054920336

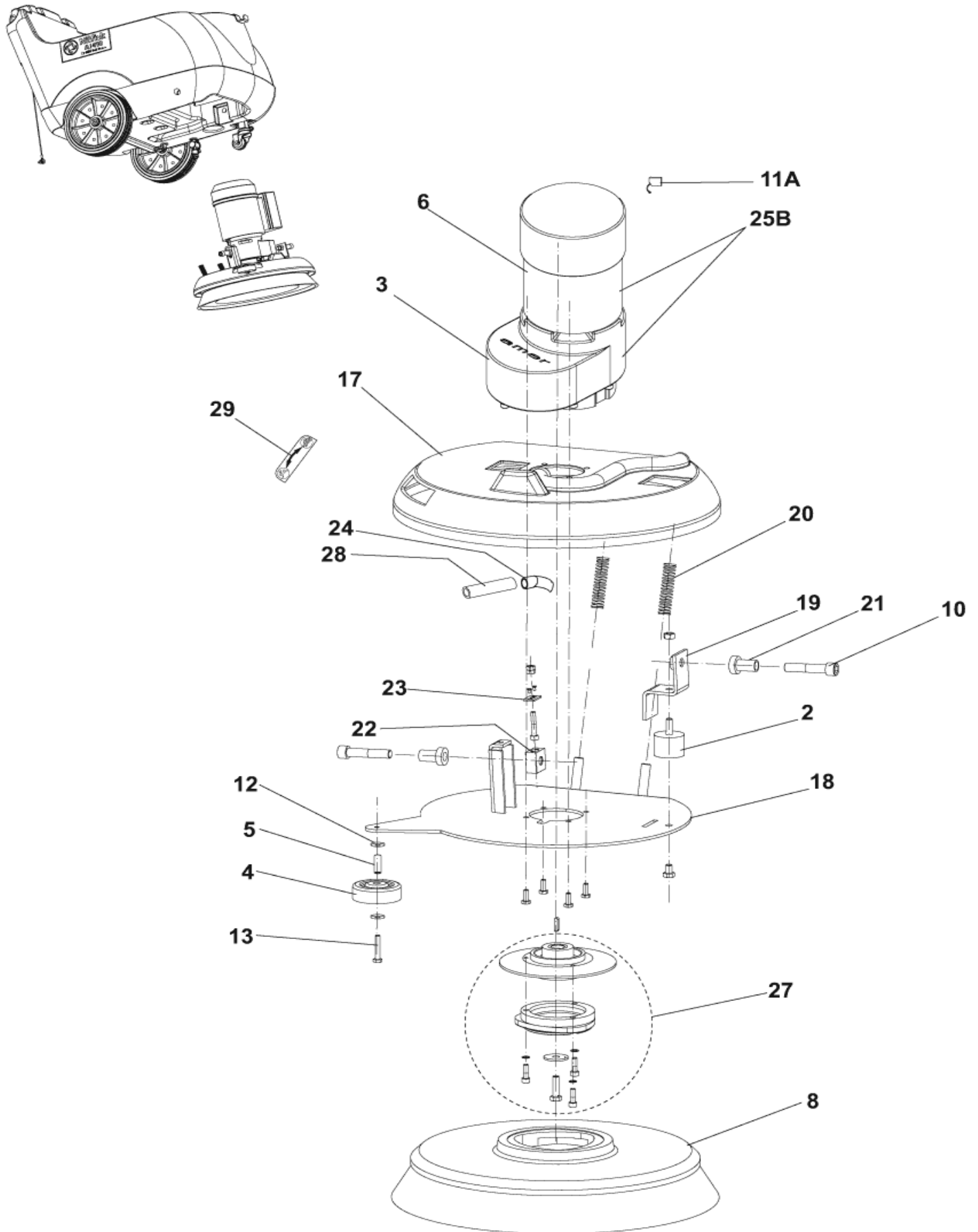
BA 410

29-07-2010

Part List ID

E79117

17



Brush system - before Serial no. 054920336

BA 410

29-07-2010

Part List ID E79117

18

Pos	Part no.	Qty	Description	EAN
0	909 5992 000	1	HARDWARE.BRUSH FIXING KIT	5711140125
2	9097184000	1	VIBRATION DAMPING M8 60SH	5711140132
3	L08603849	1	GEAR REDUCTION 1 19	5711140015
			SEE TSB IT 2007-011	
4	L08602460	1	ROLLER BUMPER	5711140013
5	909 5710 000	1	SPACER 6.5X9.5X24	5711140123
6	9097114000	1	MOTOR ELECTRIC 520W 24V	5711140132
			SEE TSB IT 2007-011	
8	L08812891	1	BRUSH D.430 PROLENE PPL	5711140019
10	146 2826 000	2	SCREW M12X55 UNI5931	5711140046
11	909 5720 000	1	BRUSH CARBON W/COVER KIT	5711140123
			SEE TSB IT 2007-011	
12	L08228600	2	WASHER 6X18 UNI6592	5711140012
13	33003978	1	SCREW M6X35 UNI5739	5711140062
17	909 5550 000	1	GUARD BRUSH	5711140123
18	909 6269 000	1	PLATE.BRUSH HOLDER	5711140127
19	909 6270 000	1	BRACKET	5711140127
20	909 5558 000	2	SPRING	5711140123
21	909 5559 000	2	BUSH FLANGED	5711140123
22	909 5585 000	1	ADJUSTER BLOCK F. BRUSH	5711140123
23	909 5586 000	1	PLATE	5711140123
24	909 5594 000	1	HOSE COPPER	5711140123
27	L08812589	1	HOLDER POLY.G.W/FLANGE KIT	5711140018
28	909 5622 000	1	HOSE	5711140123
29	9097769000	1	DECALS KIT BA 410	5711140137
25B	9097113000	1	MOTOR REDUCTION GEAR 520W 24V	5711140132
			SEE TSB IT 2007-011	

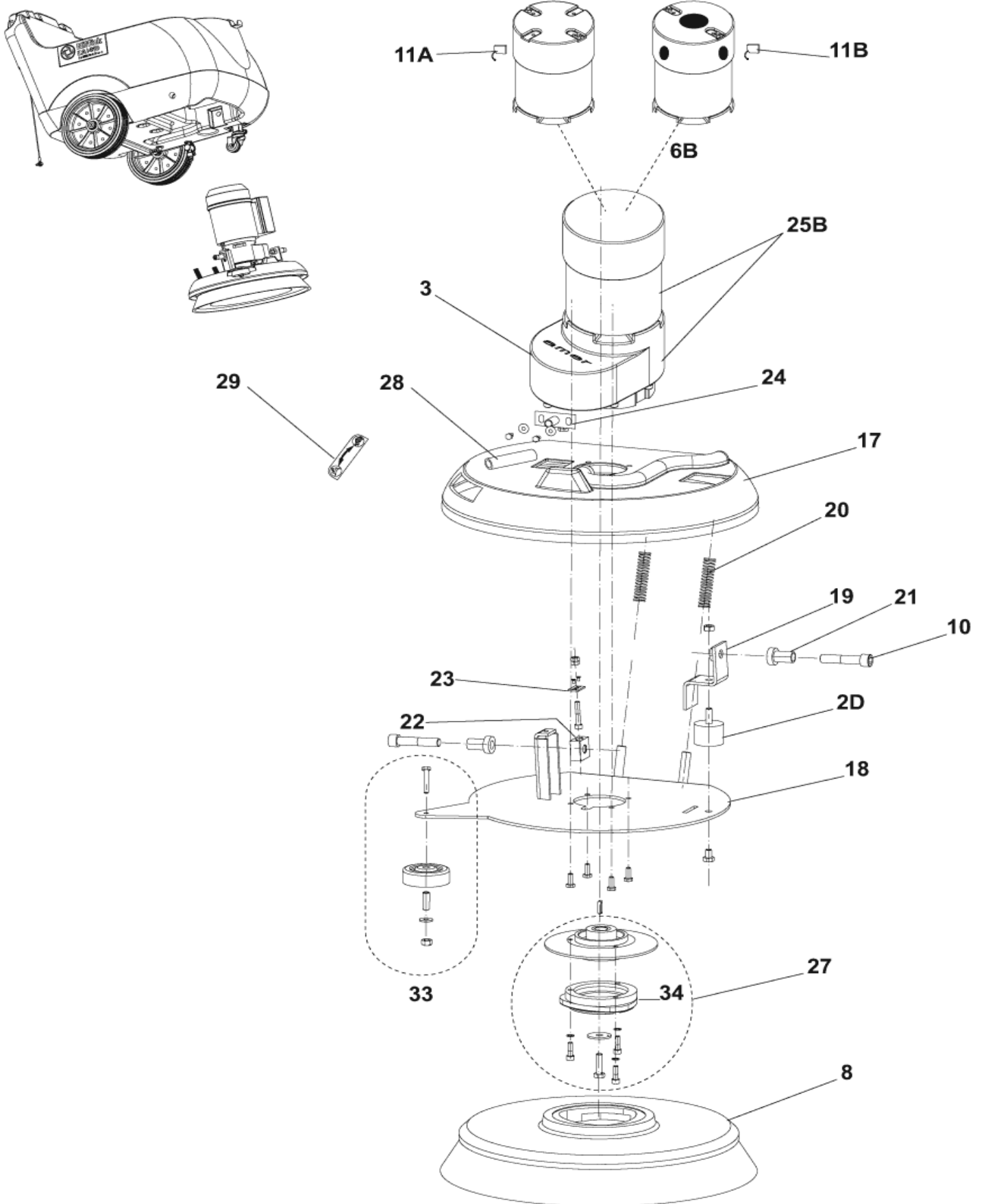
Brush system - from Serial no. 054920336

BA 410

29-07-2010

Part List ID E79119

19



Brush system - from Serial no. 054920336

BA 410

29-07-2010

Part List ID E79119

20

Pos	Part no.	Qty	Description	EAN
0	909 5992 000	1	HARDWARE.BRUSH FIXING KIT	5711140125
3	L08603849	1	GEAR REDUCTION 1 19	5711140015
			SEE TSB IT 2007-011	
8	L08812891	1	BRUSH D.430 PROLENE PPL	5711140019
10	146 2826 000	2	SCREW M12X55 UNI5931	5711140046
17	909 5550 000	1	GUARD BRUSH	5711140123
18	909 6269 000	1	PLATE.BRUSH HOLDER	5711140127
19	909 6270 000	1	BRACKET	5711140127
20	909 5558 000	2	SPRING	5711140123
21	909 5559 000	2	BUSH FLANGED	5711140123
22	909 5585 000	1	ADJUSTER BLOCK F. BRUSH	5711140123
23	909 5586 000	1	PLATE	5711140123
24	909 6217 000	1	HOSE COPPER	5711140126
27	L08812589	1	HOLDER POLY G.W/FLANGE KIT	5711140018
28	909 5622 000	1	HOSE	5711140123
29	9097769000	1	DECALS KIT BA 410	5711140137
2D	9097184000	1	VIBRATION DAMPING M8 60SH	5711140132
33	909 5397 000	1	ROLLER BUMPER KIT	5711140122
34	L08812480	1	HUB.BRUSH	5711140018
6B	9097114000	1	MOTOR ELECTRIC 520W 24V	5711140132
			SEE TSB IT 2007-011	
11A	909 5720 000	1	BRUSH CARBON W/COVER KIT	5711140123
			SEE TSB IT 2007-011	
11B	909 6893 000	1	BRUSH CARBON KIT 4PCS	5711140131
			FOR NEW MOTOR	
25B	9097113000	1	MOTOR REDUCTION GEAR 520W 24V	5711140132
			SEE TSB IT 2007-011	

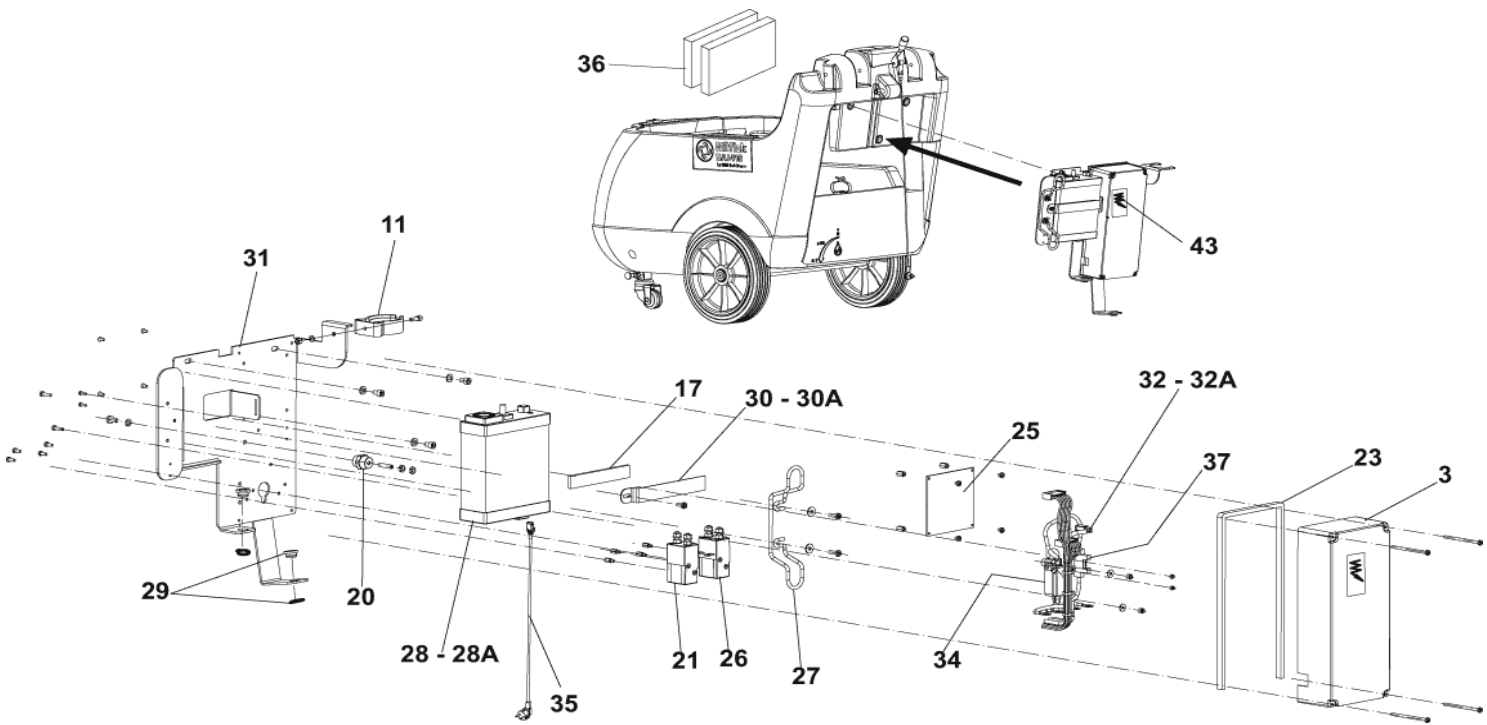
Wiring system

BA 410

29-07-2010

Part List ID
E79121

21



Wiring system

BA 410

29-07-2010

Part List ID
E79121

22

Pos	Part no.	Qty	Description		EAN
0	145 0227 000	1	FUSE BLADE 40A		5711140009
0	145 1248 000	1	CAP D. 7.9	FROM S.NO.055121383	5711140011
0	145 3824 000	1	FUSE STRIP 40A		5711140009
0	145 9852 000	1	6FUSE 5A		5711140009
0	80564200	2	BATT.12V-50AH GEL MONOBLOC		
0	80564300	2	BATT.12V-70AH GEL MONOBLOC		
0	909 5595 000	1	HARNESS MACHINE W CHARG.	BEFORE S.NO.084835196	5711140123
0	909 5675 000	1	HARNESS MACHINE W/O CHAR	BEFORE S.NO.084835196	5711140123
0	909 5994 000	1	HARDWARE. WIRING FIX. KIT		5711140125
0	909 6446 000	1	FAN COOLING	FROM S.NO.055121383	5711140128
0	909 6447 000	1	COVER ABS	FROM S.NO.055121383	5711140128
0	909 6448 000	1	WIRES BATT.CHARGER KIT	FROM S.NO.055121383	5711140128
0	9097590000	1	CABLE BATTERY INTERCONNECTION		5711140134
0	9097971000	1	HARNESS MACHINE W/CHARGER	FROM S.NO.084835196	7319519678
0	9097972000	1	HARNESS MACHINE W/O CHARGER	FROM S.NO.084835196	7319519678
0	L08603889	1	HARNESS BATTERY		5711140016
3	909 6568 000	1	COVER ELECTRONIC CARD	FROM S.NO.055121383	5711140128
0A	909 5982 000	1	CABLE POWER BAT.CHARGER	BEFORE S.NO.055121383	5711140125
11	909 6380 000	1	CLAMP KIT		5711140127
17	146 0656 000	1	GASKET		5711140033
20	146 0708 000	1	INSULATOR M6 WHITE		5711140033
21	909 5127 000	1	SWITCH ELECTROMAGNETIC 24V D		5711140121
23	146 2118 000	1	GASKET		5711140042
25	909 5098 000	1	CARD ELECTRONIC		5711140120
26	146 0719 000	1	SWITCH ELECTROMAGNETIC 24V		5711140033
27	909 5149 000	1	SUPPORT CABLE		5711140121
28	909 6425 000	1	CHARGER BATTERY 24V 8A 100-2	FROM S.NO.055121383	5711140128
29	909 6062 000	2	BUSH. KIT		5711140125
30	909 6234 000	1	BRACKET	FROM S.NO.055121383	5711140126
31	909 5788 000	1	PLATE. ELECT.COMP.FIXING		5711140124
32	909 6426 000	1	HARNESS ELECTRONIC CARD	FROM S.NO.055121383	5711140128
34	145 8046 000	1	HOLDER FUSE		5711140009
35	909 5633 000	1	CABLE EXTENSION		5711140123
35	909 5676 000	1	CABLE EXTENSION UK PLUG		5711140123
35	9096914000	1	CABLE EXTENSION		5711140131
36	L08812670	2	RESTRAINT. BATTERY		5711140019
37	146 0660 000	1	HOLDER FUSE		5711140033
43	9097769000	1	DECALS KIT BA 410		5711140137
28A	909 6428 000	1	CHARGER BAT.ON BOARD KIT	BEFORE S.NO.055121383	5711140128

30A: SEE TSB IT 2006-002

32A: SEE TSB IT 2006-002

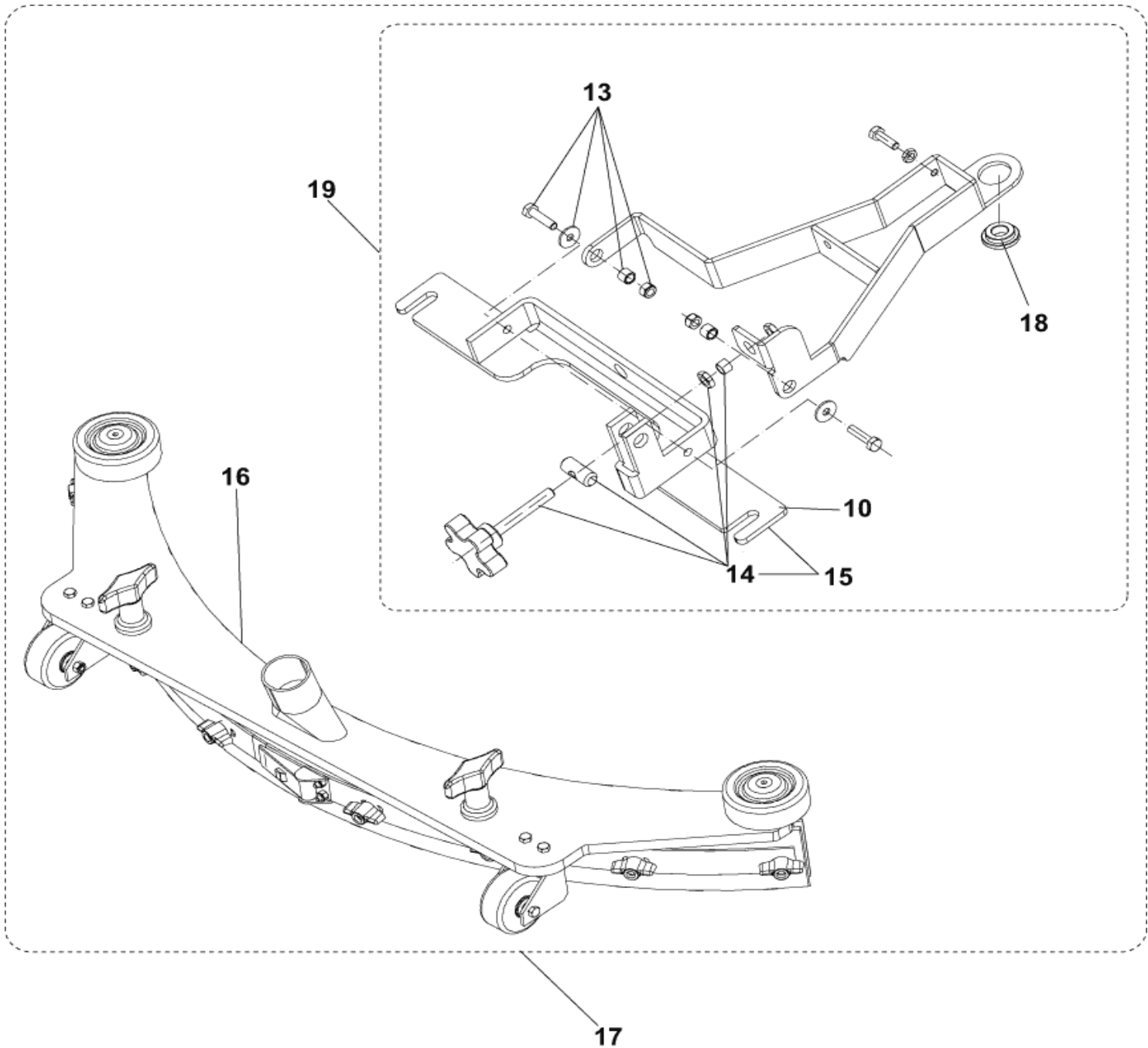
Accessory: Squeegee curved

BA 410

29-07-2010

Part List ID
E79129

23



Accessory: Squeegee curved

BA 410

29-07-2010

Part List ID
E79129

24

Pos	Part no.	Qty	Description	EAN
0	909 6483 000	1	BLADE NEOPRENE FRONT	5715492037
0	909 6484 000	1	BLADE NEOPRENE REAR	5715492037
10	L08812952	1	HOLDER SQUEEGEE	5711140020
13	L08812521	1	HARDWARE SQUEEGEE FIX KIT	5711140018
14	L08812518	1	SCREAS.ADJUSTING KIT	5711140018
15	L08603876	1	HOLDER.SQUEEGEE KIT	5711140016
16	L08603878	1	SQUEEGEE CPL KIT 30	5711140016
17	909 5916 000	1	SQUEEGEE CPL KIT 30	INST.INSTR.CODE 909 5917 000 5711140125
18	909 5915 000	1	SPACER	5711140125
19	909 6047 000	1	SUPPORT SQUEEGEE KIT	5711140125

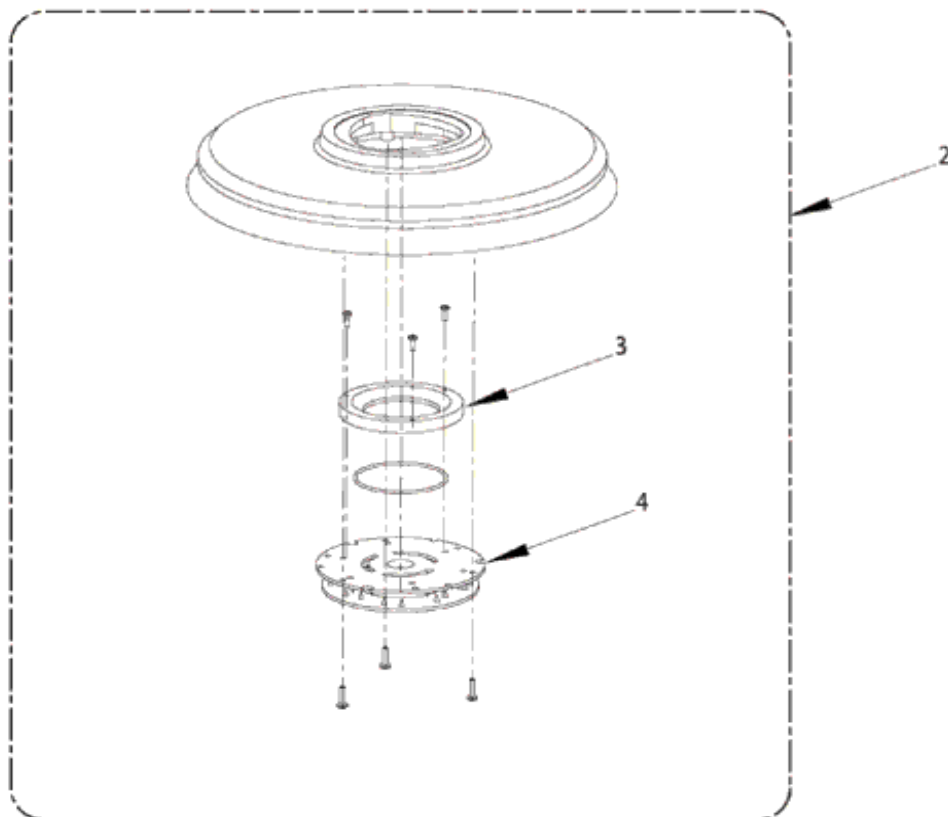
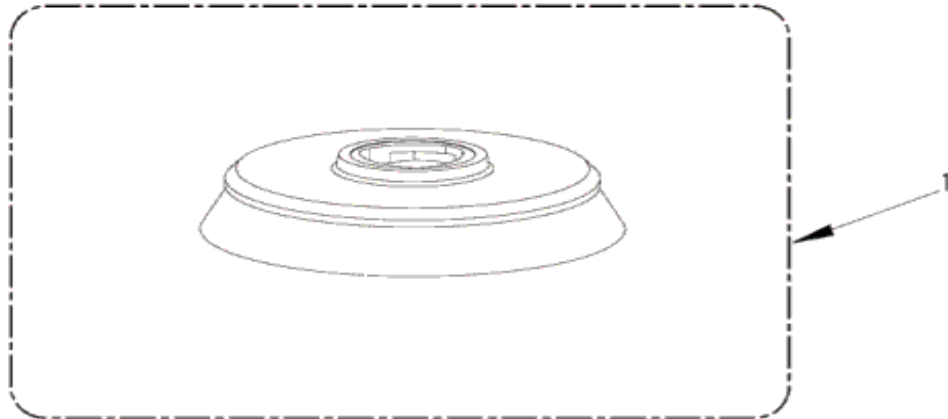
Accessories: Brush, pad, others

BA 410

29-07-2010

Part List ID E79131

25



Accessories: Brush, pad, others

BA 410

29-07-2010

Part List ID E79131

26

Pos	Part no.	Qty	Description	EAN
0	909 5065 000	1	FILTER ANTIFOAMING	5711140120
0	9096916000	1	FILTER SOLUTION TANK	5711140131
1	909 5691 000	1	BRUSH D.430 MIDLITE GRIT	4005337108
1	909 5692 000	1	BRUSH D.430 MIDGRIT 240	4005337108
1	909 5693 000	1	BRUSH D.430 PROLITE	4005337108
1	909 5694 000	1	BRUSH D.430 UNION MIX	4005337108
1	L08812891	1	BRUSH D.430 PROLENE PPL	5711140019
2	909 5695 000	1	PADHOLDER KIT CPL 410	5715492037
3	L08603966	1	RING NYLON	5711140016
4	L08837030	1	RETAINER PAD	5711140020

Recommended spare parts

BA 410

29-07-2010

Part List ID E79132

27

No Drawing For Part List

Recommended spare parts

BA 410

29-07-2010

Part List ID E79132

28

Pos	Part no.	Qty	Description	EAN
1	9097166000	1	FILTER COMPLETE KIT	5711140132
2	L08603893	1	NET FILTER WITH GASKET KIT	5711140016
3	909 5716 000	1	GASKET	5711140123
4	9097354000	1	BLADES PU KIT 720MM/28	5711140133
6	909 5555 000	4	SPRING	5711140123
7	L08812891	1	BRUSH D.430 PROLENE PPL	5711140019
10	9098255000	1	HOSE DRAIN	5711140140
11	909 5578 000	1	HOSE SUCTION	5711140123
12	909 6060 000	1	HOSE.SUCTION	5711140125
13	909 5579 000	1	HOSE VACUUM MOTOR	5711140123
14	145 0227 000	1	FUSE BLADE 40A	5711140009
15	145 3824 000	1	FUSE STRIP 40A	5711140009
16	145 9852 000	1	6FUSE 5A	5711140009
20	9097738000	1	SOLENOID VALVE 24V	5711140135
21	909 5977 000	1	SOLENOID VALVE KIT	5711140125
22	909 5651 000	1	HOLDER RUBBER 90. D.5	5711140123
23	909 5696 000	1	VALVE	5711140123
24	9098231000	1	CARBON BRUSH KIT 2PCS	5711140139
25	9098233000	1	MOTOR VACUUM KIT	5711140148
26	909 5371 000	2	BRUSH CARBON	5711140122
27	909 5573 000	1	CABLE SQUEEGEE LIFTING	5711140123
28	909 5700 000	1	CABLE SQUEEGEE LIFT KIT	5711140123
29	909 5564 000	1	PIPE ACOUSTIC INSULATION	5711140123
30	909 5565 000	1	PIPE ACOUSTIC INSULATION	5711140123
31	9097113000	1	MOTOR REDUCTION GEAR 520W 24V	5711140132
32	909 6893 000	1	BRUSH CARBON KIT 4PCS	5711140131
34	909 5720 000	1	BRUSH CARBON W/COVER KIT	5711140123
35	9097184000	1	VIBRATION DAMPING M8 60SH	5711140132
36	909 5558 000	2	SPRING	5711140123
37	909 5397 000	1	ROLLER BUMPER KIT	5711140122
38	9096915000	2	WHEEL	5711140131
39	909 5099 000	1	RATCHET HANDLE ADJUST.KIT	5711140120
40	909 5701 000	1	HANDLE ADJUSTER KIT	5711140123
41	909 5554 000	1	WELDMENT SQUEEGEE TOOL	5711140123
42	909 5702 000	1	SQUEEGEE CPL STR.740MM/29 KIT	5715492037
43	909 5703 000	2	WHEEL SQUEEGEE KIT	5711140123
44	L08603880	2	ROLLER BUMPER KIT	5711140016
45	909 6062 000	1	BUSH. KIT	5711140125
46	909 5584 000	1	SWITCH	5711140123
47	909 5098 000	1	CARD ELECTRONIC	5711140120
48	909 6428 000	1	CHARGER BAT.ON BOARD KIT	5711140128

Pos. 1-7 - Wear parts

Pos. 10-16 - Ordinary maintenance

Pos. 20-51 - Extraordinary maintenance

Recommended spare parts

BA 410

29-07-2010

Part List ID E79132

29

Pos	Part no.	Qty	Description	EAN
49	909 6425 000	1	CHARGER BATTERY 24V 8A 100-2	5711140128
50	146 0719 000	1	SWITCH ELECTROMAGNETIC 24V	5711140033
51	909 5127 000	1	SWITCH ELECTROMAGNETIC 24V D	5711140121

Pos. 1-7 - Wear parts

Pos. 10-16 - Ordinary maintenance

Pos. 20-51 - Extraordinary maintenance

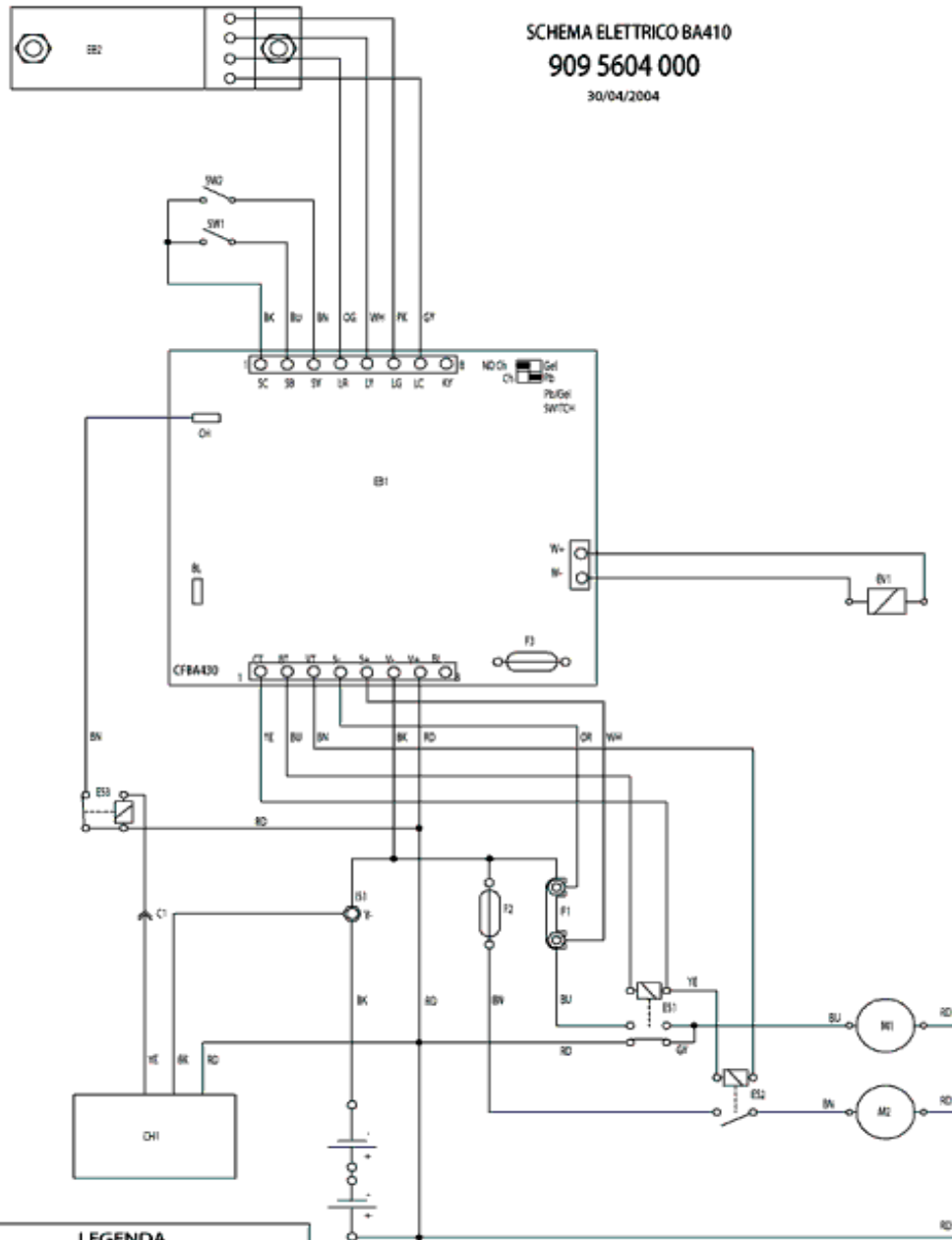
Wiring diagram - before Serial no. 055121383

BA 410

29-07-2010

Part List ID
E79133

30



LEGENDA	
CH	BATTERY CHARGER (OPT)
C1	CHARGER OUTPUT CONNECTOR (OPT)
EB1	ELECTRONIC BOARD (CFBA430)
EB2	LED BOARD (CFBALED)
ES1	BRUSH EL. SWITCH
ES2	VACUUM EL. SWITCH
ES3	CHARGER OUTPUT RELAIS (OPT)
EV1	WATER ELECTRIC VALVE
F1	BRUSH FUSE (40A)
F2	VACUUM FUSE (40A)
F3	WATER VALVE & ELECTR. FUSE (5A)
IS1	NEGATIVE INSULATOR
M1	BRUSH MOTOR
M2	VACUUM MOTOR
SW1	BRUSH SWITCH
SW2	VACUUM SWITCH

Wiring diagram - before Serial no. 055121383

BA 410

29-07-2010

Part List ID E79133

31

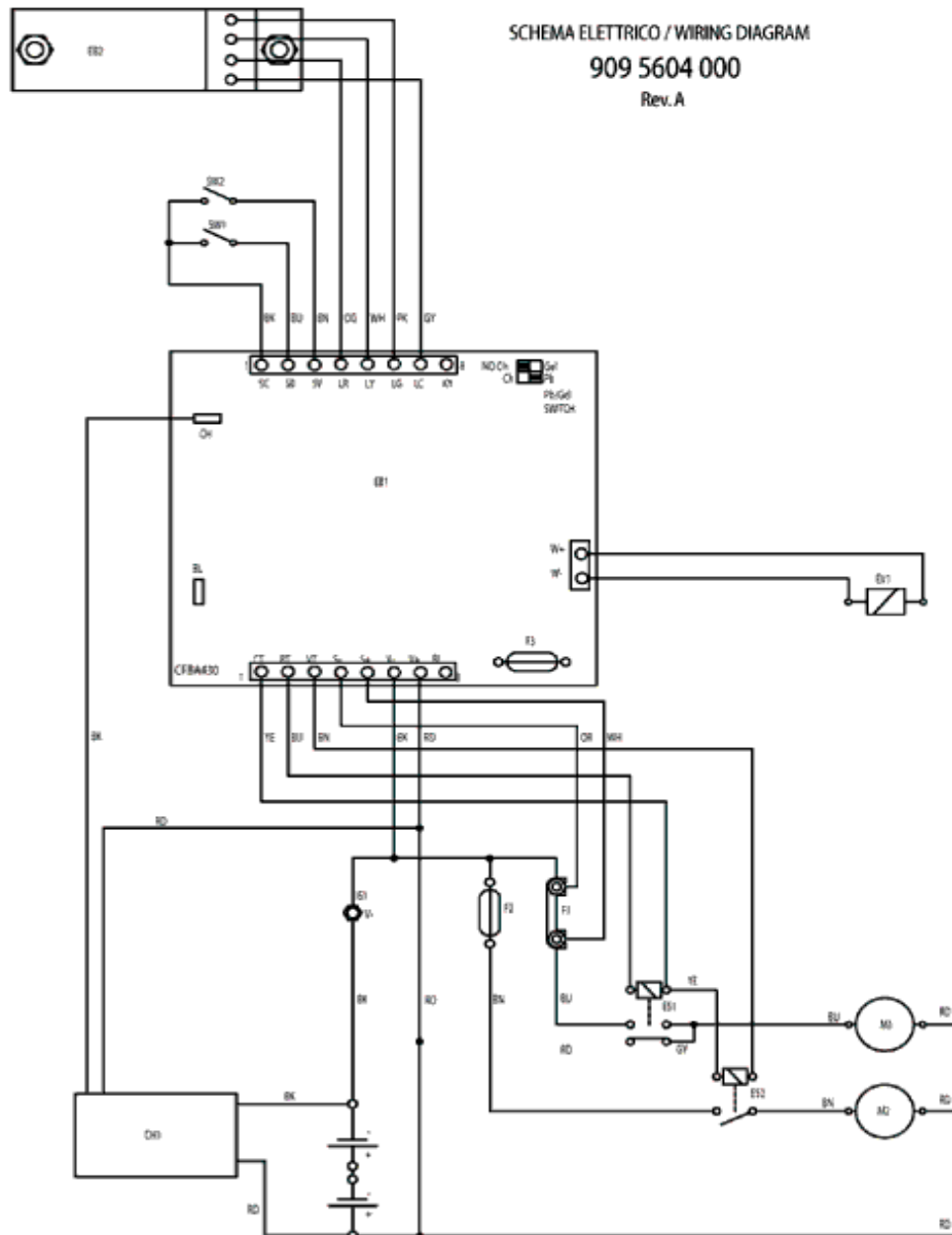
Wiring diagram - from Serial no. 055121383

BA 410

29-07-2010

Part List ID
E79134

32



LEGENDA	
Ch	BAATTERY CHARGER (OPT)
C1	CHARGER OUTPUT CONNECTOR (OPT)
EB1	ELECTRONIC BOARD (CFBA430)
EB2	LED BOARD (CFBALED)
ES1	BRUSH EL SWITCH
ES2	VACUUM EL SWITCH
EV1	WATER ELECTRIC VALVE
F1	BRUSH FUSE (40A)
F2	VACUUM FUSE (40A)
F3	WATER VALVE & ELECTR. FUSE (5A)
IS1	NEGATIVE INSULATOR
M1	BRUSH MOTOR
M2	VACUUM MOTOR
SB1	BRUSH SWITCH
SB2	VACUUM SWITCH

COLORS CODES		
BK	BLACK	nero
BU	BLUE	azzurro
BN	BROWN	marone
GN	GREEN	verde
GT	GREY	grigio
OG	ORANGE	arancio
PK	PINK	rosa
RD	RED	rosso
VT	VIOLET	viola
WH	WHITE	bianco
YE	YELLOW	giallo

Wiring diagram - from Serial no. 055121383

BA 410

29-07-2010

Part List ID E79134

33