

GENUINE SPARE PARTS

STAR 28 D Model Year 2008

- Use GLOBAL GARDEN PRODUCT Genuine Spare Parts specified in the parts list for repair and/or replacement.
- The contents described in the parts list may change due to improvement.
- The drawings of the spare parts are only indicative and might not represent the part in question exactly.
- The indications "right" - "left" - "front" - "rear" refer to the position of the operator when using the machine.
- When placing orders of parts for repair and/or replacement, make sure that the illustrated parts list is the one applying to the machine's year of manufacture, as shown on the identification plate attached to the machine.

COPYRIGHT by GLOBAL GARDEN PRODUCTS

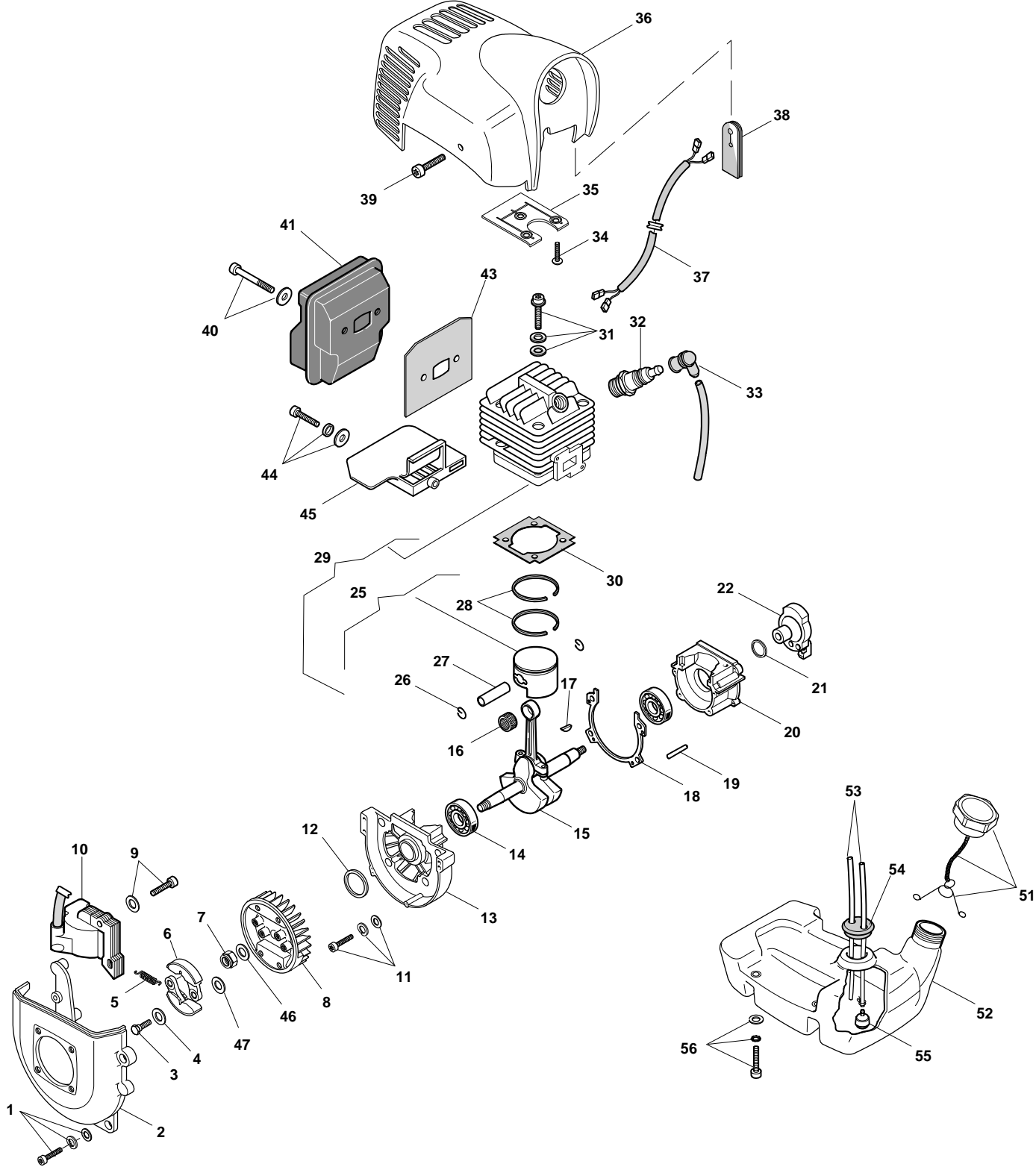
All rights reserved. No part of this material may be reproduced or transmitted, in any form or by any means, electronic or mechanical, including photocopying, recording or by any information storage and retrieval system, without permission in writing from GLOBAL GARDEN PRODUCTS.

...THINKING GREEN





Engine 1



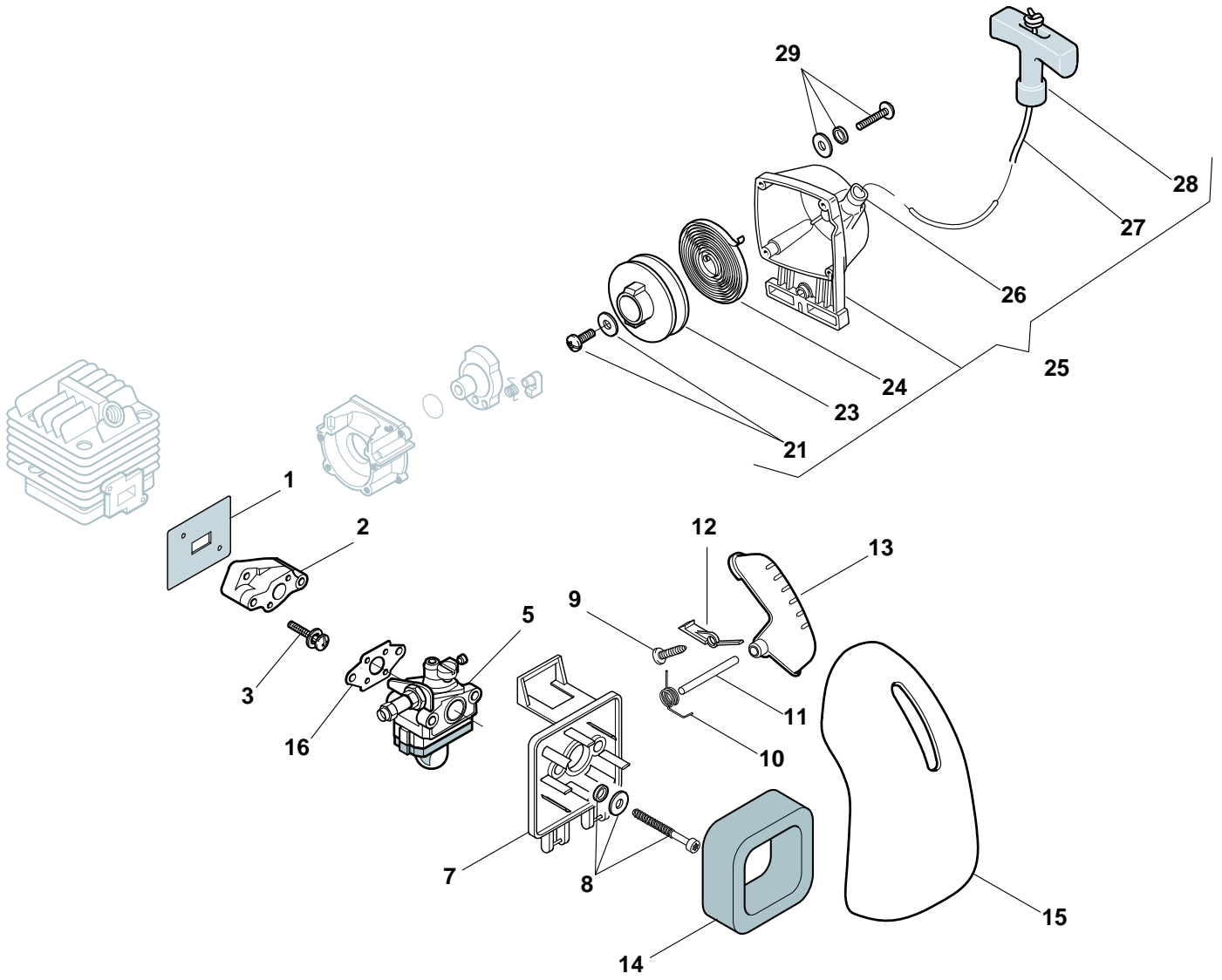


STAR 28 D - Model Year 2008

Engine 1

Pos.	Part no.	Q.ty	Description	Remarks
1	6981113	4	Screws Set	
2	6981009	1	Transm.Support Case	
3	6981035	2	Screw	
4	6981033	2	Washer	
5	6981034	1	Spring	
6	6981032	2	Clutch Unit	
7	6981143	1	Nut	
8	6981002	1	Flywheel Ass.Y	
9	6981116	2	Screws Set	
10	6981001	1	Elettronic Coil	
11	6981114	4	Screws Set	
12	6981008	1	Seal Ring	
13	6981005	1	Front Crank Case	
14	6981097	2	Ball Bearing	
15	6981016	1	Crankshaft	
16	6981017	1	Needle Bearing	
17	6981096	1	Flywheel Key	
18	6981007	1	Gasket	
19	6981126	3	Centring Pin	
20	6981006	1	Rear Crank Case	
21	6981008	1	Seal Ring	
22	6981031/1	1	Starter Cup	
25	6981012	1	Piston Ass' Y	
26	6981015	2	Washer, Piston Pin	
27	6981014	1	Piston Pin	
28	6981013	2	Piston Ring	
29	6981003	1	Cylinder - Piston Ass'Y	
30	6981004	1	Cylinder Gasket	
31	6981113	4	Screws Set	
32	6981106	1	Spark Plug	
33	6981023	1	Cover, Spark Plug	
34	6981285	3	Screws Set	
35	6981044	1	Guard Assy	
36	6981122	1	Engine Cover Yellow	
37	6981022	2	Cable	
38	6981021	1	Cable Retainer	
39	6981098	2	Screws Set	
40	6981115	2	Screws Set	
41	6981040	1	Muffler	
43	6981041	1	Gasket	
44	6981116	1	Screws Set	
45	6981043	1	Guard Assy	
46	6981128	1	Washer	
47	6981276	2	Washer	
51	6981091	1	Cap Ass'Y, Fuel Tank	
52	6981036	1	Kit Fuel Tank	
53	6981038	2	Fuel Hose	
54	6981039	1	Grommet Assy	
55	4253291	1	Intake Filter	
56	6981101	4	Screws Set	

Engine 2





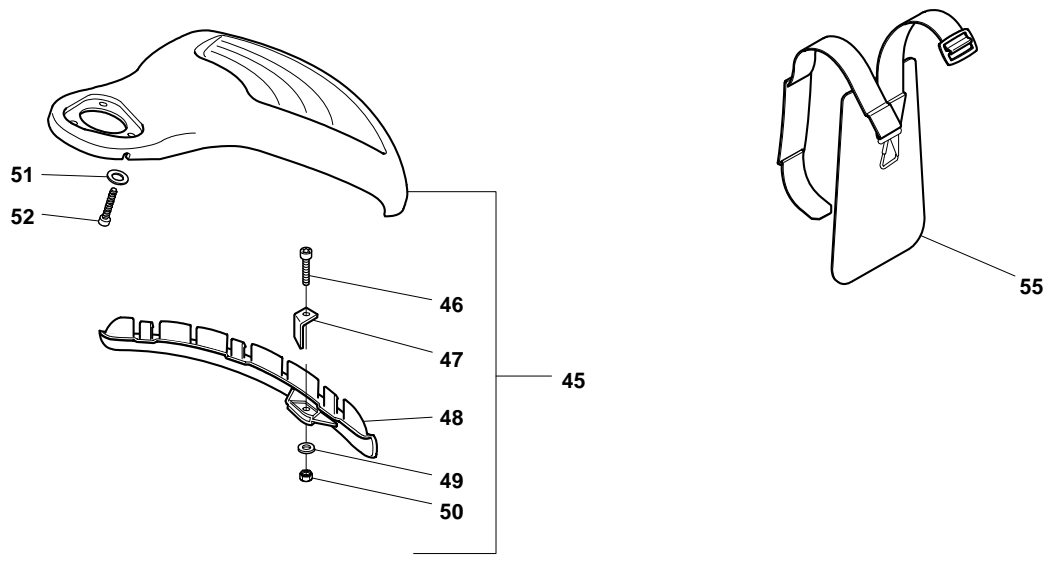
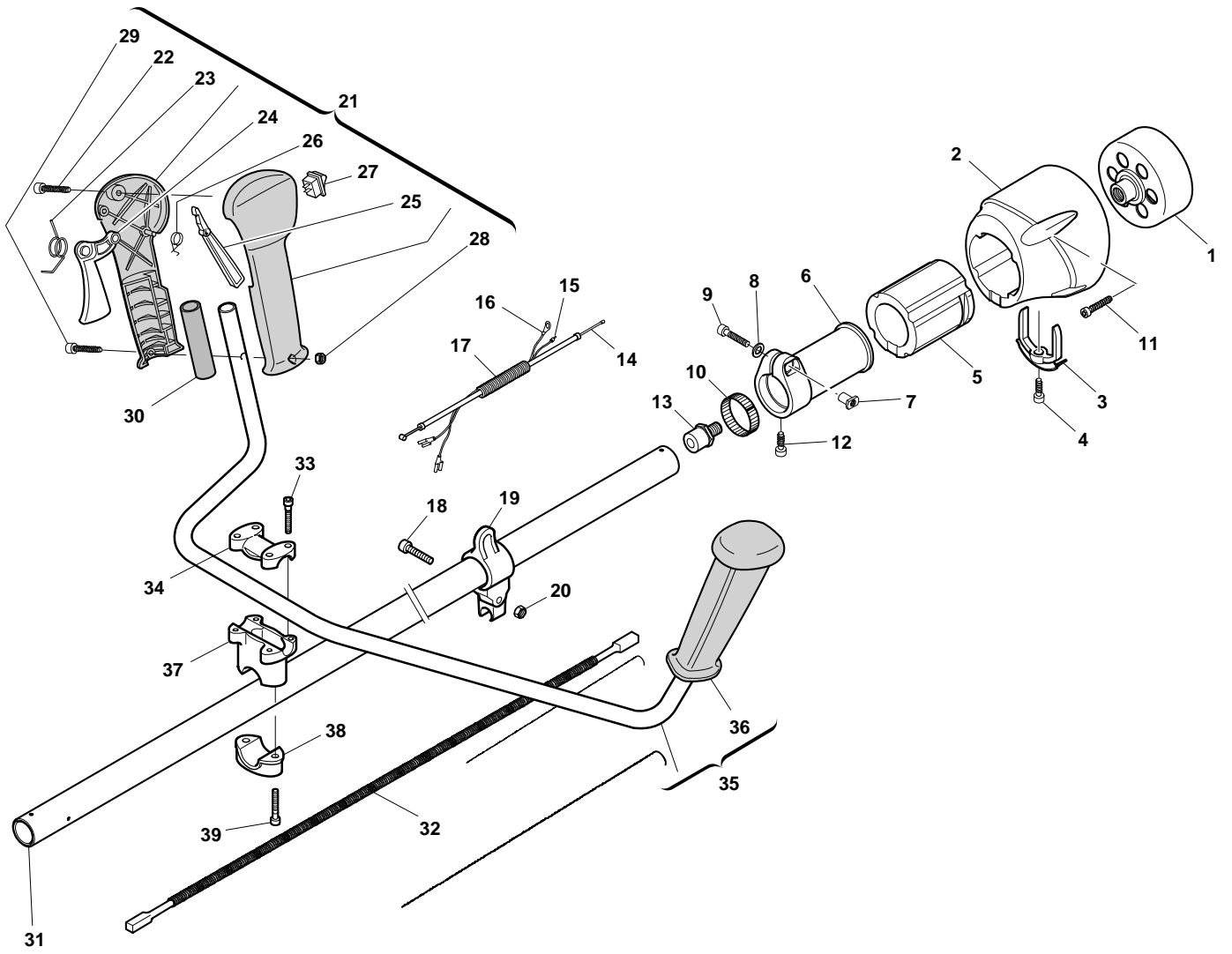
STAR 28 D - Model Year 2008

Engine 2

Pos.	Part no.	Q.ty	Description	Remarks
1	6981011	1	Intake Manif-Gasket	
2	6981010	1	Intake Manifold	
3	6981266	2	Screws Set	
5	23054010/0	1	Carburettor	Walbro WYJ 393 (534)
7	6981019	1	Air Filter Holder	
8	6981105	2	Screws Set	
9	6981269	2	Screw	
10	6981045	1	Spring	
11	6981046	1	Pin	
12	6981047	1	Retainer	
13	6981107	1	Button	
14	6981020	1	Air Filter	
15	6981120	1	Yellow Filter Cover	
16	6981018	1	Gasket-Diaph.Set	
21	6981099	1	Screw	
23	6981026	1	Starter Pulley	
24	6981025	1	Spring	
25	6981024/1	1	Starter Ass.Y	
26	6981028	1	Rope Guide	
27	6981029	1	Starter Cord	
28	6981027	1	Starter Handle	
29	6981116	4	Screws Set	



STAR 28 D - Model Year 2008
Handle-transmission





STAR 28 D - Model Year 2008

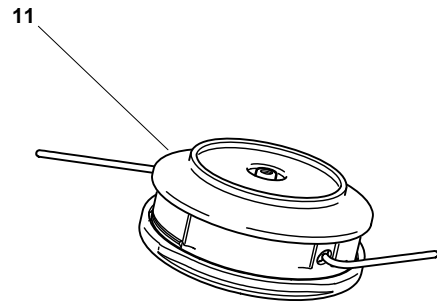
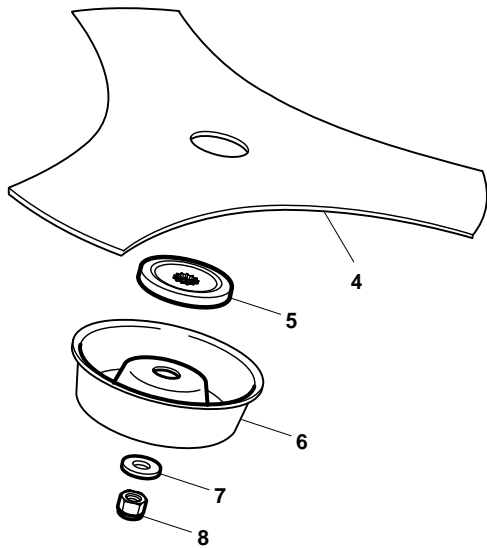
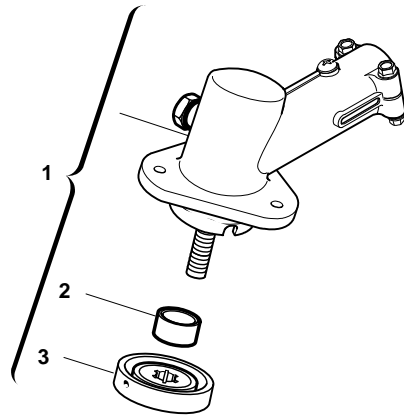
Handle-transmission

Pos.	Part no.	Q.ty	Description	Remarks
1	83050004/0	1	Drum Ass'Y, Clutch	
2	23782005/0	1	Support Trasm.Assy	
3	23232001/0	1	Fork	
4	2123100	1	Screw	
5	23275000/0	1	Grommet	
6	23782003/0	1	Support	
7	3643470	1	Bushing	
8	2312020	1	Washer	
9	2135040	1	Screw	
10	3180560	1	Reduction	
11	2135160	4	Screw	
12	2653090	1	Screw	
13	23445258/0	1	Bearing Hub	
14	4252720	1	Cable, Trottle	
15	23065002/0	1	Coil-Switch Cable	
16	23065015/0	1	Earth Cable	
17	3786240	1	Wire Sheath	
18	2135040	1	Screw	
19	23780000/0	1	Harness Support	
20	2412030	1	Nut	
21	8563830	1	Handle Ass.Y	
22	2123030	1	Screw	
23	3654270/1	1	Spring	
24	3743431/1	1	Throttle Lever	
25	3743441	1	Safety Lever	
26	3654280/1	1	Spring	
27	3210970	1	Stop Switch	
28	12154330/0	1	Nut	
29	2135050	1	Screw	
30	23655001/0	1	Reduction	
31	83869052/0	1	Trasmission Pipe Ass.Y	
32	23020009/0	1	Transmission Shaft Ass.Y	
33	2135060	4	Screw	
34	4541500/1	1	Upper Handgrip Support	
35	83394003/0	1	Handle Ass.Y	
36	23395050/0	1	Left Handle	
37	4541490/1	1	Handle Support	
38	4541510	1	Lower Handgrip Support	
39	2135050	2	Screw	
45	83465003/0	1	Safety Cover Ass.Y	
46	2135030	1	Screw	
47	3615000	1	Line Cutter	
48	23600051/0	1	Protection	
49	2312150	1	Washer	
50	2432040	1	Nut	
51	2312150	3	Washer	
52	2135180	3	Screw	
55	4253460	1	Harness	



STAR 28 D - Model Year 2008

Gear case



Pos.	Part no.	Q.ty	Description	Remarks
1	23820000/0	1	Gear Case Assy	
2	6980307	1	Collar	
3	6980338	1	Upper Ring Nut	
4	6031172	1	3 Teeth Disc 25 Cm	
5	3612650	1	Lower Ring Nut	
6	3615300	1	Stabilizer	
7	2321060	1	Washer	
8	2452090	1	Nut	
11	23155000/0	1	2 Hedges Nylon Head	