

AERO 20, AERO 25

Model:

Aero 20-01

Aero 20-11

Aero 20-21

Aero 25-01

Aero 25-11

Aero 25-21



Part List US-English

25-03-2011

Table of Contents

AERO 20, AERO 25

Hood and power cord	3
Motor, filter	5
Container 20, 25	7
Container 35 INOX	9
Accessories	11
RECOMMENDED SPARE PARTS	13

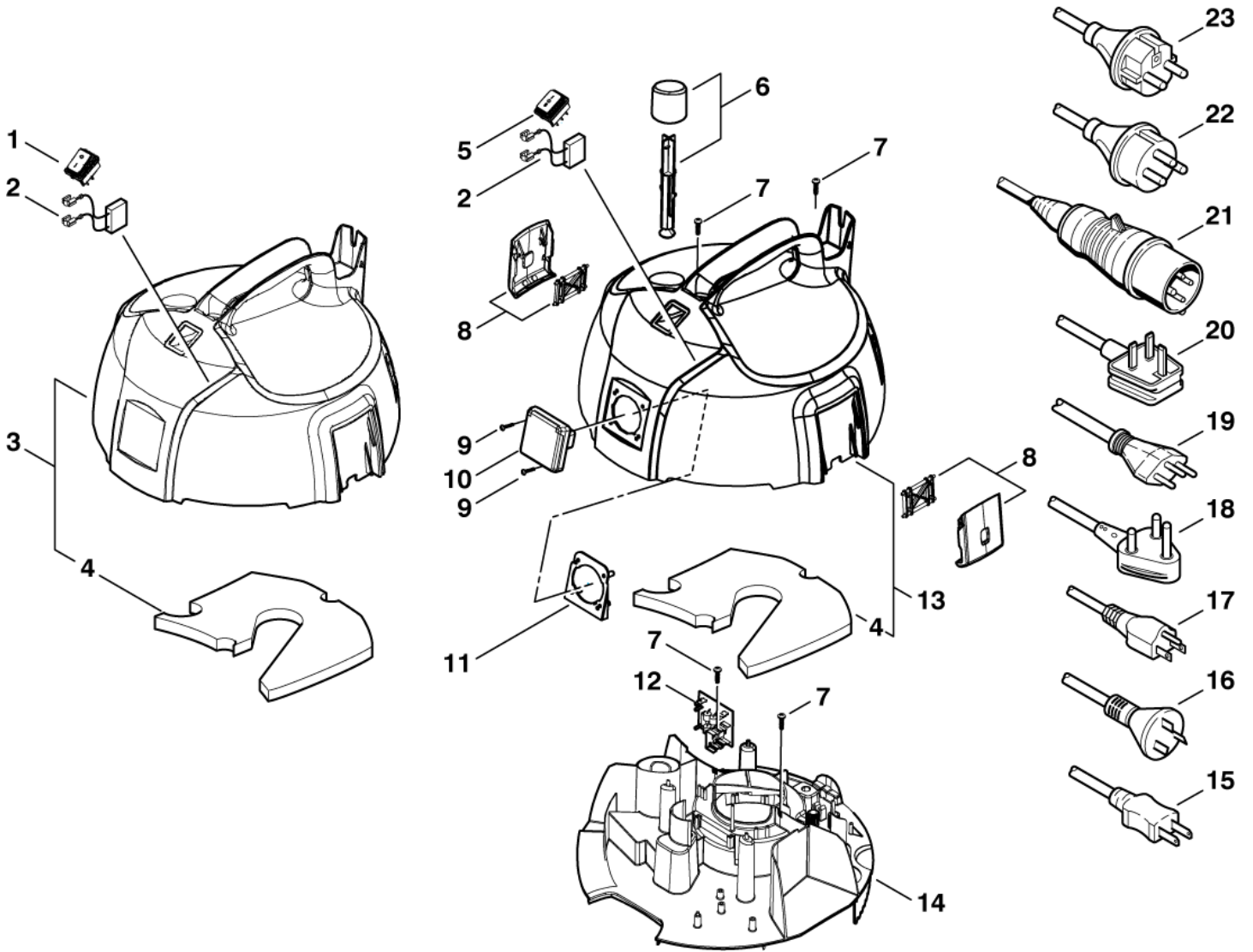
Hood and power cord

AERO 20, AERO 25

25-03-2011

Part List ID
AERO2002

3



Hood and power cord

AERO 20, AERO 25

25-03-2011

Part List ID
AERO2002

4

Pos	Part no.	Qty	Description		EAN
1	302002065	1	SWITCH 0-1	20-01, 20-01 INOX, 25-01	4005337099
2	61385	1	CAPACITOR		4005337613
3	302002423	1	SPARE PART SET HOOD	20-01, 20-01 INOX, 25-01	4005337105
4	302002050	1	SOUND INSULATION PLATE		4005337090
5	302002065	1	SWITCH 0-1	20-11, 25-11	4005337099
5	302002066	1	SWITCH 1-0-2	20-21, 20-21 INOX, 25-21	4005337090
6	302002425	1	FILTER DEDUSTER AERO ALTO-BLUE		4005337105
7	11565	4	SCREW 5X18		4005337115
8	302002426	2	SPARE PART SET CLAMMY ONE		4005337105
9	11256	2	SCREW 3.5X18	20-11, 20-21, 20-21 INOX, 25-11, 25-21	4005337112
10	302000150	1	OUTLET BOX 2-POLIG+PE 15A	20-11, 25-21 *AU*	4005337008
10	302000152	1	SOCKET 2-P.+PE 16A/250V -FR	20-21 INOX, 25-11, 25-21 *FR*	4005337008
10	302000683	1	SOCKET 10A/250V DK	20-11, 20-21, 25-21 *DK*	4005337690
10	302004034	1	SOCKET 16A/250V EU	20-11, 20-21, 25-11, 25-21 *EU*	4005337147
10	302004336	1	SOCKET 13A/250V GB	25-21 *GB, 230V*	7319519675
10	302004337	1	SOCKET 10A/250V CH	20-11, 25-21 *CH*	7319519675
10	302004338	1	SOCKET 15A/125V US/CSA	25-21 *JP*	7319519675
11	302002052	1	PLUG SOCKET PLATE	20-11, 20-21, 20-21 INOX, 25-11, 25-21	4005337097
12	61278	1	AUTOMATIC ON/OFF SYSTEM	* SEE NOTE	4005337612
12	62171	1	AUTO START CTV 7 AS	25-21*JP*	5711143061
13	302002424	1	SPARE PART SET HOOD	20-11, 20-21, 20-21 INOX, 25-11, 25-21	4005337105
14	302002040	1	PLATE CHUCK /AERO 20/25/		4005337090
15	302002392	1	POWERCORD AWG 18/2 SJTW X5.7M	20-01 *JP*	4005337103
16	302002391	1	POWERCORD H05VV-F 3G1.5X5.7M A	20-11, 25-21 *AU*	4005337103
17	302002393	1	POWERCORD AWG 14/3 SJTWX5.7M	25-21 *JP*	4005337103
18	60903	1	POWERCORD H05VV-F 2X0.75X5.M S	20-01 INOX, 25-01 *ZA*	4005337609
19	61132	1	POWERCORD H05VV-F 3G1.0X5.7 SN	20-11, 25-21 *CH*	4005337611
20	60904	1	POWER CORD H05VV-F 2X0.75X5.7M	20-01, 25-01 *GB,230V*	4005337609
20	61129	1	POWER CORD H05VV-F3G1,5X5	25-21 *GB,230V*	4005337611
21	60282	1	POWER CORD H07BQ-F 2X1.5 SQUAR	20-01 *GB,110V*	4005337602
22	64165	1	POWER CORD H05VV-F3G1,5X	20-11, 20-21, 25-21 *DK*	4005337641
23	60865	1	CABLE H05VV-F 2 X 0.75 X 5.0 C	20-01, 20-01 INOX *EU*	4005337608
23	61130	1	POWERCORD H05VV-F 3G1.5X5.7M C	** SEE NOTE	4005337611
NI	302002500	1	CORRUG. PACKAGING AERO 20-25		4005337109
NI	302002542	1	CORRUGATED PACKAGING	INOX VERSIONS	4005337112

* NOTE: 20-21, 20-21 INOX, 25-21, *EU*DK*CH*FR* GB,230V*AU*

** NOTE: 20-11, 20-21, 20-21 INOX, 25-11, 25-21, *EU*FR*

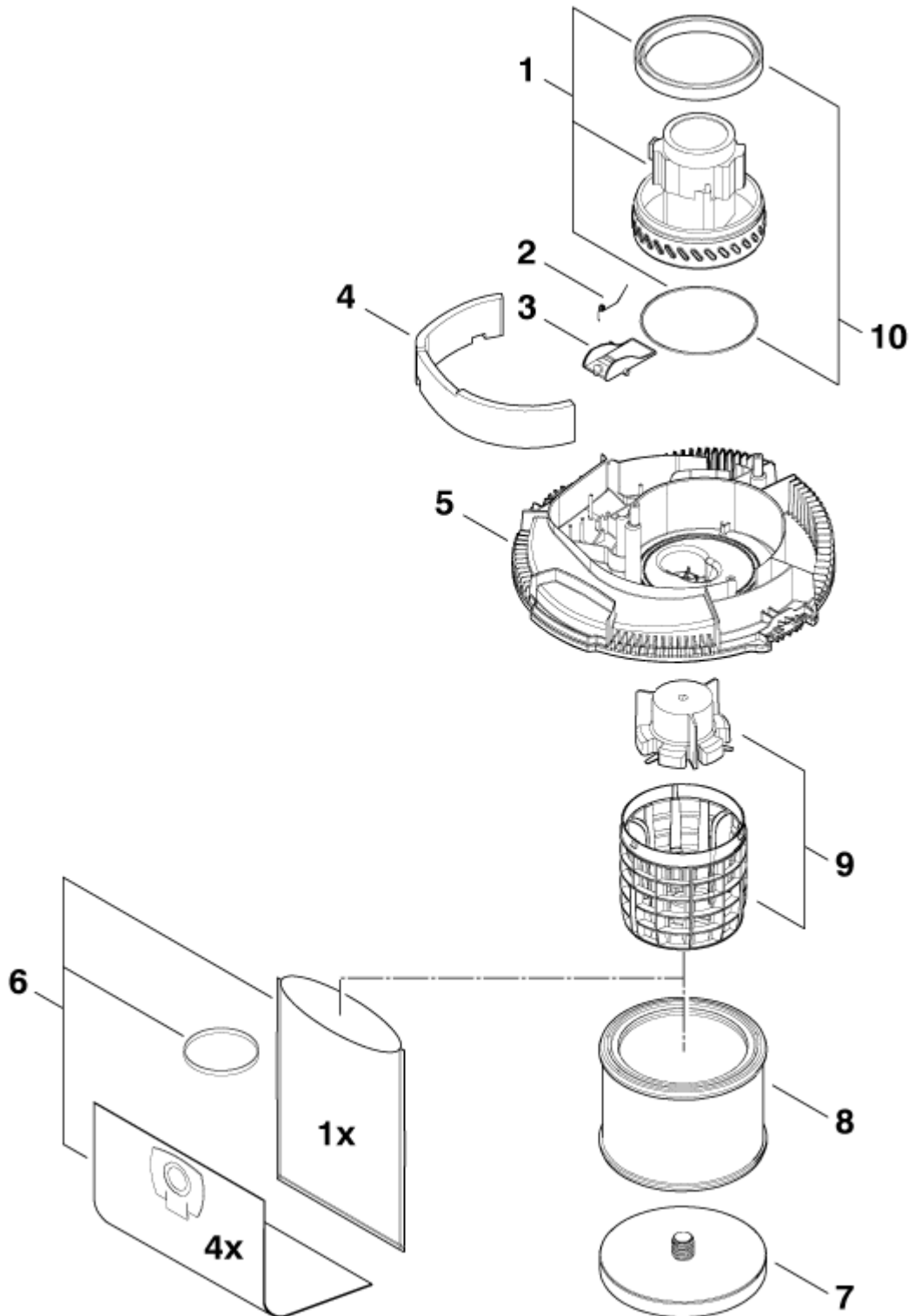
Motor, filter

AERO 20, AERO 25

25-03-2011

Part List ID
AERO2004

5



Motor, filter

AERO 20, AERO 25

25-03-2011

Part List ID
AERO2004

6

Pos	Part no.	Qty	Description	Notes	EAN
1	107400649	1	VAC MOTOR 1000W 240V KIT AERO		7319519672
1	302002435	1	VAC MOTOR 1000W 230V KIT AERO		4005337105
1	302002436	1	VAC MOTOR 1000W 100V KIT AERO	20-01, 25-21 *JP*	4005337105
1	302002437	1	VAC MOTOR 1000W 120V KIT AERO	20-01 *GB,110V*	4005337105
1	302002439	1	VAC MOTOR 1150W 230V KIT AERO	* SEE NOTE	4005337105
2	909100083	1	TORSION SPRING D0.9X18X45 INOX		4005337679
3	302000344	1	FLAP 79X53X25 ATTIX 30		4005337674
4	302002051	1	SOUND INSULATION PLATE		4005337099
5	302002130	1	BASE PLATE FOR AERO 20/25		4005337097
6	302002404	1	DUST BAG KIT (4 BAGS)		4005337104
7	302002042	1	FILTER TENSION DISC D184X45		4005337091
8	302000490	1	FILTER ELEMENT D185X140 PET M-CLASS		4005337682
9	302002427	1	SPARE PART SET		4005337105
10	302002431	1	SPARE PART SET MOTORRRING		4005337105

* NOTE: 25-01 *GB, 25-11 *EU*FR*, 25-21 *EU*CH*DK*FR* GB

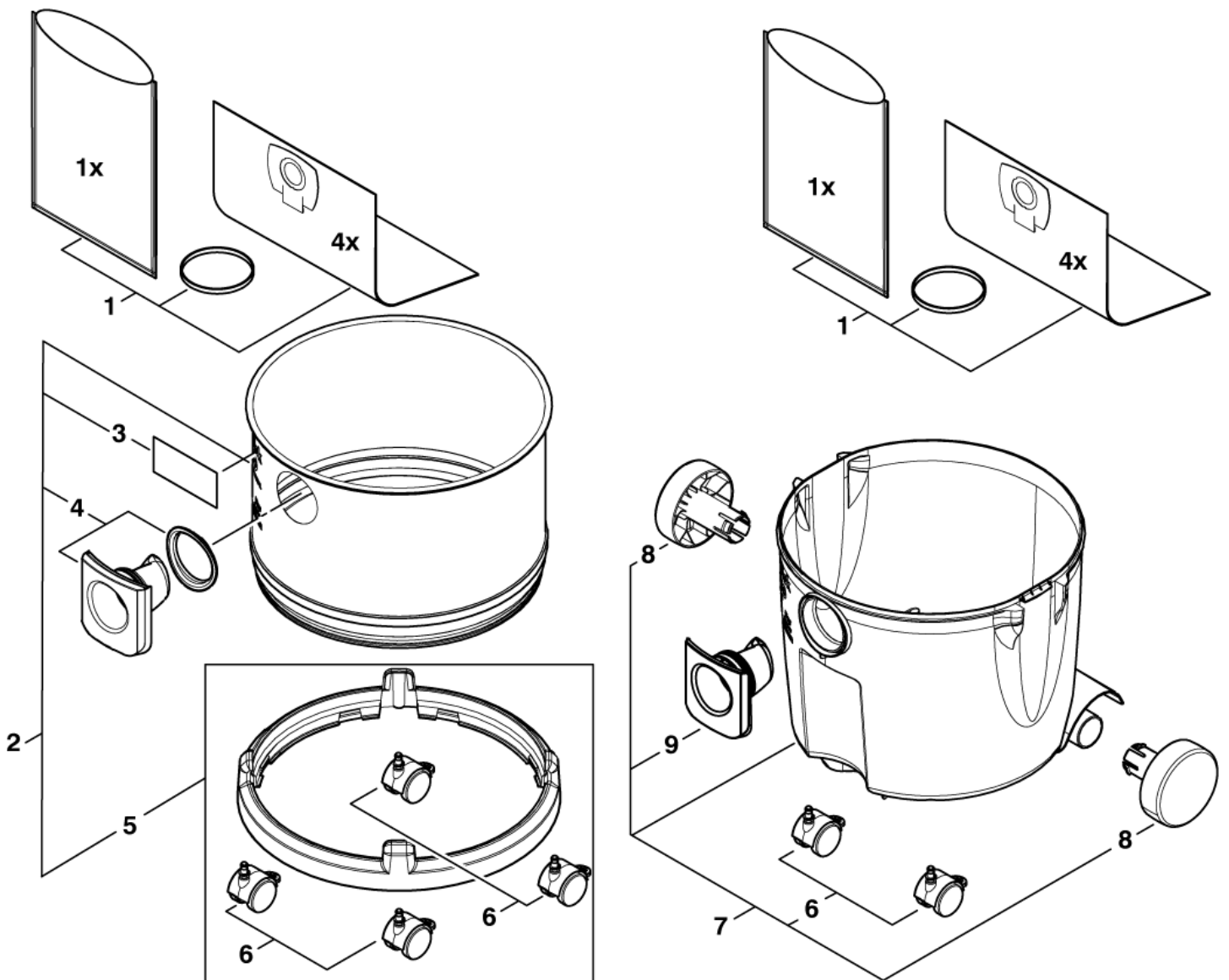
Container 20, 25

AERO 20, AERO 25

25-03-2011

Part List ID
AERO2006

7



Container 20, 25

AERO 20, AERO 25

25-03-2011

Part List ID
AERO2006

8

Pos	Part no.	Qty	Description	EAN
1	302002404	1	DUST BAG KIT (4 BAGS)	4005337104
2	302002429	1	SPARE PART SET CONTAINER	4005337105
3	302002334	1	LABEL AERO 20 INOX WAP	4005337101
4	302002428	1	SPARE PART SET	4005337105
5	107402665	1	CONTAINER RING AERO 20 INOX PR	7319519683
6	302002422	1	SPARE PART SET SWIVEL ROLLER	4005337105
7	302002430	1	SPARE PART SET CONTAINER	AERO 25 and AERO 20. 4005337105
8	302002057	2	WHEEL D100 /AERO BUDDY/	4005337098
9	302002047	1	INLET FITTING PLAST.CONT./AERO	4005337097

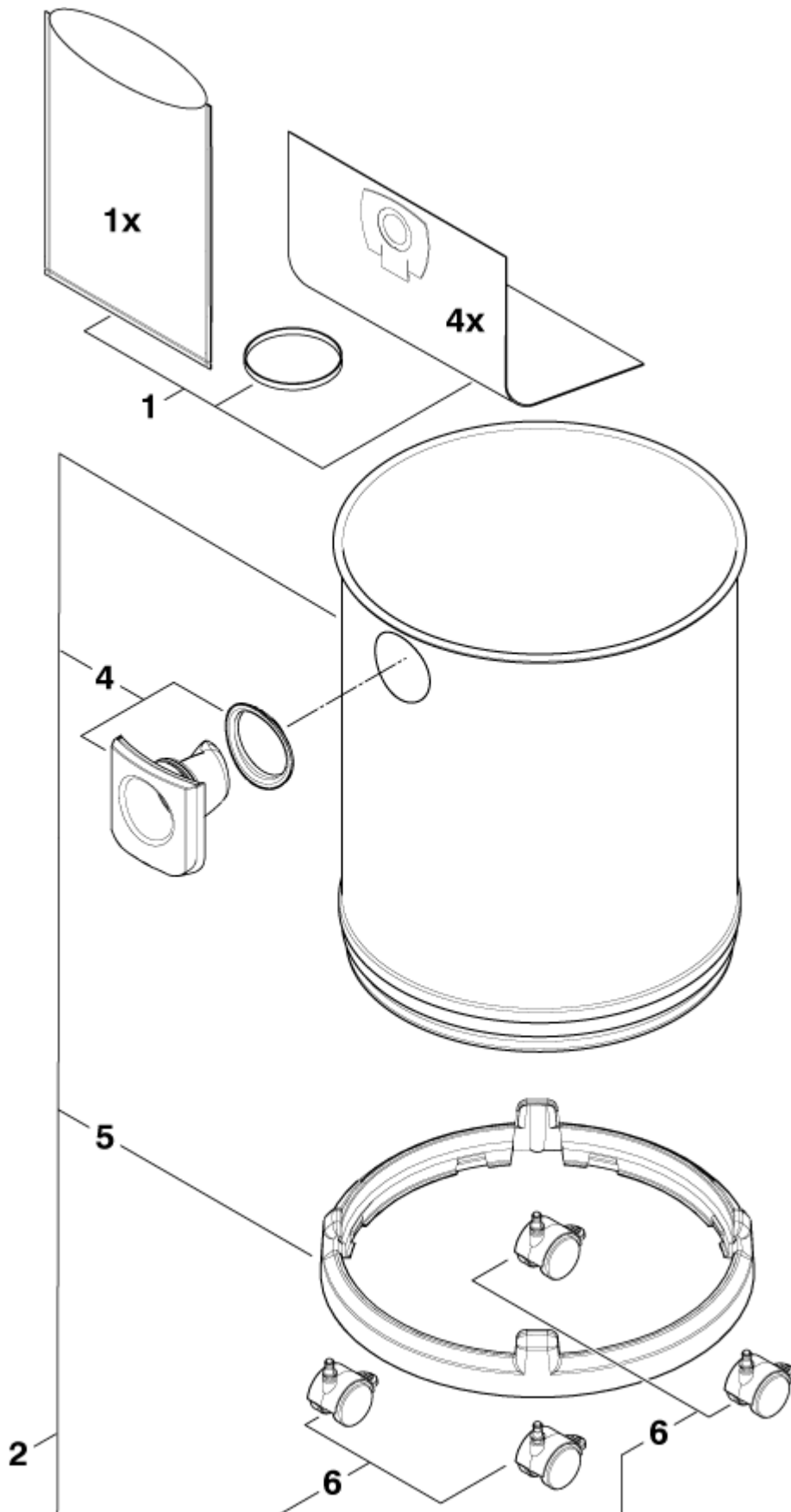
Container 35 INOX

AERO 20, AERO 25

25-03-2011

Part List ID
AERO2008

9



Container 35 INOX

AERO 20, AERO 25

25-03-2011

Part List ID
AERO2008

10

Pos	Part no.	Qty	Description	EAN
1	302002404	1	DUST BAG KIT (4 BAGS)	4005337104
2	107400143	1	KIT CONTAINER 35 INOX	4005337151
4	302002428	1	SPARE PART SET	4005337105
5	107402665	1	CONTAINER RING AERO 20 INOX PR	7319519683
6	302002422	1	SPARE PART SET SWIVEL ROLLER	4005337105

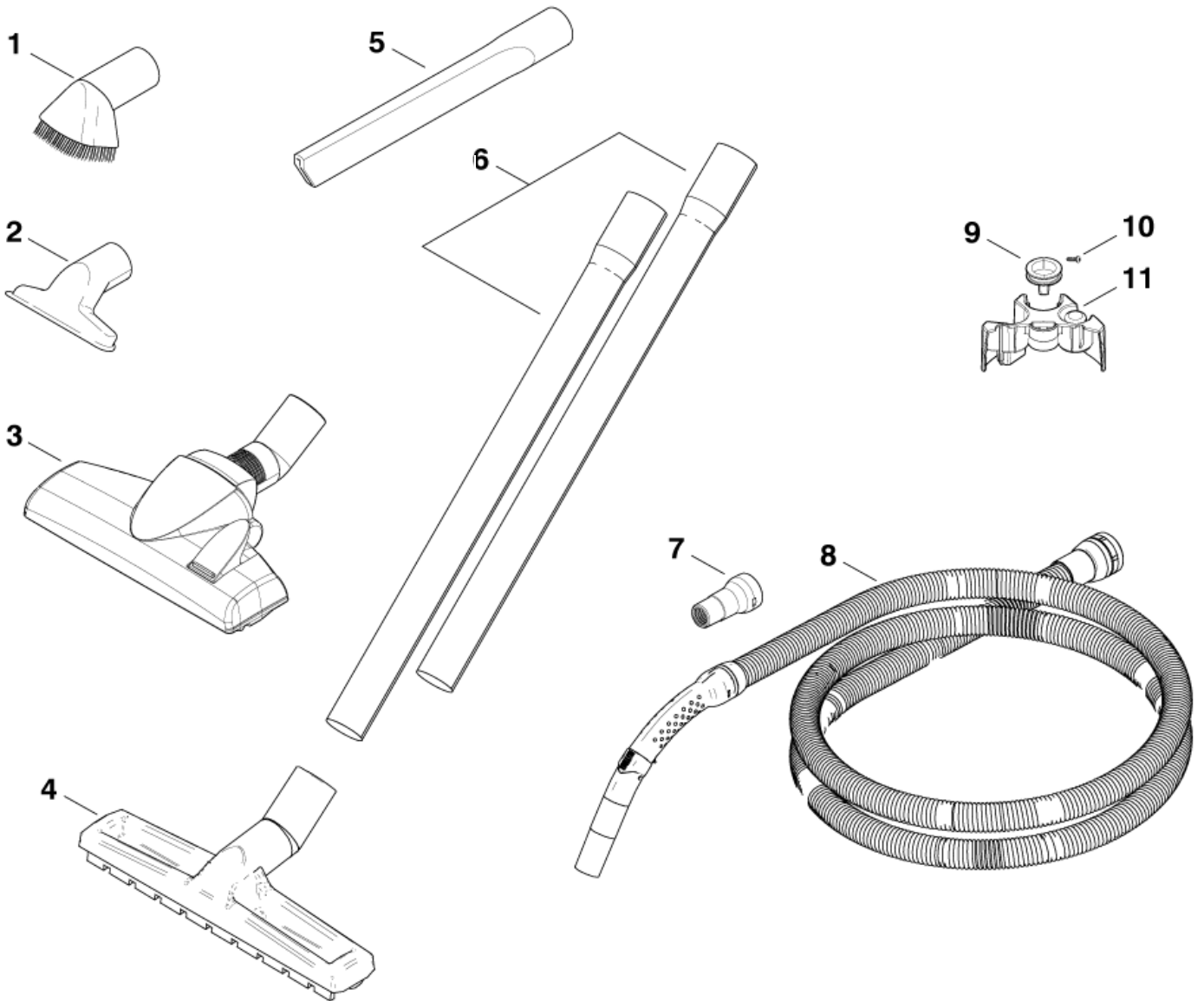
Accessories

AERO 20, AERO 25

25-03-2011

Part List ID
AERO2010

11



Accessories

AERO 20, AERO 25

25-03-2011

Part List ID
AERO2010

12

Pos	Part no.	Qty	Description	EAN
1	5146	1	BRUSH NOZZLE 70XØ36MM	4005337051
2	14295	1	UNIVERSAL NOZZLE D36X115	4005337142
3	302002365	1	SOIL NOZZLE SWITCHABLE	4005337102
4	302002331	1	FLOOR NOZZLE D36 300MM WITH B	4005337100
5	29541	1	CREVICE NOZZLE D36X200	7319519648
6	107400032	1	EXTENSION TUBE D36 2X500MM ALU	4005337147
6	40696	1	EXTENS TUBE PLASTIC SET 2	4005337406
7	302002356	1	TOOL ADAPTER	4005337102
8	302002364	1	SUCTION HOSE D32X3500 CPL.	4005337102
9	302002056	1	RING FOR SUCTION TUBE AND ORGA	4005337098
10	11256	1	SCREW 3.5X18	4005337112
11	302002055	1	ACCESSORIES ORGANIZER AERO 20	4005337098

RECOMMENDED SPARE PARTS

AERO 20, AERO 25

25-03-2011

Part List ID

AERO2012

13

No Drawing For Part List

RECOMMENDED SPARE PARTS

AERO 20, AERO 25

25-03-2011

Part List ID
AERO2012

14

Pos	Part no.	Qty	Description		EAN
1	107400032	1	EXTENSION TUBE D36 2X500MM ALU		4005337147
1	107400649	1	VAC MOTOR 1000W 240V KIT AERO		7319519672
1	107402665	1	CONTAINER RING AERO 20 INOX PR		7319519683
1	302000150	1	OUTLET BOX 2-POLIG+PE 15A	20-11, 25-21 AU	4005337008
1	302000152	1	SOCKET 2-P.+PE 16A/250V -FR	20-21 INOX, 25-11, 25-21 FR	4005337008
1	302000683	1	SOCKET 10A/250V DK	20-11, 20-21, 25-21 DK	4005337690
1	302002047	1	INLET FITTING PLAST.CONT./AERO		4005337097
1	302002052	1	PLUG SOCKET PLATE	20-11, 20-21, 20-21 INOX, 25-11, 25-21	4005337097
1	302002057	1	WHEEL D100 /AERO BUDDY/		4005337098
1	302002065	1	SWITCH 0-1	20-01, 20-11 INOX, 25-01, 25-11	4005337099
1	302002331	1	FLOOR NOZZLE D36 300MM WITH B		4005337100
1	302002364	1	SUCTION HOSE D32X3500 CPL.		4005337102
1	302002365	1	SOIL NOZZLE SWITCHABLE		4005337102
1	302002391	1	POWERCORD H05VV-F 3G1.5X5.7M A	20-11, 25-21 AU	4005337103
1	302002392	1	POWERCORD AWG 18/2 SJTW X5.7M	20-01 JP	4005337103
1	302002393	1	POWERCORD AWG 14/3 SJTWX5.7M	25-21 JP	4005337103
1	302002422	1	SPARE PART SET SWIVEL ROLLER		4005337105
1	302002426	1	SPARE PART SET CLAMMY ONE		4005337105
1	302002427	1	SPARE PART SET		4005337105
1	302002428	1	SPARE PART SET		4005337105
1	302002429	1	SPARE PART SET CONTAINER		4005337105
1	302002431	1	SPARE PART SET MOTORRING		4005337105
1	302002435	1	VAC MOTOR 1000W 230V KIT AERO		4005337105
1	302002436	1	VAC MOTOR 1000W 100V KIT AERO	20-01, 25-21 JP	4005337105
1	302002437	1	VAC MOTOR 1000W 120V KIT AERO	20-01 GB,110V	4005337105
1	302002439	1	VAC MOTOR 1150W 230V KIT AERO	SEE NOTE*	4005337105
1	302004034	1	SOCKET 16A/250V EU	20-11, 20-21, 25-11, 25-21 EU	4005337147
1	302004336	1	SOCKET 13A/250V GB	25-21 GB, 230V	7319519675
1	302004337	1	SOCKET 10A/250V CH	20-11, 25-21 CH	7319519675
1	302004338	1	SOCKET 15A/125V US/CSA	25-21 JP	7319519675
1	60282	1	POWER CORD H07BQ-F 2X1.5 SQUAR	20-01 GB,110V	4005337602
1	60865	1	CABLE H05VV-F 2 X 0.75 X 5.0 C	20-01, 20-01 INOX EU	4005337608
1	60903	1	POWERCORD H05VV-F 2X0.75X5.M S	20-01 INOX, 25-01 ZA	4005337609
1	60904	1	POWER CORD H05VV-F 2X0.75X5.7M	20-01, 25-01 GB,230V	4005337609
1	61129	1	POWER CORD H05VV-F3G1,5X5	25-21 GB,230V	4005337611
1	61130	1	POWERCORD H05VV-F 3G1.5X5.7M C	SEE NOTE	4005337611
1	61132	1	POWERCORD H05VV-F 3G1.0X5.7 SN	20-11, 25-21 CH	4005337611
1	61278	1	AUTOMATIC ON/OFF SYSTEM	SEE NOTE**	4005337612
1	62171	1	AUTO START CTV 7 AS	25-21JP	5711143061
1	63990	1	FILTER ELEMENT Ø185x140		4005337639
1	64165	1	POWER CORD H05VV-F3G1,5X	20-11, 20-21, 25-21 DK	4005337641

* NOTE: 25-01 *GB, 25-11 *EU*FR*, 25-21 *EU*CH*DK*FR* GB

* NOTE: 20-21, 20-21 INOX, 25-21, *EU*DK*CH*FR* GB,230V*AU*