

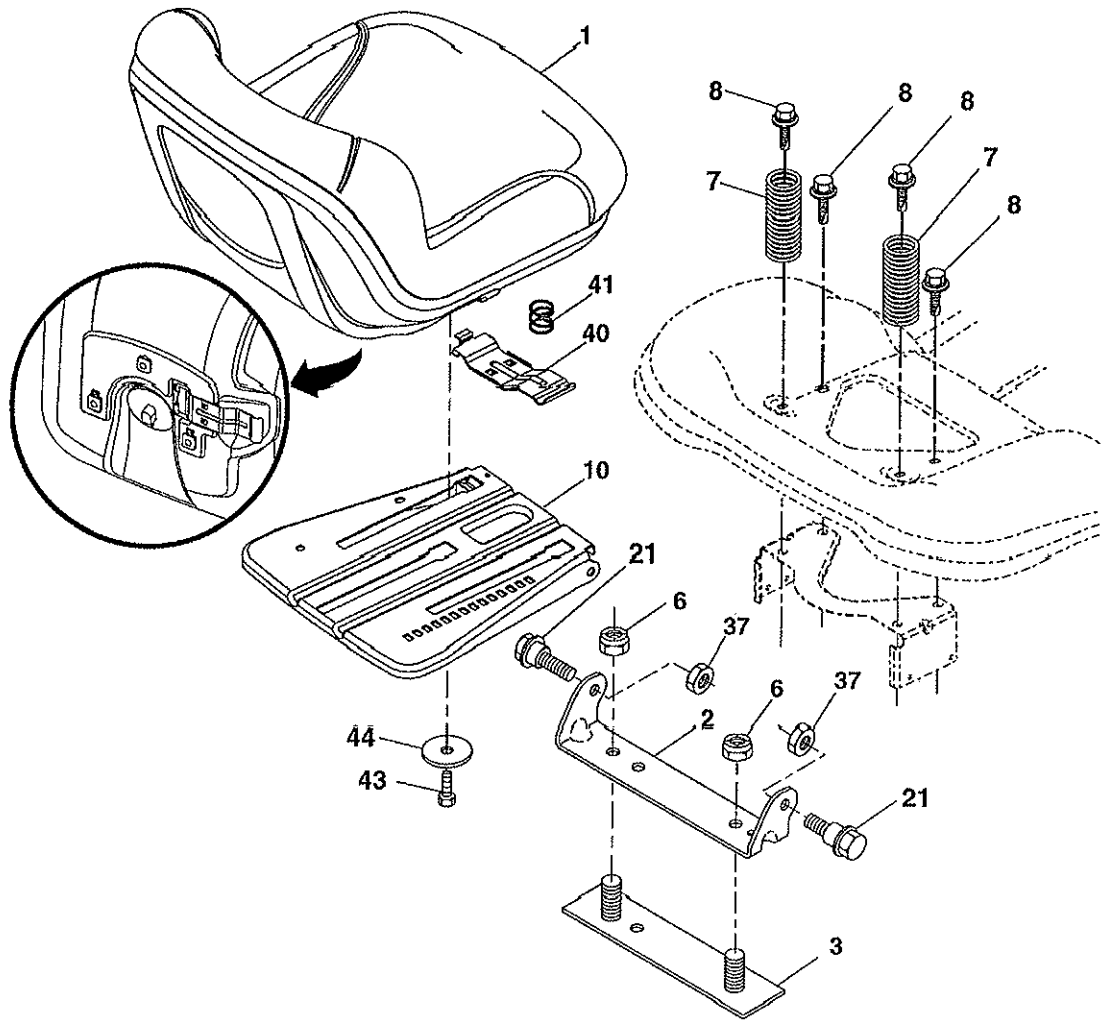
**SPARK ARRESTER KIT**

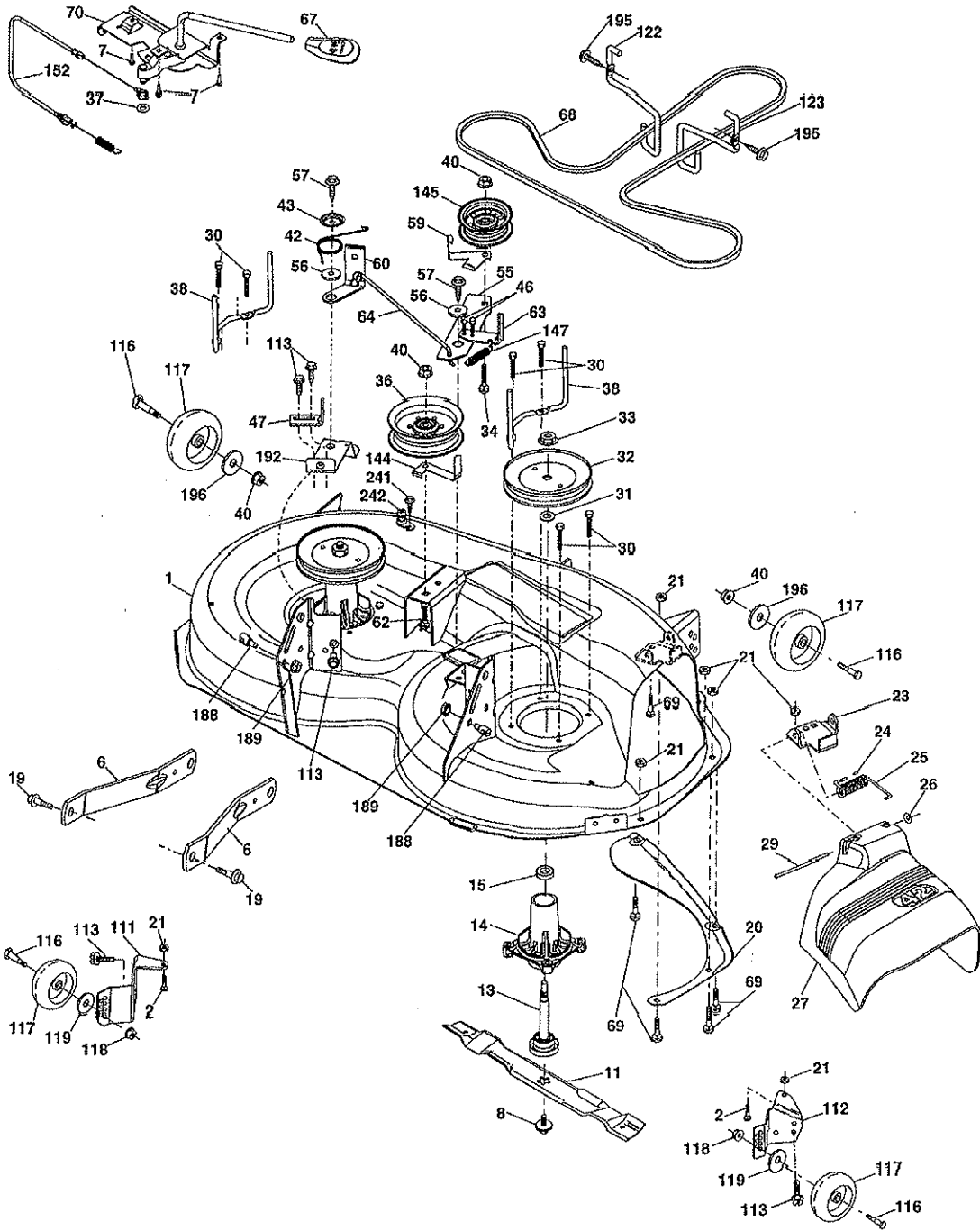
engine-1ex\_bs-2cyl\_43

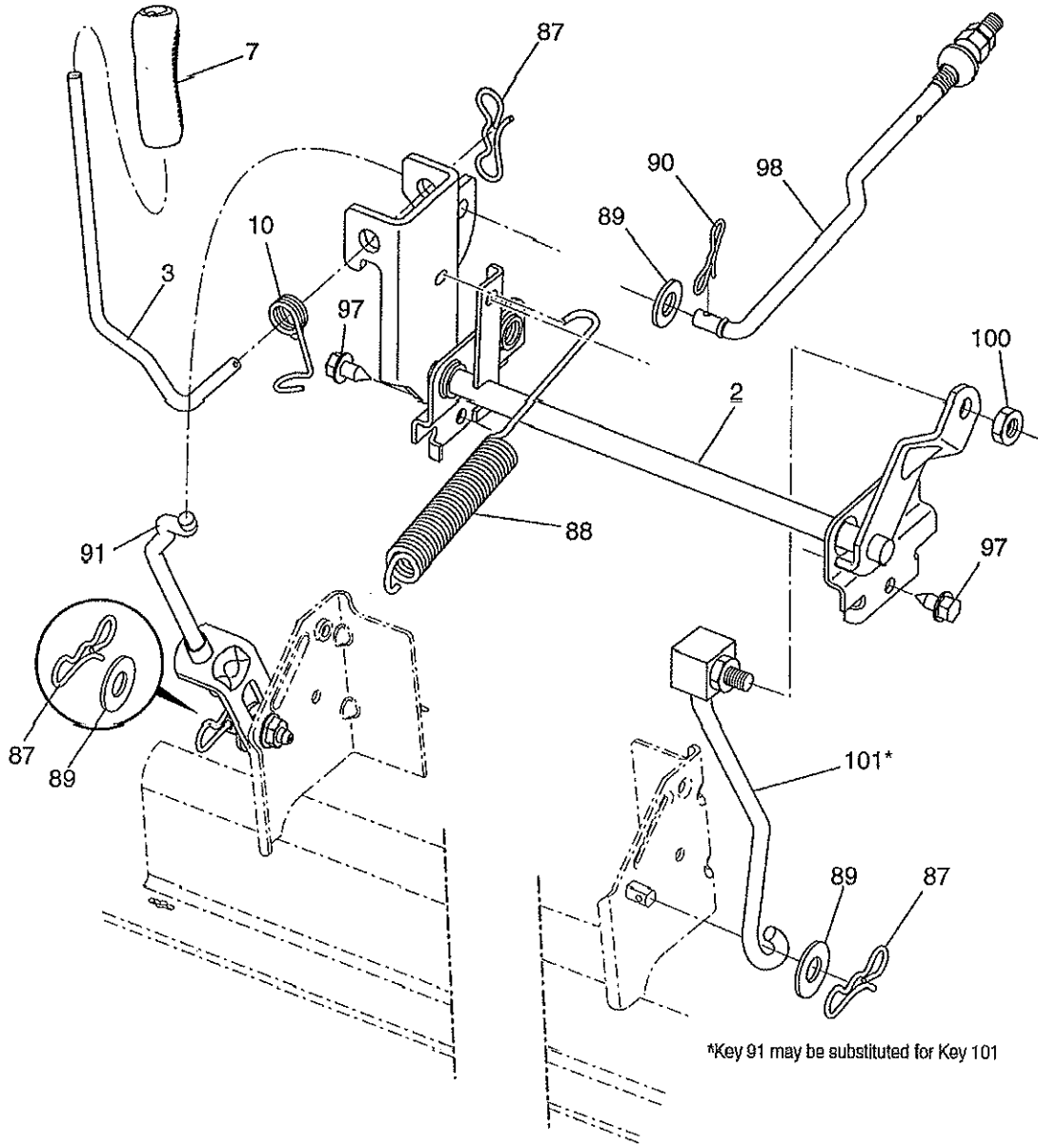
**Engine Power Rating Information**

The gross power rating for individual gas engine models is labeled in accordance with SAE (Society of Automotive Engineers) code J1940 (Small Engine Power & Torque Rating Procedure), and rating performance has been obtained and corrected in accordance with SAE J1995 (Revision 2002-05). Torque values are derived at 3060 RPM; horsepower values are derived at 3600 RPM. Actual gross engine power will be lower and is affected by, among other things, ambient operating conditions and engine-to-engine variability. Given both the wide array of products on which engines are placed and the variety of environmental issues applicable to operating the equipment, the gas engine will not develop the rated gross power when used in a given piece of power equipment (actual "on-site" or net power). This difference is due to a variety of factors including, but not limited to, accessories (air cleaner, exhaust, charging, cooling, carburetor, fuel pump, etc.), application limitations, ambient operating conditions (temperature, humidity, altitude), and engine-to-engine variability. Due to manufacturing and capacity limitations, Briggs & Stratton may substitute an engine of higher rated power for this Series engine.



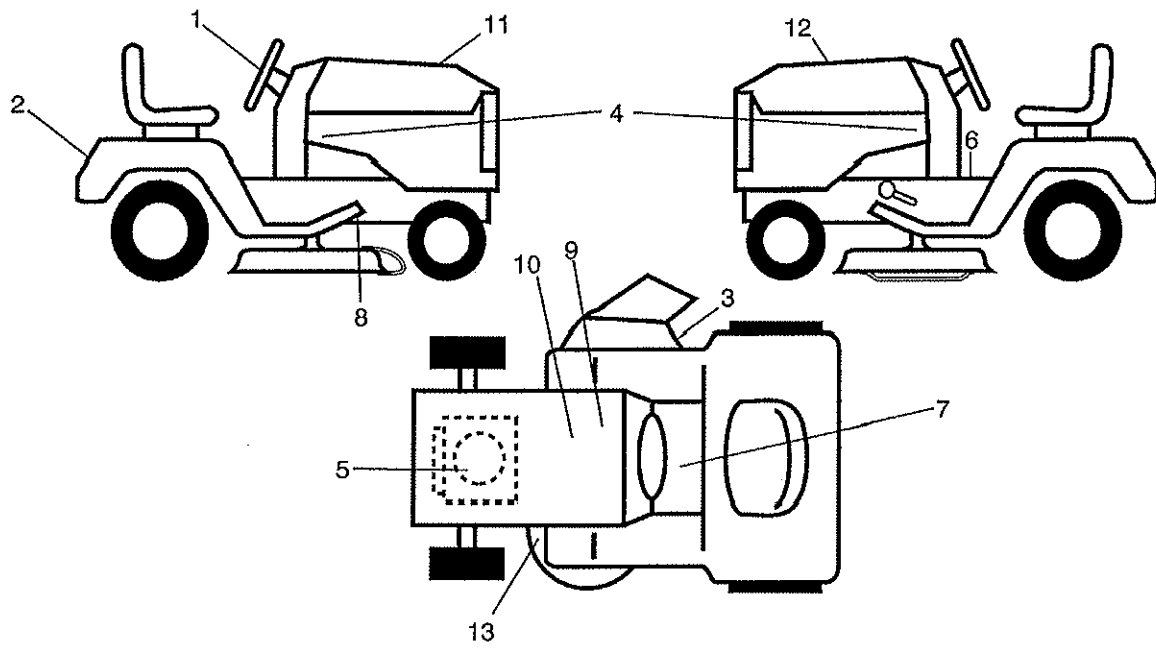


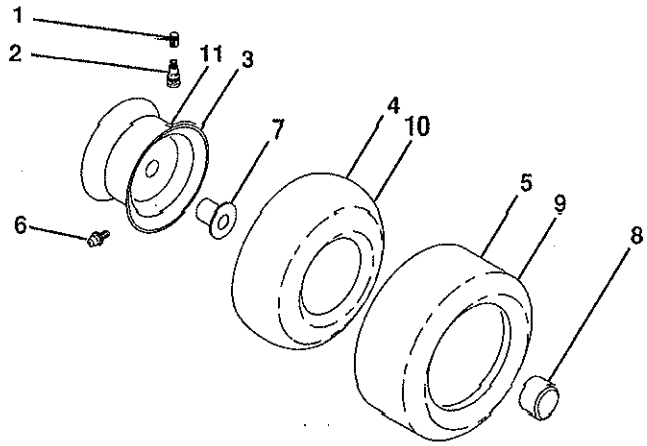


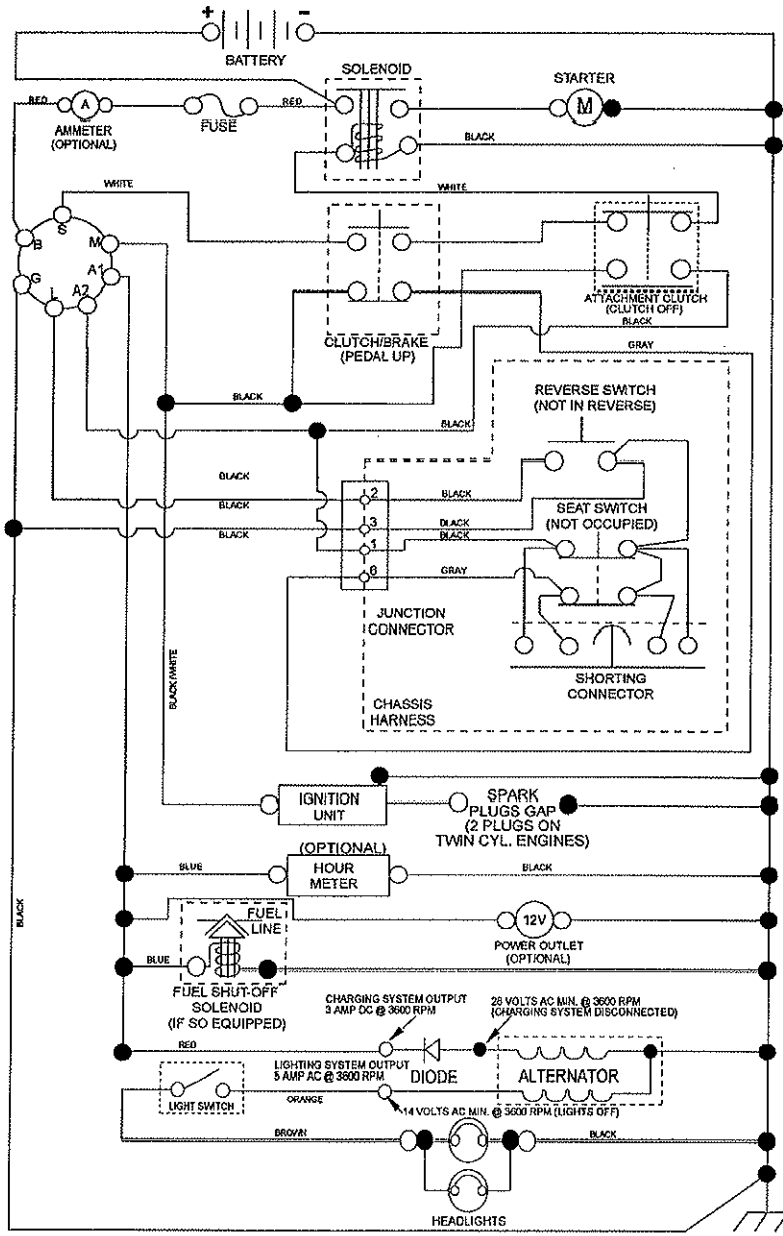


\*Key 91 may be substituted for Key 101

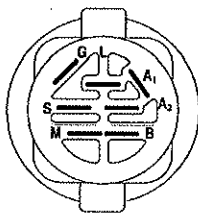






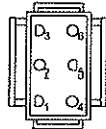


**NOTE**  
 YOUR TRACTOR IS EQUIPPED WITH A SPECIAL ALTERNATOR SYSTEM. THE LIGHTS ARE NOT CONNECTED TO THE BATTERY, BUT HAVE THEIR OWN ELECTRICAL SOURCE. BECAUSE OF THIS, THE BRIGHTNESS OF THE LIGHTS WILL CHANGE WITH ENGINE SPEED. AT IDLE THE LIGHTS WILL DIM. AS THE ENGINE IS SPEEDED UP, THE LIGHTS WILL BECOME THEIR BRIGHTEST.

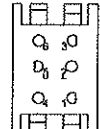


IGNITION SWITCH

POSITION	CIRCUIT	"MAKE"
OFF	M+G+A1	
RUN/OVERRIDE	B+A1	
RUN	B+A1	L+A2
START	B+S+A1	



CHASSIS HARNESS CONNECTOR (MATING SIDE)

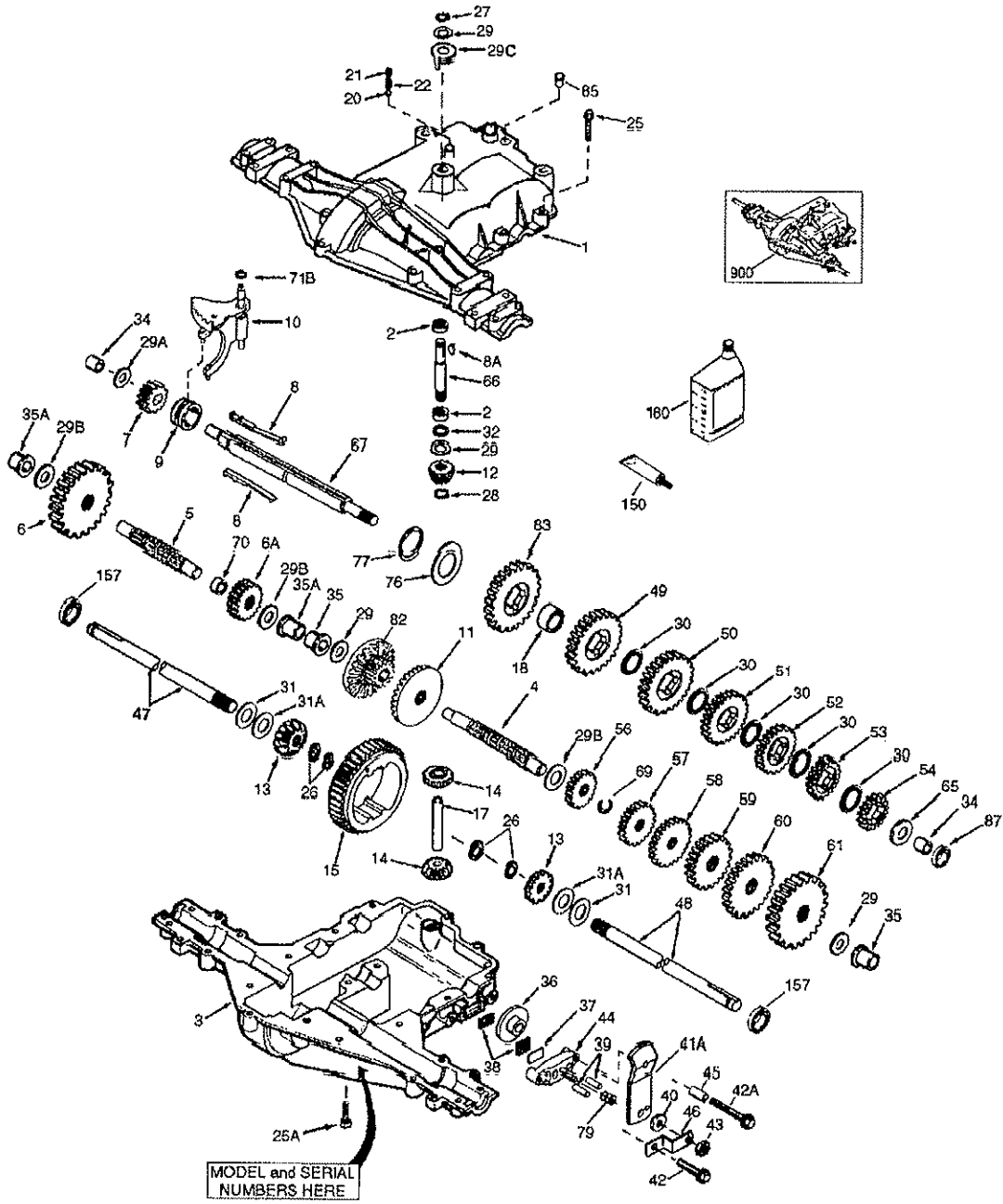


DASH HARNESS CONNECTOR (MATING SIDE)

WIRING INSULATED CLIPS  
 NOTE: IF WIRING INSULATED CLIPS WERE REMOVED FOR SERVICING OF UNIT, THEY SHOULD BE RE-INSTALLED TO PROPERLY SECURE YOUR WIRING.

● NON-REMOVABLE CONNECTIONS

○ REMOVABLE CONNECTIONS



7/09

Product Type: Brand: Model:

Div	PLS	Part Number	Description	Page ID	Key ID	Key Suffix ID
71	917	416405	COUPLING QUICK CONNECT	0	00NI01	NA
			MANDREL ASSEMBLY (INCLUDES HOUSING, SHAFT ASSEMBLY, AND BEARING ONLY-PULLEY/NUT/WASHER AND BLADE			
71	917	192870	BOLT/WASHERS NOT INCLUDED)	0	00NI02	NA
71	917	437732	REPLACEMENT MOWER, COMPLETE	0	00NI03	NA
71	917	193226X428	PAD, FOOTREST LH	0	00NI04	NA
71	917	193227X428	PAD, FOOTREST RH	0	00NI05	NA
71	917	446621	MANUAL, OPERATOR'S (ENG/SPAN)	0	00NI06	NA
71	917	446622	MANUAL, PARTS	0	00NI07	NA
71	917	144334	SEALANT, TIRE (10 OZ. TUBE)	0	00NI08	NA
71	917	163465	BATTERY	1	1	NA
71	917	74760412	BOLT HEX HEAD 1/4-20 UNC X 3/4	1	2	NA
71	917	186491	BOX BATTERY	1	8	NA
71	917	176138	SWITCH INTERLOCK PUSH-IN	1	16	NA
71	917	400252	HARNESS SOCKET LIGHT W/4152J	1	21	NA
71	917	4152J	BULB LIGHT	1	22	NA
71	917	400253	CABLE BATTERY	1	24	NA
71	917	412895	CABLE STARTER	1	25	NA
71	917	175158	FUSE	1	26	NA
71	917	73510400	NUT KEPS HEX 1/4-20 UNC	1	27	NA
71	917	145491	CABLE, GROUND	1	28	NA
71	917	401545	SWITCH, SEAT	1	29	NA
71	917	193350	SWITCH, IGNITION	1	30	NA
71	917	411932	KEY/CHAIN	1	33	NA
71	917	110712X	SWITCH LIGHT/RESET	1	34	NA
71	917	401098	HARNESS IGNITION DASH	1	40	NA
71	917	17720408	SCREW THD CUT 1/4-20 X 1/2	1	41	NA
71	917	131563	COVER, TERMINAL	1	42	NA
71	917	192507	SOLENOID	1	43	NA
71	917	401763	GAUGE SRVCMNDR HRMTR	1	46	NA
71	917	17060512	SCREW THDROL 5/16-18 X 3/4 TYTT	1	55	NA
71	917	194276	HARNESS IGNITION CHASSIS	1	71	NA
71	917	175242	BULBHOLDER ASSEMBLY INCANDESCENT	1	79	NA
71	917	197802	SWITCH INTERLOCK CLUTCH CABLE	1	87	NA
71	917	435395	COVER TERMINAL BATTERY	1	90	NA
71	917	190270	STRAP BATTERYMOUNT FRONT	1	91	NA
71	917	196615	HARNESS PIGTAIL REVERSE SWITCH	1	92	NA
71	917	192540	SCREW PLATITE 10-14 X 2 00	1	93	NA
71	917	191834	MODULE REVERSE ROS	1	94	NA
71	917	17670412	SCREW HEXWSH THDROL 1/4-20 X 3/4	1	99	NA
71	917	19091416	WASHER 9/32 X 7/8 X 16 GA.	1	100	NA
71	917	421810X428	DASH	2	5	NA
71	917	421154X615	HOOD	2	14	NA
71	917	421493X599	LENS LH	2	15	NA
71	917	423158	GRILLE	2	18	NA
71	917	421494X599	LENS RH	2	25	NA
71	917	196125	PLATE ENGINE	2	34	NA
71	917	17060512	SCREW 5/16-18 X 3/4	2	36	NA

71	917	414870X615	FENDER	2	37	NA
71	917	73680500	NUT CROWN LOCK 5/16-18	2	52	NA
71	917	17490508	SCREW THDROL 5/16-18 X 1/2	2	68	NA
71	917	416358	SCREW #10 X .750 BOS THREAD	2	130	NA
71	917	193224X428	CUPHOLDER	2	138	NA
71	917	199411	DUCT HEAT HOOD	2	150	NA
71	917	196332	BRACKET PIVOT	2	151	NA
71	917	199535	SHIELD BROWNING/DEBRIS	2	152	NA
71	917	17000612	SCREW HEXWSH THDROL 3/8-16 X 3/4	2	159	NA
71	917	193229X428	WINDOW FUEL	2	161	NA
71	917	142432	SCREW HEX WSH HI-LO 1/4 X 1/2	2	162	NA
71	917	196826	SUPPORT TANK REAR	2	165	NA
71	917	196304	CROSSMEMBER	2	175	NA
71	917	400776	SCREW 10-24 X 5/8 WSHD QDRX	2	176	NA
71	917	195227	BUSHING STEERING	2	177	NA
71	917	195457	CHASSIS	2	180	NA
71	917	193102X428	BUSHING MTG. FENDER CRGO.	2	181	NA
71	917	406859	DASH LOWER	2	182	NA
71	917	74520520	BOLT FULL THREAD 5/16-18 X 1-1/4	2	183	NA
71	917	17000512	SCREW 5/16-18 X 3/4	2	189	NA
71	917	73900500	NUT LOCK HEX FLANGE 5/16-18	2	194	NA
71	917	401556X428	PLUG HOLE DASH 12V ADAPTER	2	195	NA
71	917	414579	CONSOLE ASSEMBLY DECK LIFT	2	196	NA
71	917	441724X48	VENT SIDE HOOD RH	2	202	NA
71	917	441725X428	VENT SIDE HOOD LH	2	203	NA
71	917	74760512	BOLT HEX HD 5/16-18 UNC X 3/4	2	213	NA
71	917	409167	ROD PIVOT CHASSIS	2	217	NA
71	917	196395	X PIECE HOOD STOP	2	218	NA
71	917	195161	STUD FASTENER	2	228	NA
71	917	406129	SPACER FENDER	2	235	NA
71	917	73930500	NUT CENTER LOCK 5/16-18	2	236	NA
71	917	403704	PLUG MOUNT CARGO	2	237	NA
71	917	17600406	SCREW HEX WASHEAD 1/4-20 X 3/8	2	287	NA
71	917	199783X428	PLUG CRUISE/PHONE COMMON YTGT	2	289	NA
71	917	441668	TRIM SD LH	2	314	NA
71	917	441669	TRIM SD RH	2	315	NA
71	917	421258X615	BUMPER LH	2	317	NA
71	917	421257X615	BUMPER RH	2	318	NA
71	917		TRANSAXLE, PEERLESS 206-565 (197941)(SEE TRANSAXLE BREAKDOWN)	3	1	NA
71	917	123583X	KEY SQUARE	3	2	NA
71	917	19131316	WASHER 13/32 X 13/16 X 16 GA.	3	15	NA
71	917	197297	SPRING, BRAKE	3	17	NA
71	917	197660	ROD SHIFT	3	22	NA
71	917	106993X	KNOB	3	23	NA
71	917	197455	SPRING BRAKE RTN	3	26	NA
71	917	197267	ROD, BRAKE	3	29	NA
71	917	12000001	RING E	3	33	NA
71	917	435486	ROD, BRAKE, PARK	3	35	NA
71	917	121749X	WASHER 25/32 X 1-1/4 X 16 GA.	3	37	NA
71	917	8883R	COVER, FOOT PEDAL	3	42	NA
71	917	72110614	BOLT	3	49	NA
71	917	194327	PULLEY IDLER FLAT	3	50	NA
71	917	73900600	LOCK NUT 3/8-16	3	51	NA
71	917	194326	IDLER V-GROOVE	3	52	NA

71	917	194346	V-BELT, DRIVE	3	56	NA
71	917	123666X	PULLEY TRANSAXLE	3	61	NA
71	917	196200	SHAFT ASSEMBLY BRAKE CONTROL	3	64	NA
71	917	193225X428	CONSOLE SHIFT	3	70	NA
71	917	74490540	BOLT 5/16-18 GR. 5	3	73	NA
71	917	142432	SCREW 1/4 X 1/2	3	74	NA
71	917	73900500	NUT LOCK HEX FLANGE 5/16-18	3	116	NA
71	917	17000512	SCREW 5/16-18 X 3/4	3	125	NA
71	917	197658	ARM SHIFT	3	134	NA
71	917	74550412	BOLT 1/4-20 UNF GR. 8 WITH PATCH	3	139	NA
71	917	10040400	WASHER LOCK HVY HELICAL 1/4	3	140	NA
71	917	19091210	WASHER 9/32 X 3/4 X 10 GA.	3	141	NA
71	917	12000028	RING RETAINER	3	155	NA
71	917	105701X	WASHER PLATE SHF	3	157	NA
71	917	194352	KEEPER T/A	3	158	NA
71	917	76020412	PIN COTTER 1/8 X 3/4	3	159	NA
71	917	169484	RETAINER CLIP	3	160	NA
71	917	105709X	SPRING, RETURN, CLUTCH	3	161	NA
71	917	196212	BUSHING SHAFT BRAKE HAND CONTROL	3	165	NA
71	917	429164	NUT PUSH .625	3	166	NA
71	917	405257	LATCH BRAKE PARKING	3	167	NA
71	917	197657	STRAP TORQUE LH	3	172	NA
71	917	197289	NUT PUSH	3	174	NA
71	917	196224	SHAFT ASSEMBLY SHIFT	3	175	NA
71	917	196214	ARM CLEVIS ROD SHIFT	3	176	NA
71	917	197456	SPRING SHIFT	3	178	NA
71	917	137057	SPACER, AXLE	3	183	NA
71	917	196439X667	HANDLE PARKING BRAKE	3	184	NA
71	917	72110622	BOLT	3	185	NA
71	917	194321	SPACER RETAINER	3	186	NA
71	917	19133210	WASHER	3	187	NA
71	917	194323	LINK CLUTCH GROUND DRIVE	3	188	NA
71	917	194317	BELLCRANK GROUND DRIVE	3	189	NA
71	917	194318	KEEPER BELLCRANK GROUND DRIVE	3	190	NA
71	917	150360	NUT LOCK CENTER 1/4-28	3	192	NA
71	917	17060512	SCREW 5/16-18 X 3/4	3	193	NA
71	917	197332	BRACKET BRAKE ROD	3	195	NA
71	917	166231	LINK SHIFT	3	202	NA
71	917	19111116	WASHER 11/32 X 11/16 X 16 GA.	3	203	NA
71	917	121748X	WASHER 25/32 X 1-5/8 X 16 GA.	3	205	NA
71	917	403187	RETAINER SPRING CLIP HANDLE	3	221	NA
71	917	74780716	BOLT 7/16-14 X 1 GR. 5	3	232	NA
71	917	405296	WASHER SERRATED	3	233	NA
71	917		ENGINE B&S MODEL NO. 445677-2188-G1 (438223)(SEE ENGINE BREAKDOWN)	4	1	NA
71	917	149723	MUFFLER	4	2	NA
71	917	194319	KEEPER BELT ENGINE	4	9	NA
71	917	401985	PULLEY ENGINE	4	12	NA
71	917	438080	TANK FUEL	4	15	NA
71	917	430214	CAP FUEL	4	18	NA
71	917	421473X428	CONTROL THROTTLE/CHOKE	4	20	NA
71	917	416358	SCREW 10 X .750 BOS THREAD	4	21	NA
71	917	401135	FUEL LINE	4	28	NA
71	917	137180	SPARK ARRESTER KIT	4	29	NA
71	917	123487X	CLAMP HOSE	4	37	NA

71	917	10040700	WASHER LOCK 7/16	4	42	NA
71	917	73510400	NUT KEPS HEX 1/4-20 UNC	4	45	NA
71	917	434017	SHIELD HEAT MUFFLER	4	62	NA
71	917	165391	GASKET	4	69	NA
71	917	159955	EXHAUST TUBE LH	4	70	NA
71	917	160589	EXHAUST TUBE RH	4	71	NA
71	917	183906	SCREW 5/16-18 X 1	4	79	NA
71	917	17060620	SCREW 3/8-16 X 1-1/4	4	84	NA
71	917	173937	BOLT HEX 7/16-20 X 4 X GR. 5-1.5	4	85	NA
71	917	171877	BOLT 5/16-18 UNC X 3/4 W/SEMS	4	87	NA
71	917	17000616	SCREW 3/8-16 X 1.0	4	90	NA
71	917	187495	BUSHING	4	91	NA
71	917	414803X428	WHEEL, STEERING	5	1	NA
71	917	436870	AXLE ASSEMBLY, FRONT	5	2	NA
71	917	436873	SPINDLE ASSEMBLY, LH	5	4	NA
71	917	436874	SPINDLE ASSEMBLY, RH	5	5	NA
71	917	6266H	WASHER THRUST 0.75 X 1.23	5	6	NA
71	917	121748X	WASHER 25/32 X 1-5/8 X 16 GA.	5	7	NA
71	917	12000029	RING, CLIP #T5304-75	5	8	NA
71	917	184946X667	CAP, SPINDLE	5	9	NA
71	917	121749X	WASHER 25/32 X 1-1/4 X 16 GA.	5	13	NA
71	917	10040600	WASHER LOCK 3/8	5	14	NA
71	917	73540600	NUT, CROWN LOCK 3/8-24 UNF	5	15	NA
71	917	440785	SHAFT STEERING	5	16	NA
71	917	194729	PLATE STEERING	5	19	NA
71	917	199676X428	BOOT, STEERING	5	20	NA
71	917	437747	ADAPTER, WHEEL STEERING	5	21	NA
71	917	194845	BUSHING, STRG. BLK	5	22	NA
71	917	414852X428	INSERT, WHEEL STEERING	5	26	NA
71	917	17000612	SCREW 3/8-16 X 3/4	5	28	NA
71	917	440770	GEAR, SECTOR PLATE	5	35	NA
71	917	19183812	WASHER 9/16 I.D. X 2-3/8 O.D.	5	45	NA
71	917	73940800	NUT HEX JAM TOPLOCK 1/4-20	5	51	NA
71	917	188967	WASHER HARDENED .793 X 1.637 X .060	5	53	NA
71	917	407465	BRACKET UPSTOP	5	57	NA
71	917	194747	BOLT SHOULDER SECTOR PIVOT CFM	5	58	NA
71	917	194748	WASHER THRUST SECTOR STEERING	5	59	NA
71	917	73971000	NUT FLANGE LOCK 5/8-11	5	60	NA
71	917	436884	DRAGLINK, LH	5	61	NA
71	917	436885	DRAGLINK, RH	5	62	NA
71	917	17000512	SCREW 5/16-18 X 3/4	5	63	NA
71	917	199849	RETAINER CLIP SPRING STEERING	5	64	NA
71	917	71020748	BOLT HEX FGHD 7/16-14 X 3 SERR	5	66	NA
71	917	194737	BUSHING PM FRONT AXLE	5	67	NA
71	917	73900700	NUT LOCK FLANGE 7/16-14 GR. 5	5	68	NA
71	917	199162	WASHER 1.5 X .505 X .118	5	69	NA
71	917	196197	BRACKET DECK SUSP. FRONT	5	70	NA
71	917	1370H	WASHER THRUST 5/8 X 1.10 X 1/32	5	80	NA
71	917	436887	LINK CROSS RH	5	81	NA
71	917	436877	PIVOT BOLT	5	82	NA
71	917	441873	PIVOT RH	5	85	NA
71	917	441872	PIVOT LH	5	86	NA
71	917	423645	SEAT	6	1	NA
71	917	180166	BRACKET PIVOT FENDER	6	2	NA
71	917	140675	STRAP, ASSEMBLY FENDER	6	3	NA



71	917	73800600	NUT, LOCK W/INS. 3/8-16 UNC	6	6	NA
71	917	124181X	SPRING, SEAT CPRSN	6	7	NA
71	917	171877	BOLT 5/16-18 UNC X 3/4 W/SEMS	6	8	NA
71	917	196977	PAN, SEAT	6	10	NA
71	917	171852	BOLT, SHOULDER 5/16-18	6	21	NA
71	917	73800500	NUT, LOCK 5/16-18 UNC	6	37	NA
71	917	197661	HANDLE SLIDE SEAT	6	40	NA
71	917	198200	SPRING LATCH SEAT	6	41	NA
71	917	74760612	BOLT 3/8-16 X 3/4	6	43	NA
71	917	19133812	WASHER 13/32 X 2-3/8 X 12 GA.	6	44	NA
71	917	196495X615	MOWER HOUSING	7	1	NA
71	917	72140506	BOLT RDHD SQNK 5/16-18 UNC X 3/4	7	2	NA
71	917	195186	ARM SUSPENSION	7	6	NA
71	917	416358	SCREW #10 X 0.750	7	7	NA
71	917	193003	BOLT/WASHER ASSEMBLY 7/16-20 UNF	7	8	NA
71	917	424752	BLADE 42SP 3N1	7	11	NA
71	917	192872	SHAFT ASSEMBLY, MANDREL	7	13	NA
71	917	187281	HOUSING, MANDREL	7	14	NA
71	917	110485X	BEARING, BALL, MANDREL	7	15	NA
71	917	196539	BOLT, SHOULDER	7	19	NA
71	917	159770	BAFFLE, VORTEX	7	20	NA
71	917	73680500	NUT, CROWNLOCK 5/16-18 UNC	7	21	NA
71	917	192557	BRACKET, DEFLECTOR	7	23	NA
71	917	105304X	CAP, SLEEVE	7	24	NA
71	917	197026	SPRING, TORSION, DEFLECTOR	7	25	NA
71	917	110452X	NUT, PUSH	7	26	NA
71	917	424469	SHIELD, DEFLECTOR	7	27	NA
71	917	131491	ROD, HINGE	7	29	NA
71	917	173984	SCREW THDROL ROLLING WSH HD	7	30	NA
71	917	187690	WASHER, SPACER	7	31	NA
71	917	197473	PULLEY, MANDREL	7	32	NA
71	917	400234	NUT, TOPLOCK, FLANGED	7	33	NA
71	917	72110612	BOLT CARR SH. 3/8-16 X 1-1/2 GR. 5	7	34	NA
71	917	197379	PULLEY, IDLER, FLAT	7	36	NA
71	917	19131316	WASHER	7	37	NA
71	917	432520	KEEPER BELT LH MANDREL	7	38	NA
71	917	73900600	NUT, LOCK FLG. 3/8-16 UNC	7	40	NA
71	917	198410	SPRING TORSION BRAKE	7	42	NA
71	917	197256	SPRING TORSION RETAINER	7	43	NA
71	917	137729	SCREW 1/4-20 X 5/8	7	46	NA
71	917	197250	BRACKET CLUTCH CABLE	7	47	NA
71	917	437110	ARM, IDLER	7	55	NA
71	917	199092	SPACER, RETAINER	7	56	NA
71	917	17000616	SCREW 3/8-16 X 1	7	57	NA
71	917	141043	GUARD, TUV IDLER	7	59	NA
71	917	197261	ARM BRAKE MOWER	7	60	NA
71	917	72110616	BOLT 3/8-16 UNC X 2	7	62	NA
71	917	199477	ARM BRAKE MOWER	7	63	NA
71	917	199790	LINK BRAKE	7	64	NA
71	917	198398X667	HANDLE CLUTCH CABLE	7	67	NA
71	917	429636	V-BELT DRIVE	7	68	NA
71	917	72140505	BOLT	7	69	NA
71	917	199972	CLUTCH ASSEMBLY MANUAL	7	70	NA
71	917	404784	BRACKET WHEEL GAUGE LH	7	111	NA
71	917	404785	BRACKET WHEEL GAUGE RH	7	112	NA

71	917	17000510	SCREW 5/16-18	7	113	NA
71	917	4898H	BOLT SHLD "A" 2.41 "B" 1.66	7	116	NA
71	917	188606	WHEEL GAUGE	7	117	NA
71	917	19121414	WASHER 3/8 X 7/8 X 14 GA.	7	119	NA
71	917	197258	KEEPER BELT ENGINE LH	7	122	NA
71	917	197259	KEEPER BELT ENGINE RH	7	123	NA
71	917	199204	KEEPER BELT	7	144	NA
71	917	193197	PULLEY IDLER	7	145	NA
71	917	401971	SPRING RETURN	7	147	NA
71	917	435111	MANUAL CLUTCH CABLE	7	152	NA
71	917	195161	STUD FASTENER	7	188	NA
71	917	73900500	NUT LOCK HEX FLANGE	7	189	NA
71	917	197260	BRACKET BRAKE STAND LH	7	192	NA
71	917	17000612	SCREW 3/8-16 X 3/4	7	195	NA
71	917	152927	SCREW TT#10-32.5.3/8 FLANGE	7	241	NA
71	917	415598	PORT WASHOUT	7	242	NA
71	917	422027	SHAFT ASSEMBLY, LIFT	8	2	NA
71	917	195231	LEVER ASSEMBLY, LIFT RH	8	3	NA
71	917	196492X428	GRIP, LEVER	8	7	NA
71	917	196314	SPRING, TORSION	8	10	NA
71	917	194209	PIN COTTER 7/16 BOW TIE LOCK	8	87	NA
71	917	410710	SPRINGLIFT ASSIST	8	88	NA
71	917	19191912	WASHER CLEAR ZINC	8	89	NA
71	917	194208	PIN COTTER 5/16 BOW TIE LOCK	8	90	NA
71	917	195181	LINK LIFT SUSP MOWER REAR	8	91	NA
71	917	17000612	SCREW 3/8-16 X .75	8	97	NA
71	917	195270	LINK LIFT SUSP. FRONT MOWER	8	98	NA
71	917	73930600	NUT CENTERLOCK 3/8-16 UNC	8	100	NA
71	917	407003	LINK ASSEMBLY LIFT FXD	8	101	NA
71	917	439525	DECAL, STEERING	9	1	NA
71	917	441121	DECAL, FENDER	9	2	NA
71	917	170563	DECAL, MOWER WARN. KEEP HAND AWAY	9	3	NA
71	917	443183	DECAL, HOOD	9	4	NA
71	917	426029	DECAL, ENGINE HP	9	5	NA
71	917	434529	DECAL, FENDER WARNING	9	6	NA
71	917	434529	DECAL, FEND	9	7	NA
71	917	421534	DECAL, V-BELT SCHEMATIC	9	8	NA
71	917	434996	DECAL, BATTERY WARNING	9	9	NA
71	917	434995	DECAL, BATTERY	9	10	NA
71	917	432489	DECAL, REPLACEMENT	9	11	NA
71	917	426076	DECAL, CUST RESP. E-85	9	12	NA
71	917	160396	DECAL, MOWER V-BELT SCH.	9	13	NA
71	917	59192	CAP, VALVE, TIRE	10	1	NA
71	917	65139	STEM, VALVE	10	2	NA
71	917	106732X613	RIM ASSEMBLY, FRONT	10	3	NA
71	917	59904	TUBE, FRONT	10	4	NA
71	917	106222X	TIRE, FRONT	10	5	NA
71	917	278H	FITTING, GREASE	10	6	NA
71	917	9040H	BEARING, FLANGE	10	7	NA
71	917	104757X428	CAP, AXLE (FRONT WHEEL ONLY)	10	8	NA
71	917	138468	TIRE, 18 X 9.5-8 TURFSAVER LT	10	9	NA
71	917	7152J	TUBE, REAR	10	10	NA
71	917	106108X613	RIM ASSEMBLY, RH	10	11	NA

Product Type: Brand: Model:

Div	PLS	Part Number	Description	Page ID	Key ID	Key Suffix ID
71	143	772147	TRANSAXLE COVER	1	1	NA
71	143	780086A	NEEDLE BEARING 5/8"	1	2	NA
71	143	770128	TRANSAXLE CASE	1	3	NA
71	143	776395	COUNTERSHAFT	1	4	NA
71	143	776409	OUTPUT SHAFT	1	5	NA
71	143	778369	SPUR GEAR (15 TEETH)	1	6	A
71	143	778364	SPUR GEAR (38 TEETH)	1	6	NA
71	143	778330	SPUR GEAR (11 TEETH)	1	7	NA
71	143	792047	WOODRUFF KEY #9	1	8	A
71	143	792180	SHIFT KEY	1	8	NA
71	143	784352	SHIFT COLLAR	1	9	NA
71	143	784378	SHIFT ROD & FORK	1	10	NA
71	143	778334	BEVEL GEAR (30 TEETH)	1	11	NA
71	143	778309	INPUT BEVEL PINION (13 TEETH)	1	12	NA
71	143	778368	BEVEL GEAR (13 TEETH) (INCL. 14)	1	13	NA
71	143	778368	BEVEL PINION (13 TEETH) (INCL. 13)	1	14	NA
71	143	778370	RING GEAR (43 TEETH)	1	15	NA
71	143	786188	DRIVE PIN	1	17	NA
71	143	786102	SPACER 1.130 X .695	1	18	NA
71	143	792077A	BALL 5/16" DIA	1	20	NA
71	143	792211	CAP SCREW 3/8-16 X 3/8"	1	21	NA
71	143	792079	SPRING .310 OD X .625 L	1	22	NA
71	143	792177	SCREW 1/4-20 X 1-3/8"	1	25	A
71	143	792073A	SCREW 1/4-20 X 1-1/4"	1	25	NA
71	143	792125	RETAINING RING (PKG OF 2)	1	26	NA
71	143	792035	RETAINING RING	1	27	NA
71	143	788040	RETAINING RING	1	28	NA
71	143	780160	THRUST WASHER .563 ID X .031W	1	29	A
71	143	780051	THRUST WASHER .762 ID X .031W	1	29	B
71	143	780199	ANTI-ROTATION WASHER .632	1	29	C
71	143	780072	THRUST WASHER .627 ID X .031W	1	29	NA
71	143	780108	CUP WASHER 1.127 ID X .032W	1	30	NA
71	143	780195	FLAT WASHER .750 ID X .062W	1	31	A
71	143	780001	FLAT WASHER .750 ID X .056W (USE AS NEEDED)	1	31	NA
71	143	788083	OIL SEAL 5/8"	1	32	NA
71	143	780194	BUSHING .563	1	34	NA
71	143	780197	FLANGED BUSHING .751	1	35	A
71	143	780193	FLANGED BUSHING 5/8" ID	1	35	NA
71	143	790075	BRAKE DISK	1	36	NA
71	143	790007	BRAKE PAD PLATE	1	37	NA
71	143	799021	BRAKE PAD (PKG OF 2)	1	38	NA
71	143	786026	DOWEL PIN	1	39	NA
71	143	792076A	FLAT WASHER .312 ID X .059W	1	40	NA
71	143	790058	BRAKE LEVER	1	41	A
71	143	792085A	SCREW 1/4-20 X 2-1/4"	1	42	A
71	143	792073A	SCREW 1/4-20 X 1-1/4"	1	42	NA
71	143	792075	LOCKNUT 5/16-24	1	43	NA
71	143	790025	BRAKE PAD HOLDER	1	44	NA

71	143	786067	SPACER .2625 X 1.0	1	45	NA
71	143	786086	BRAKE LEVER BRACKET	1	46	NA
71	143	774690	AXLE (11-15/16" LONG)	1	47	NA
71	143	774691	AXLE (16-1/2" LONG)	1	48	NA
71	143	778356	SPUR GEAR (29 TEETH)	1	49	NA
71	143	778338	SPUR GEAR (27 TEETH)	1	50	NA
71	143	778354	SPUR GEAR (23 TEETH)	1	51	NA
71	143	778313	SPUR GEAR (19 TEETH)	1	52	NA
71	143	778350	SPUR GEAR (16 TEETH)	1	53	NA
71	143	778346	SPUR GEAR (15 TEETH)	1	54	NA
71	143	778355	SPUR GEAR (11 TEETH)	1	56	NA
71	143	778351	SPUR GEAR (21 TEETH)	1	57	NA
71	143	778349	SPUR GEAR (24 TEETH)	1	60	NA
71	143	778345	SPUR GEAR (25 TEETH)	1	61	NA
71	143	780189	FLAT WASHER .563 ID X .062W	1	65	NA
71	143	776422	INPUT SHAFT	1	66	NA
71	143	776396	SHIFTER & BRAKE SHAFT	1	67	NA
71	143	792170	RETAINING RING	1	69	NA
71	143	786187	SPACER .890	1	70	NA
71	143	788092	"O" RING	1	71	B
71	143	780090	FLAT WASHER 1.128 ID X .058W	1	76	NA
71	143	788078A	INVERTED RETAINING RING	1	77	NA
71	143	792144	SPRING .430 OD X .5000 L	1	79	NA
71	143	778333	BEVEL & SPUR GEAR (30 & 13 TEETH)	1	82	NA
71	143	778338	SPUR GEAR (27 TEETH)	1	83	NA
71	143	792154	OIL FILL PLUG	1	85	NA
71	143	788089A	OIL SEAL 9/16"	1	87	NA
71	143	788093A	LIQUID GASKET RTV SILICONE	1	150	NA
71	143	788088A	OIL SEAL 3/4"	1	157	NA
71	143	730229A	GEAR OIL 80W90	1	180	NA
71	143	794691	REPLACEMENT MST-206-545C TRANSAXLE REMOVE: 790079 BRAKE LEVER ADD: 790058 BRAKE LEVER	1	900	NA