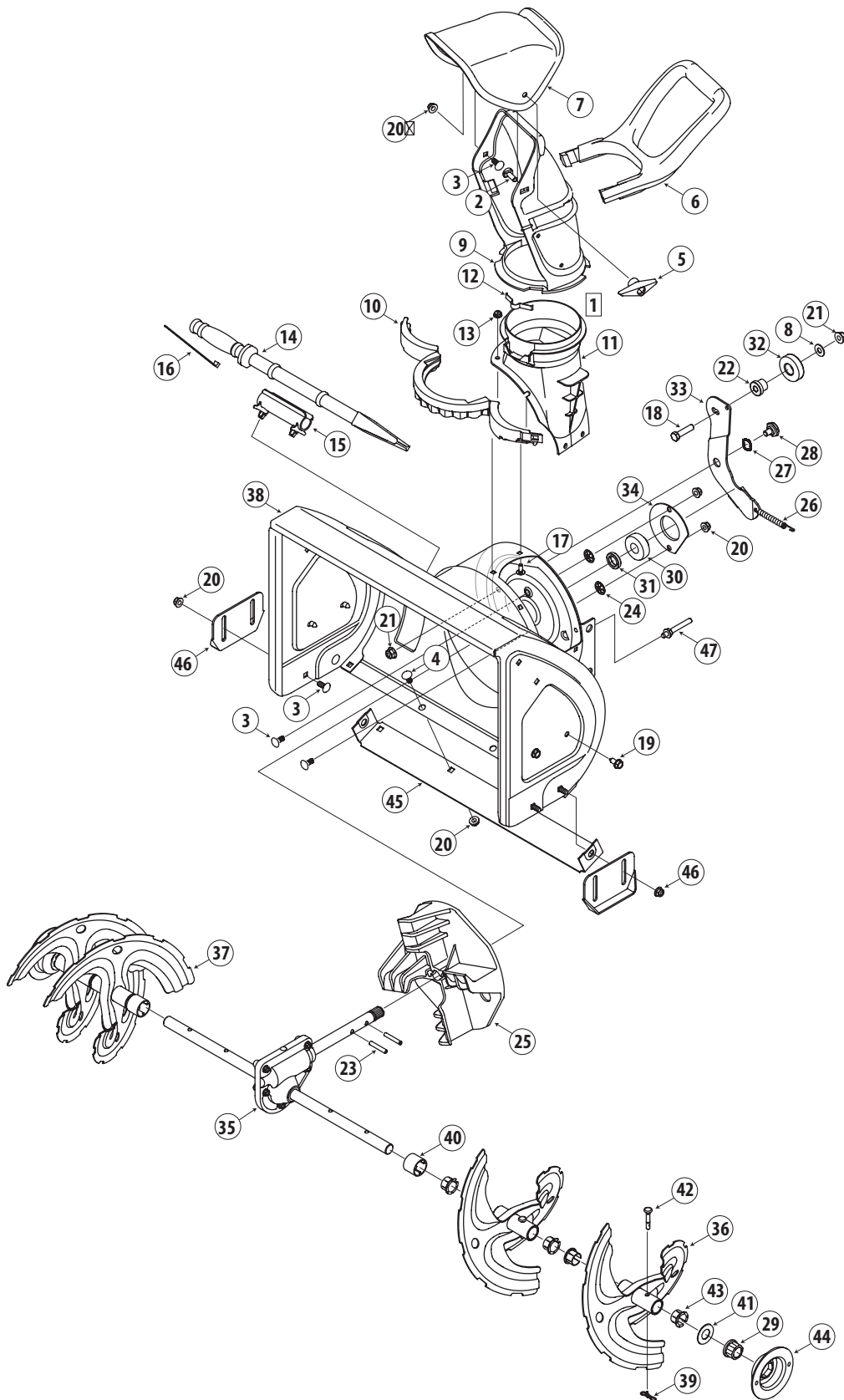


Parts List

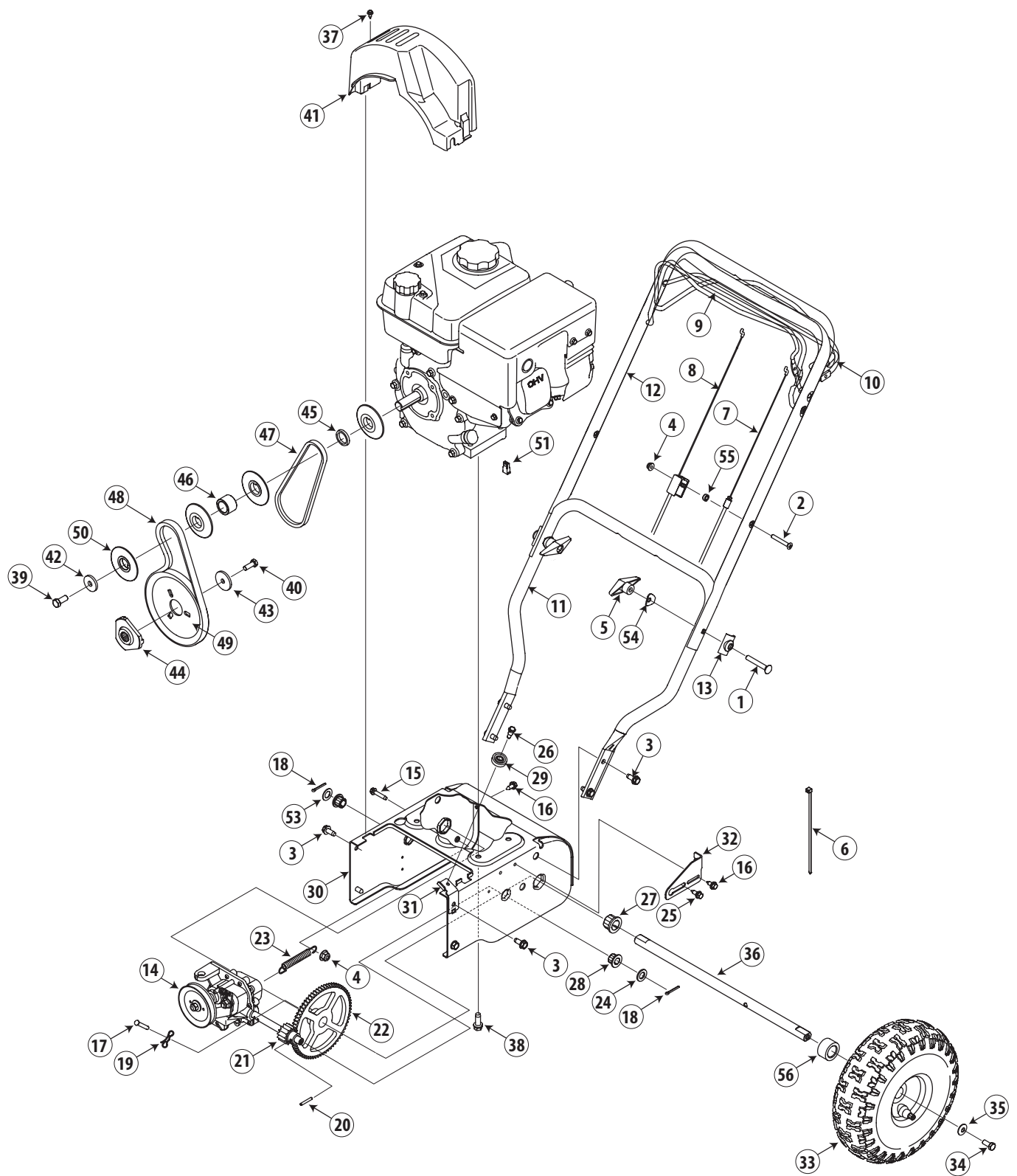


Parts List

| REF NO. | PART NUMBER | DESCRIPTION |
|---------|-------------|-------------------------------|
| 1 | 684-04037 | Chute Assembly |
| 2 | 710-04071 | Carriage Bolt 5/16-18 x 1.0" |
| 3 | 710-0451 | Carriage Bolt 5/16-18 |
| 4 | 710-0260A | Carriage Bolt 5/16-18 x .62 |
| 5 | 720-0284 | Wing Knob 5/16-18 |
| 6 | 731-04388A | Chute Handle |
| 7 | 731-04426A | Upper Chute |
| 8 | 736-0267 | Flat Washer .385 x .87 x .06 |
| 9 | 731-04127 | Lower Chute |
| 10 | 731-04353 | Chute Ring |
| 11 | 731-2636A | Chute Adapter 5" Dia. |
| 12 | 732-04111 | Chute Adjustment Spring |
| 13 | 712-04064 | Flange Lock Nut 1/4-20 |
| 14 | 731-2643 | Clean-out Tool |
| 15 | 731-2635 | Clean-out Tool Mount |
| 16 | 725-0157 | Cable Tie |
| 17 | 710-0134 | Carriage Screw 1/4-20 x 0.62" |
| 18 | 710-0520 | Hex Bolt 3/8-16 x 1.50" |
| 19 | 710-04484 | AB Screw 5/16-18 x .750 |
| 20 | 712-04063 | Flange Lock Nut, 5/16-18 |
| 21 | 712-04065 | Flange Lock Nut, 3/8-16 |
| 22 | 750-04852 | Shoulder Spacer |
| 23 | 715-04020 | Spiral Pin |
| 24 | 726-04012 | Push On Nut |

| REF NO. | PART NUMBER | DESCRIPTION |
|---------|-------------|-----------------------------|
| 25 | 731-04218B | Impeller |
| 26 | 732-0611 | Extension Spring |
| 27 | 736-0174 | Wave Washer |
| 28 | 738-0281 | Shoulder Screw 3/8-16 |
| 29 | 741-0245 | Hex Flange Bearing |
| 30 | 741-0309 | Ball Bearing |
| 31 | 750-04191 | Spacer |
| 32 | 741-0919 | Flat Idler |
| 33 | 784-0434 | Auger Idler Bracket |
| 34 | 790-00075 | Bearing Housing |
| 35 | 618-04292A | Auger Gearbox Assembly |
| 36 | 684-04113A | Auger Assembly - LH |
| 37 | 684-04114A | Auger Assembly - RH |
| 38 | 684-04166A | Auger Housing, 22" |
| 39 | 714-04040 | Bow Tie Cotter Pin 72 |
| 40 | 731-04870 | Spacer, 1.25 x .75 x 1.00 |
| 41 | 736-0351 | Flat Washer |
| 42 | 738-04124A | Shear Pin,.25 x 1.50 |
| 43 | 741-0493A | Flange Bushing |
| 44 | 790-00087A | Hex Bearing Housing |
| 45 | 790-00117 | Shave Plate 2.25 x 21.66 LG |
| 46 | 784-5580 | Skid Shoe |
| 47 | 710-04606 | Belt Keeper |
| | | |

Parts List



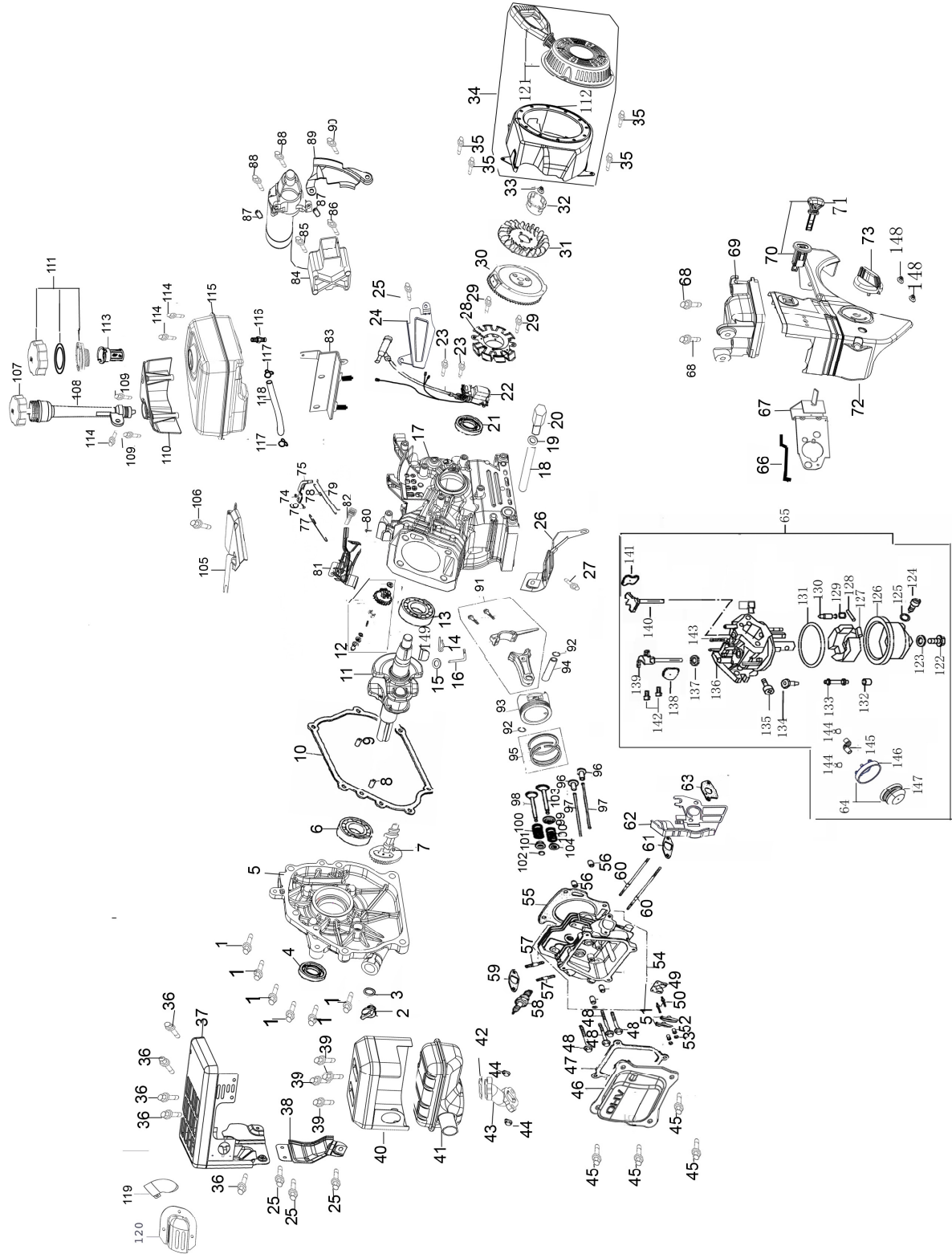
Parts List

| Ref. No. | Part No. | Description |
|----------|------------|-------------------------------|
| 1 | 710-0449 | Carriage Screw 5/16-18 x 2.25 |
| 2 | 710-0605 | Mach. Screw 1/4-20 x 1.825 |
| 3 | 710-04484 | Screw 5/16-18 x .75 |
| 4 | 712-04064 | Flange Lock Nut 1/4-20 |
| 5 | 720-0284 | Wing Knob 5/16-18 |
| 6 | 725-0157 | Cable Tie |
| 7 | 746-04256 | Drive Cable |
| 8 | 746-04236 | Auger Cable |
| 9 | 747-1161A | Auger Control |
| 10 | 747-1214 | Drive Control |
| 11 | 749-04147 | Lower Handle |
| 12 | 749-04459 | Upper Handle |
| 13 | 790-00053 | Handle Tab |
| 14 | 618-04296A | Transmission Assembly |
| 15 | 710-0809 | TT Screw 1/4-20 x 1.25 |
| 16 | 710-1652 | Screw 1/4-20 x .625 |
| 17 | 711-1364 | Clevis Pin |
| 18 | 714-0115 | Cotter Pin 1/8 x 1.0 |
| 19 | 714-04040 | Bow Tie Cotter Pin 72 |
| 20 | 715-0249 | Roll Pin |
| 21 | 717-04066A | Pinion 14T |
| 22 | 717-04073A | Gear 70T |
| 23 | 732-0429A | Extension Spring |
| 24 | 736-0192 | Flat Washer |
| 25 | 738-04184A | Shoulder Screw 1/4-20 |
| 26 | 738-0924A | Shoulder Screw 1/4-28 |
| 27 | 741-0245 | Hex Flange Bearing |
| 28 | 741-04108 | Hex Flange Bearing |

| Ref. No. | Part No. | Description |
|----------|------------|-------------------------------|
| 29 | 756-0625 | Cable Roller |
| 30 | 784-0419C | Drive Housing Frame |
| 31 | 790-00223A | Auger Cable Bracket |
| 32 | 790-00224 | Auger Cable Adj. Bracket |
| 33 | 634-04282A | Wheel Assy Snow Hog Gray |
| 34 | 710-0627 | Lock Bolt 5/16-24 x .75 |
| 35 | 736-0242 | Bell Washer .34 x .872 x .06 |
| 36 | 738-04321 | Axle |
| 37 | 710-0224 | Hex Screw #10-16 x .500 |
| 38 | 710-0654A | TT Sems Screw 3/8-16 x 1.0 |
| 39 | 710-0696 | Hex Bolt 3/8-24 x .875 |
| 40 | 710-1245B | Lock Bolt 5/16-24 x .875 |
| 41 | 731-04162A | Belt Cover |
| 42 | 736-0247 | Flat Washer .406 ID x 1.25 OD |
| 43 | 736-0505 | Flat Washer .34 ID x 1.50 OD |
| 44 | 748-04067A | Pulley: Adapter .75 Dia. |
| 45 | 750-1355 | Spacer .876 x 1.25 x .19 |
| 46 | 750-1356 | Spacer .876 x 1.25 x .86 |
| 47 | 754-04013 | V-Belt 3/8 x 21.108 Lg. |
| 48 | 754-04014 | V-Belt 3/8 x 26.680 Lg. |
| 49 | 756-04024 | Auger Pulley |
| 50 | 756-0569 | Pulley Half |
| 51 | 729-04035 | Amp Sealed Connector |
| 52 | 731-05672A | Spacer |
| 53 | 736-0160 | Flat Washer .53 x .93 x .05 |
| 54 | 736-0451 | Saddle Washer |
| 55 | 750-04913 | Spacer |

Parts List

Craftsman Engine Model ZS365-SU For Snow Thrower Model 247.88755



Parts List

Craftsman Engine Model ZS365-SU For Snow Thrower Model 247.88755

| Part No. | Description | Ref. No. | Part No. | Description | Ref. No. |
|-----------|-------------------------------|----------|-----------|-----------------------------------|----------|
| 751-10645 | Electric Starter | 84 | 751-10660 | Gasket Kit Complete | |
| 751-10646 | Ignition Coil | 22 | | Oil Seal | 4 |
| 751-10663 | Fan Cover Complete | 112 | | Crankcase Cover Gasket | 10 |
| 751-10658 | Recoil Starter Assembly | 121 | | O-Ring | 15 |
| 751-10654 | Governor Spring | 77 | | Cylinder Head Gasket | 55 |
| 751-10664 | Throttle Return Spring | 78 | | Muffler Gasket | 59 |
| 751-10665 | Governor Rod | 79 | | Head Cover Gasket | 47 |
| 751-10655 | Dipstick | 107 | | Carb Insulator Gasket | 61 |
| 751-10656 | Dipstick Tube | 108 | | Carburetor Insulator | 62 |
| 751-10662 | Cover - Engine/Dipstick | 110 | | Carburetor Gasket | 63 |
| 751-10652 | Fuel Filter | 113 | | Paper Gasket | 42 |
| 751-10653 | Fuel Tank | 115 | | Oil Drain Washer | 19 |
| 751-10642 | Muffler Shroud | 37 | 751-10661 | Gasket Kit External | |
| 751-10666 | Muffler Gasket | 59 | | Oil Drain Washer | 19 |
| 751-10292 | Spark Plug | 58 | | Muffler Gasket | 59 |
| 751-10639 | Primer | 64 | | Carb Insulator Gasket | 61 |
| 751-10638 | Carburetor Assembly | 65 | | Carburetor Insulator | 62 |
| 751-10635 | Air Filter Heating Pipe Cover | 69 | | Carburetor Gasket | 63 |
| 751-10637 | Ignition Switch | 70 | | Head Cover Gasket | 47 |
| 751-10630 | Ignition Key | 71 | 751-10668 | Cylinder Head Assembly | |
| 751-10636 | Choke Lever | 73 | | Rocker Arm | 51 |
| 751-10634 | Engine Shroud | 72 | | Intake Valve | 103 |
| 751-10643 | Muffler Shield | 40 | | Exhaust Valve | 98 |
| 751-10640 | Choke Push Rod | 66 | | Valve Spring | 100 |
| 751-10651 | Fuel Tank Nipple | 116 | | Valve Spring Retainers - Exhaust | 101 |
| 751-10307 | Flywheel Key | N/A | | Pivot Adjusting Nut | 52 |
| 731-05696 | Starter Handle | N/A | | Rocker Arm Lock Nut | 53 |
| 952Z365- | Engine Complete | N/A | | Rocker Arm Studs | 50 |
| | | | | Push Rod Guide | 49 |
| | | | | Valve Cover Gasket | 47 |
| | | | | Carburetor Insulator Plate Gasket | 61 |
| | | | | Carburetor Insulator Plate | 62 |
| | | | | Muffler Gasket | 59 |
| | | | | Cylinder Head Gasket 170 | 55 |
| | | | | Cylinder Head | N/A |
| | | | | Exhaust Valve Adjuster | 102 |
| | | | | Valve Spring Retainer- Intake | 104 |

Parts List

Craftsman Engine Model ZS365-SU For Snow Thrower Model 247.88755

| Part No. | Description | Ref. No. |
|-----------|----------------------------------|----------|
| 751-10659 | Short Block | |
| | Crankcase Complete | 17 |
| | Oil Pipe Reserve | N/A |
| | Crankcase Cover | 5 |
| | Piston | 93 |
| | Piston Ring Set - Complete | 95 |
| | Piston Pin | 94 |
| | Piston Pin Clip | 92 |
| | Connecting Rod Assembly Complete | 91 |
| | Valve Lifter (Tappet) | 96 |
| | Camshaft Assembly | 7 |
| | Carb Insulator plate gasket | 61 |
| | Crankshaft Assembly | 11 |
| | Carburetor Insulator Plate | 62 |
| | Muffler Gasket | 59 |
| | Governor Arm Shaft | 16 |
| | Pin Lock | 14 |
| | Governor Assembly | 12 |
| | Case Cover Gasket | 10 |
| | Cylinder Head Gasket | 55 |
| | Valve Cover Gasket | 47 |
| | Oil Drain Bolt | 20 |
| | Oil Drain Plug Washer | 19 |
| | Dowel Pin | 9 |
| | Dowel Pin | 8 |
| | Dowel Pin | 56 |
| | Bearing | 13 |
| | Bolt | 1 |
| | Oil Seal | 4 |
| | O-Ring - Governor Arm | 15 |
| | Oil Filler Plug | 2 |
| | O-Ring - Oil Filler Plug | 3 |
| | Oil Drain Pipe | 18 |

| Part No. | Description | Ref. No. |
|-----------|---------------------------|----------|
| 751-10641 | Oil Drain Assembly | |
| | Oil Drain Pipe | 18 |
| | Drain Bolt | 2 |
| 751-10647 | Valve Kit | |
| | Exhaust Valve | 98 |
| | Intake Valve | 103 |
| 751-10648 | Push Rod Kit | |
| | Push Rod | 97 |
| 751-10649 | Fuel Cap Assembly | |
| | Fuel Cap Complete | 111 |
| | Packing (Gasket) | N/A |
| | Clip (Gasket Retainer) | N/A |
| 751-10650 | Fuel Line Kit | |
| | Fuel Line Clamp | 117 |
| | Fuel Line | 118 |
| 751-10657 | Muffler Stud Assembly | |
| | Muffler Stud | 60 |
| 751-10669 | Oil Fill Plug Assembly | |
| | Oil Fill Plug | 2 |
| | O-Ring | 3 |
| 751-10644 | Muffler Assembly Complete | |
| | Muffler Assembly | 41 |
| | Exhaust Pipe | 43 |