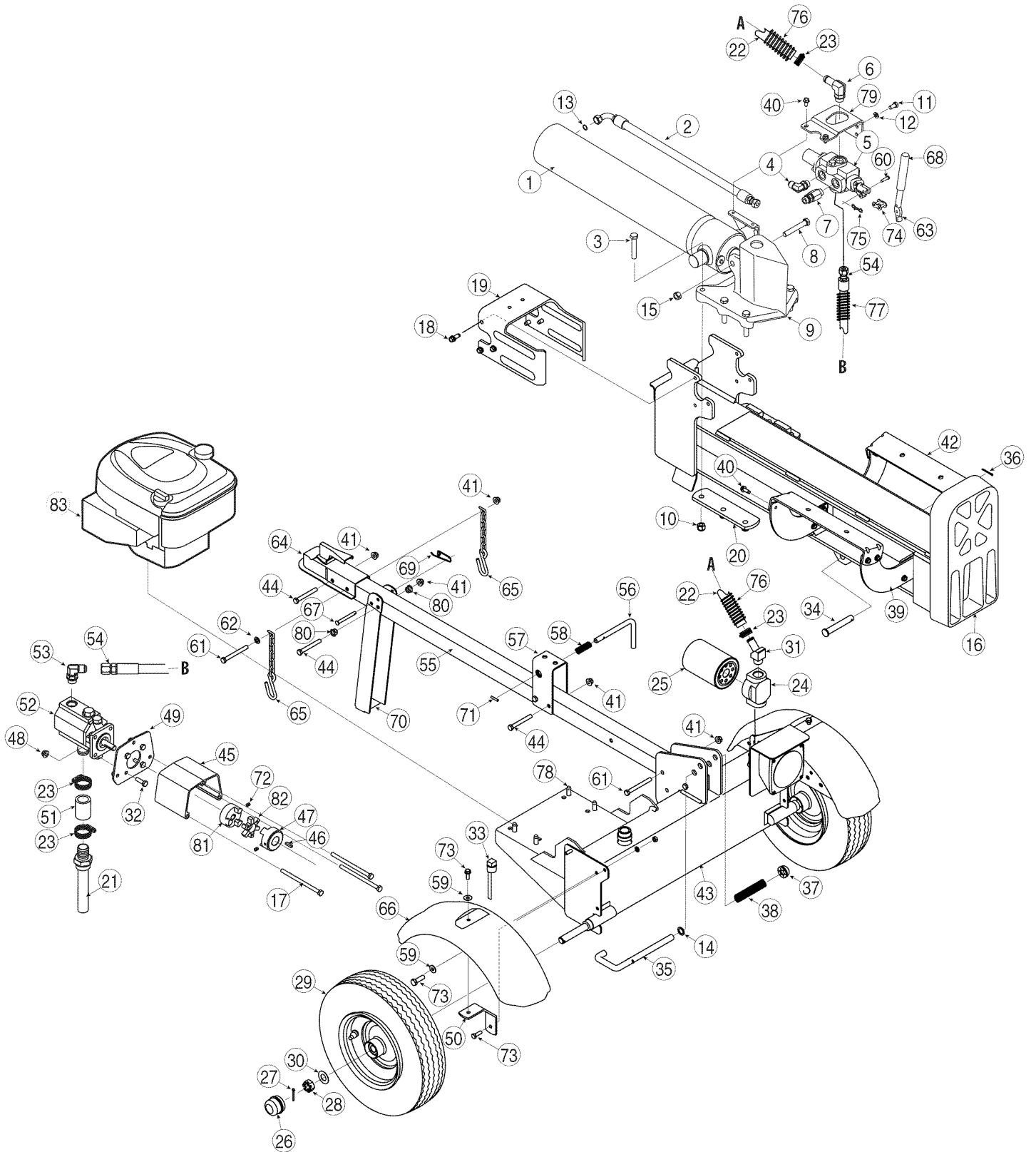


PARTS LIST

Craftsman Log Splitter Model 247.776411



PARTS LIST

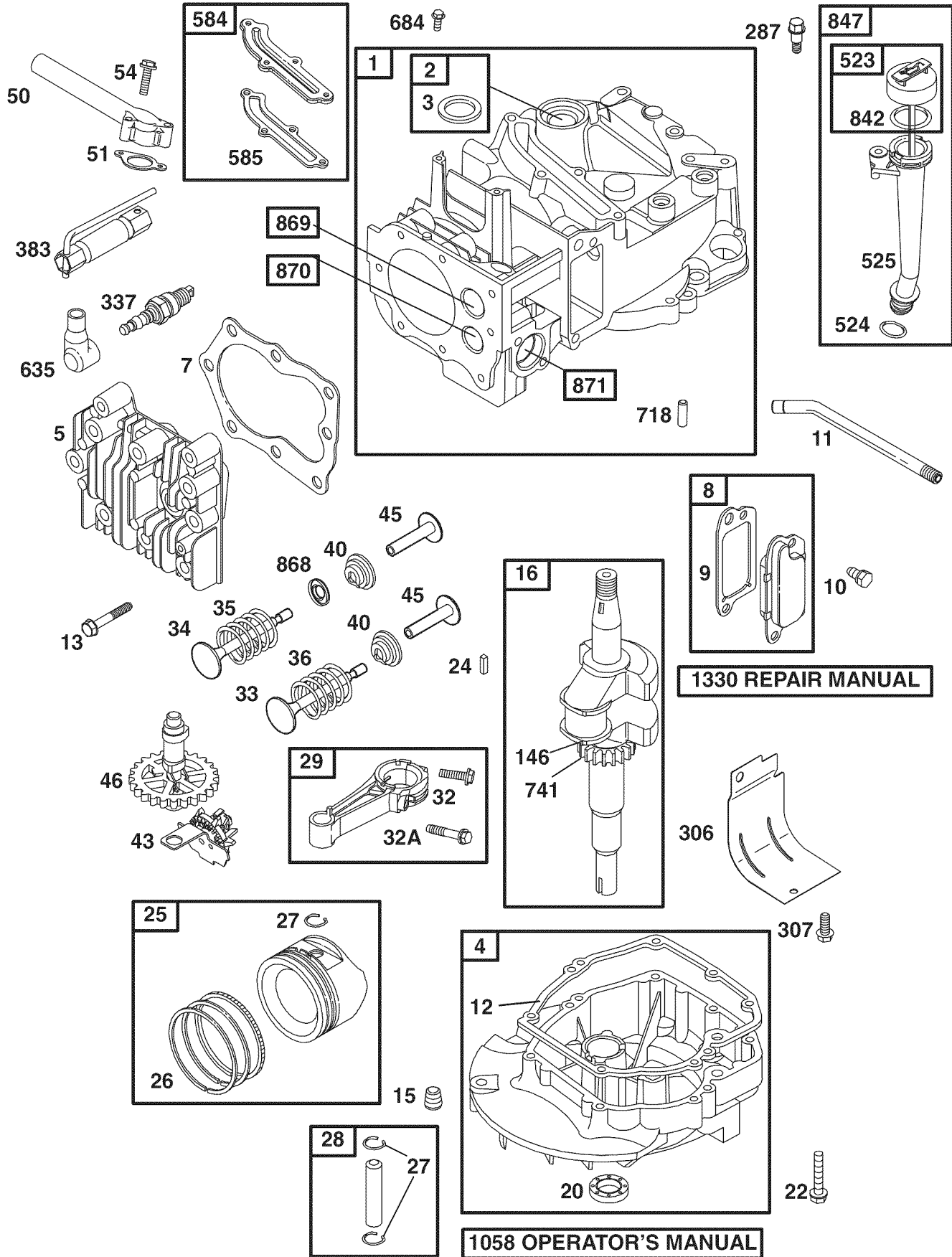
Craftsman Log Splitter Model 247.776411

Ref. No.	Part No.	Description
1.	918-04713	Hydraulic Cylinder
2.	727-04362	Hydraulic Tube
3.	710-1018	Hex Cap Screw, 1/2-20 x 2.75
4.	737-04320	90 Degree Solid Adapter
5.	718-04706P	Control Valve
6.	737-04307	Return Elbow
7.	737-04309	Nipple Pipe, 1/2-14
8.	710-1806	Hex Cap Screw, 1/2-13 x 3.25
9.	719-04529	Wedge Assembly
10.	912-3058	Hex Lock Nut, 1/2-20
11.	710-0216	Hex Cap Screw, 3/8-16 x .75
12.	936-0169	Lock Washer, 3/8
13.	721-04411	O-Ring, .489 x 070
14.	936-0116	Flat Washer, .635 x.93 x.06
15.	712-3022	Hex Lock Nut, 1/2-13
16.	681-04112-0637	Beam Assembly
17.	710-3056	Hex Screw, 5/16-18 x 3.25
18.	710-04683	Self Tapping Screw, 3/8-16 x 1.0
19.	781-04426	Dislodger Bracket
20.	781-0790A-0637	Back Plate
21.	737-04308	Inlet Filter
22.	727-0443	Return Hose, 3/4 x 44
23.	726-0132	Hose Clamp, 5/8
24.	737-04267	Filter Housing
25.	723-0405	Oil Filter
26.	734-0873	Hub Cap
27.	714-0162	Cotter Pin
28.	712-0359	Slotted Nut, 3/4-16
29.	634-0186	Complete Wheel Assembly
30.	936-0351	Flat Washer, .760 x.500
31.	737-04323	Hydraulic Fitting
32.	710-0376	Hex Screw, 5/16-18 x 1.00
33.	737-0348A	Vented Dipstick
34.	711-05169	Clevis Pin
35.	747-04983	Lock Rod
36.	914-0470	Cotter Pin
37.	726-0214	Push Cap
38.	732-0583	Compression Spring
39.	781-04293-0637	Log Tray Bracket
40.	710-04484	Hex Washer Screw, 5/16-18 x .750
41.	712-04065	Flange Lock Nut, 3/8-16
42.	781-04179-0637	Log Tray

Ref. No.	Part No.	Description
43.	681-04131	Frame Assembly
44.	710-0521	Hex Bolt, 3/8-16 x 3
45.	719-0353	Coupling Shield
46.	914-0122	Square Key, 3/16" x .75
47.	718-04395	Coupling, .875
48.	712-04063	Flange Lock Nut, 5/16-18
49.	781-0097-0637	Rear Coupling Support Bracket
50.	781-1024A-0637	Fender Mounting Bracket
51.	727-04290	Hose
52.	918-04127	Gear Pump
53.	737-04321	45 Degree Elbow Fitting
54.	727-04288	High Pressure Hydraulic Hose
55.	781-04424	Tongue Assembly
56.	747-1261	Latch Rod
57.	781-1045	Latch
58.	932-3127	Compression Spring
59.	736-0371	Flat Washer
60.	711-04585	Clevis Pin
61.	710-3085	Hex Cap Screw, 3/8-16 x 3.50
62.	936-0185	Flat Washer, .375 x.738 x.063
63.	747-04539	Hydraulic Valve Control
64.	681-04030	Hitch Coupling Assembly
65.	713-0433A	Chain
66.	731-2496A	Fender
67.	911-0813	Clevis Pin
68.	720-04088	Grip
69.	732-0194	Spring Pin
70.	781-04430	Jack Stand
71.	715-0120	Spiral Pin
72.	710-1842A	Set Screws
73.	710-0602	Self-Tapping Screw, 5/16-18 x 1.00
74.	913-04036	Valve Handle Link
75.	714-04040	Cotter Pin, Bow Tie
76.	781-0526A	Hose Guard, 44"
77.	781-0538A	Hose Guard, 48"
78.	710-04683	Sems Screw, 3/8-16 x 1.00
79.	781-04418-0637	Outer Valve Bracket
80.	941-0475	Plastic Bushing, .380 ID
81.	718-04392	Coupling, .500
82.	735-04103	Spider Bushing
83.	126L02-0531-F1	Replacement Engine

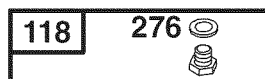
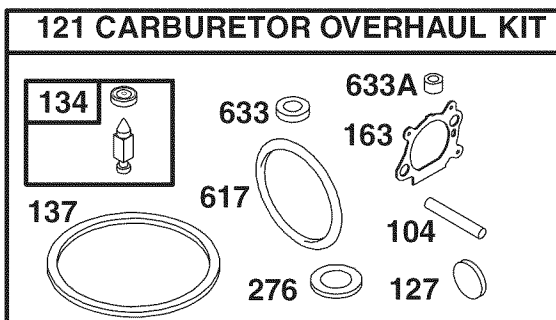
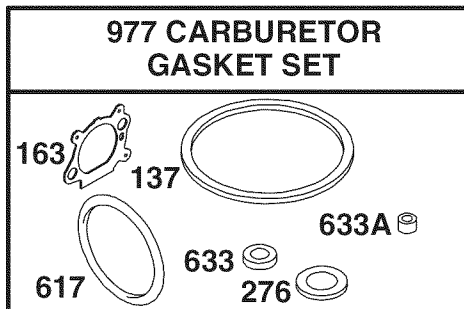
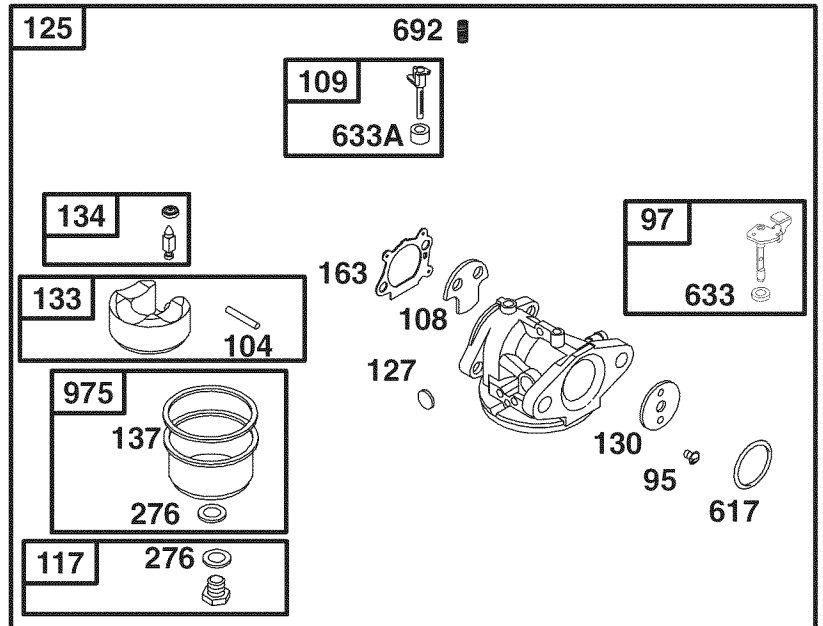
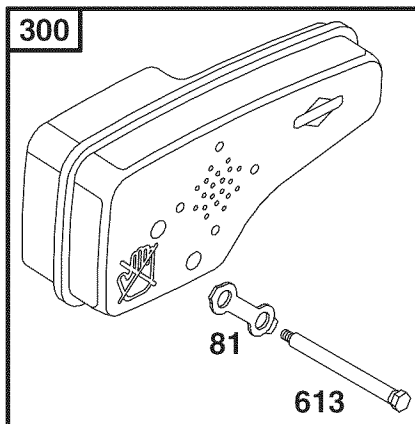
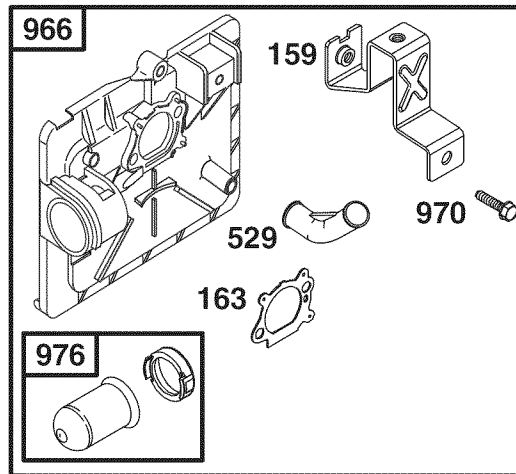
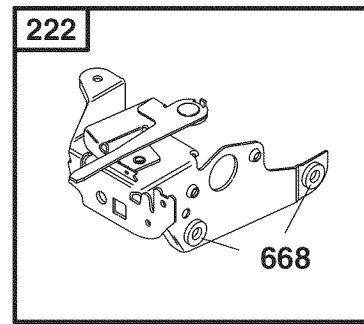
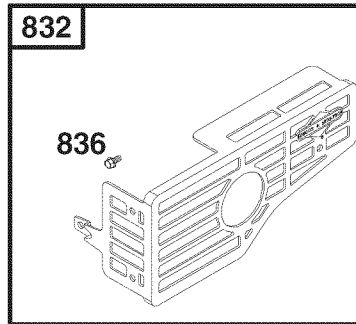
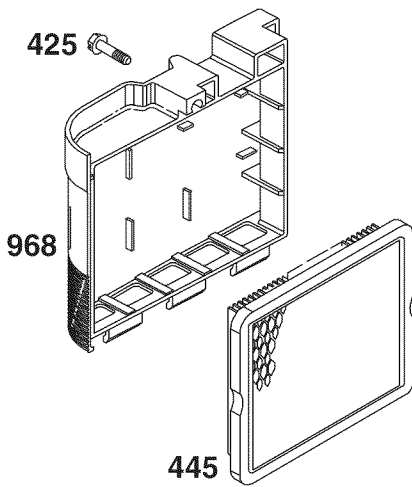
PARTS LIST

Briggs & Stratton Engine Model 126L02 For Craftsman Log Splitter Model 247.776411



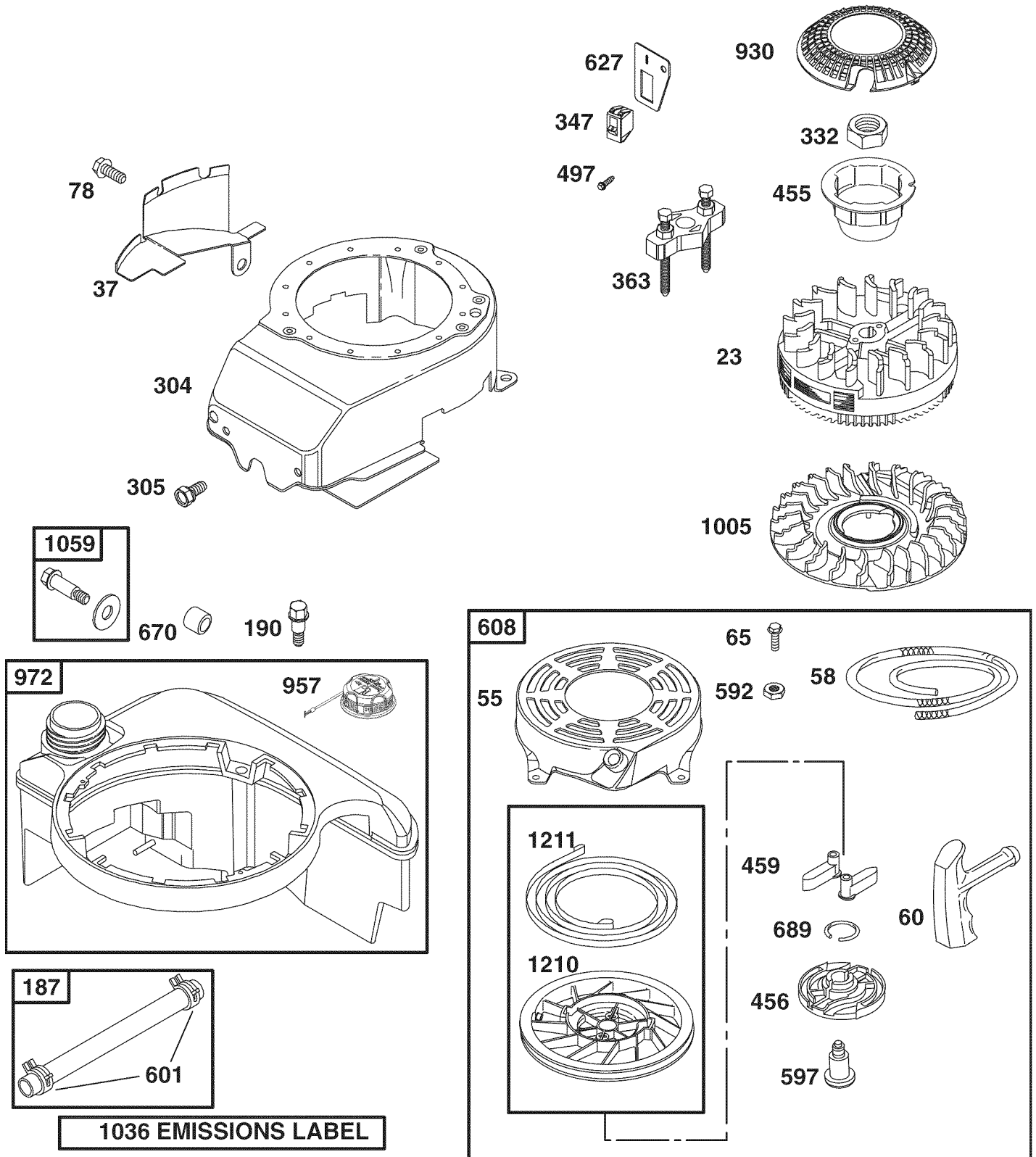
PARTS LIST

Briggs & Stratton Engine Model 126L02 For Craftsman Log Splitter Model 247.776411



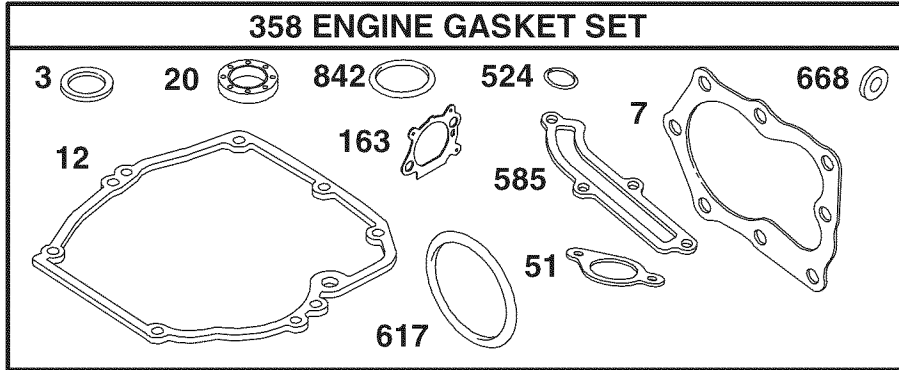
PARTS LIST

Briggs & Stratton Engine Model 126L02 For Craftsman Log Splitter Model 247.776411

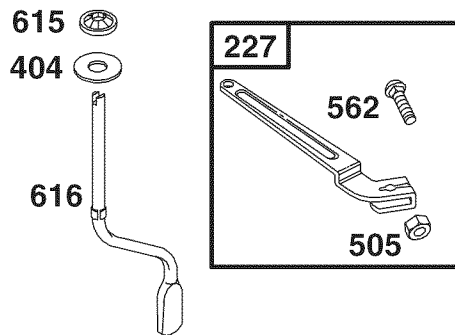
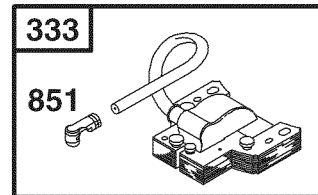
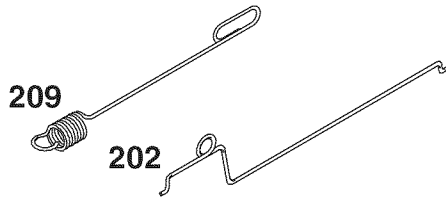
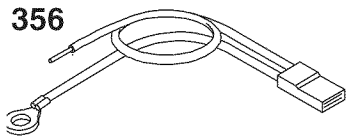
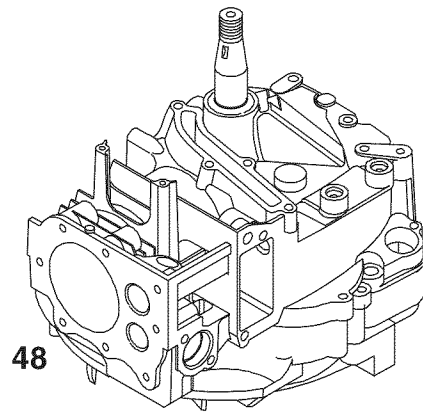


PARTS LIST

Briggs & Stratton Engine Model 126L02 For Craftsman Log Splitter Model 247.776411



1329 REPLACEMENT ENGINE



PARTS LIST

Briggs & Stratton Engine Model 126L02 For Craftsman Log Splitter Model 247.776411

Ref.No.	PartNo.	Description
1.	BS-697322	Cylinder Assembly
2.	BS-399269	Bushing/Seal Kit
3.	BS-299819S †	Oil Seal (Magneto Side)
4.	BS-493279	Engine Sump
5.	BS-691160	Cylinder Head
7.	BS-692249 †	Cylinder Head Gasket
8.	BS-695250	Breather Assembly
9.	BS-699125	Breather Gasket
10.	BS-691125	Screw (Breather Assembly)
11.	BS-691781	Breather Tube
12.	BS-692232 †	Crankcase Gasket
13.	BS-690912	Screw (Cylinder Head)
15.	BS-691680	Oil Drain Plug
16.	BS-691455	Crankshaft
20.	BS-399781S †	Oil Seal (PTO Side)
22.	BS-691092	Screw (Engine Sump)
23.	BS-691992	Flywheel
24.	BS-222698S	Flywheel Key
25.	BS-791097	Piston Assembly (Standard)
—	BS-791326	Piston Assembly (.020" Oversize)
26.	BS-791098	Piston Ring Set(Standard)
—	BS-791324	Piston Ring Set (.020" Oversize)
27.	BS-691866	Piston Pin Lock
28.	BS-499423	Piston pin
29.	BS-499424	Connecting Rod
32.	BS-691664	Screw (Connecting Rod)
32A.	BS-695759	Screw (Connecting Rod)
33.	BS-262651S	Exhaust Valve
34.	BS-262652S	Intake Valve
35.	BS-691270	Valve Spring (Intake)
36.	BS-691270	Valve Spring (Exhaust)
37.	BS-694086	Flywheel Guard
40.	BS-692194	Valve Retainer
43.	BS-691997	Governor/Oil Slinger
45.	BS-690548	Valve Tappet
46.	BS-691449	Camshaft
48.	BS-792740	Short Block
50.	BS-794305	Intake Manifold
51.	BS-794306 †	Intake Gasket
54.	BS-691650	Screw (Intake Manifold)
55.	BS-691421	Rewind Starter Housing

Ref.No.	PartNo.	Description
58.	BS-697316	Starter Rope (Cut to Req'd Length)
60.	BS-281434S	Starter Rope Grip
65.	BS-690837	Screw (Rewind Starter)
78.	BS-691108	Screw (Flywheel Guard)
81.	BS-691740	Muffler Screw Lock
95.	BS-691636	Screw (Throttle Valve)
97.	BS-696565	Throttle Shaft
104.	BS-691242 ††	Float Hinge Pin
108.	BS-691182	Choke Valve
109.	BS-498593	Choke Shaft
117.	BS-498981	Main Jet (Standard)
118.	BS-498978	Main Jet (High Altitude)
121.	BS-498260	Carburetor Overhaul Kit
125.	BS-792253	Carburetor
127.	BS-694468 ††	Welch Plug
130.	BS-696564	Throttle Valve
133.	BS-398187	Carburetor Float
134.	BS-398188 ††	Needle/Seat Valve
137.	BS-693981 ††*	Float Bowl Gasket
163.	BS-795629 †††	Air Cleaner Gasket
187.	BS-791891	Fuel Line (Cut to Required Length)
188.	BS-693399	Screw (Control Bracket)
190.	BS-690940	Screw (Fuel Tank)
202.	BS-691829	Mechanical Governor Link
209.	BS-691291	Governor Spring
222.	BS-692982	Control Bracket
227.	BS-690783	Governor Control Lever
240.	BS-298090S	Fuel Filter
276.	BS-271716 ††*	Sealing Washer
287.	BS-690940	Screw (Dipstick Tube)
300.	BS-692038	Muffler
304.	BS-493294	Blower Housing
305.	BS-691108	Screw (Blower Housing)
306.	BS-690450	Cylinder Shield
307.	BS-690345	Screw (Cylinder Shield)
332.	712-0318	Nut (Flywheel)
333.	BS-695711	Magneto Armature
334.	BS-691061	Screw (Armature Magneto)
337.	759-3338	Spark Plug
339.	BS-794797	Tube/Connector Assembly

PARTS LIST

Briggs & Stratton Engine Model 126L02 For Craftsman Log Splitter Model 247.776411

Ref.No.	PartNo.	Description
347.	BS-691396	Rocker Switch
356.	BS-693010	Stop Wire
358.	BS-794307	Engine Gasket Set
363.	BS-19069	Flywheel Puller
365.	BS-692524	Screw (Carburetor)
383.	BS-89838S	Spark Plug Wrench
404.	BS-690272	Washer (Governor Crank)
425.	BS-690670	Screw (Air Cleaner Cover)
443.	BS-692523	Screw (Air Cleaner Primer Base)
445.	BS-491588S	Air Cleaner Cartridge Filter
455.	BS-791960	Flywheel Cup
456.	BS-692299	Pawl Friction Plate
459.	BS-281505S	Ratchet Pawl
497.	BS-690664	Screw (Stopswitch)
505.	BS-691251	Nut (Governor Control Lever)
523.	BS-499621	Dipstick
524.	BS-692296 †	Dipstick Tube Seal
525.	BS-495265	Dipstick Tube
529.	BS-691923	Grommet
562.	BS-92613	Bolt (Governor Control Lever)
564.	BS-690351	Screw (Control Cover)
584.	BS-697734	Breather Passage Cover
585.	BS-691879 †	Breather Passage Gasket
592.	712-0349	Nut (Rewind Starter)
597.	BS-691696	Screw (Pawl Friction Plate)
601.	BS-791850	Hose Clamp
604.	BS-794794	Control Cover
608.	BS-497680	Rewind Starter
613.	BS-691340	Screw (Muffler)
615.	BS-690340	Governor Shaft Retainer
616.	BS-698801	Governor Crank
617.	BS-270344S †††	O-Ring Seal (Intake Manifold)
627.	BS-792565	Stopswitch Bracket
633.	BS-691321 ††*	Choke/Throttle Shaft Seal

Ref.No.	PartNo.	Description
633A.	BS-693867 ††*	Choke/Throttle Shaft Seal
635.	BS-66538S	Spark Plug Boot
668.	BS-493823	Spacer
670.	BS-692294	Fuel Tank Spacer
684.	BS-690345	Screw (Breather Passage Cover)
689.	BS-691855	Friction Spring
692.	BS-690579	Detent Spring
718.	BS-690959	Locating Pin
741.	BS-790345	Timing Gear
832.	BS-499034	Muffler Guard
836.	BS-690664	Screw (Muffler Guard)
842.	BS-691031 †	O-Ring Seal (Dipstick Tube)
843.	BS-691895	Lever Sleeve
847.	BS-692047	Dipstick/Tube Assembly
851.	BS-493880S	Spark Plug Terminal
868.	BS-697338	Valve Seal
869.	BS-691155	Valve Seat (Intake)
870.	BS-690380	Valve Seat (Exhaust)
871.	BS-262001	Guide Bushing (Exhaust)
—	BS-63709	Guide Bushing (Intake)
930.	BS-691919	Rewind Guard
957.	BS-794793	Fuel Tank Cap
966.	BS-794798	Air Cleaner Primer Base
968.	BS-692298	Air Cleaner Cover
972.	BS-794792	Fuel Tank
975.	BS-796611	Float Bowl
977.	BS-498260	Carburetor Gasket Set
1005.	BS-691346	Flywheel Fan
1036.	BS-697457	Emission Label
1058.	BS-MS3260	Owner's Manual
1059.	BS-692311	Screw/Washer Kit
1210.	BS-498144	Pulley/Spring (Pulley) Assembly
1211.	BS-498144	Pulley/Spring (Spring) Assembly
1330.	272147	Repair Manual

†Included in Engine Gasket Set, Key. No. 358

††Included in Carburetor Overhaul Kit, Key. No. 121

*Included in Carburetor Gasket Set, Key. No. 977

PARTS LIST

Craftsman Log Splitter Model 247.776411

777S33682

⚠ DANGER
1. Do not use your hands to dislodge log beam wedges.
2. Keep hands away from wedges, and pins, partially split
3. If the wedge pinched your hands with the split wedge,
release. STOP USE IMMEDIATELY, otherwise be damaged.

⚠ DANGER
KEEP HANDS AND FEET AWAY

CONTROL VALVE
↑
REVERSE
NEUTRAL
FORWARD
↓

LOG DISLODGER
Fully retracted wedge, lodged wood,
will be automatically removed.
LUBRICATE BEAM BEFORE EACH
USE. REFER TO OPERATOR'S
MANUAL FOR DETAILS.

777D16370

27 US TON
LOG SPLITTER
VERTICAL/HORIZONTAL

CRAFTSMAN

777S33681

⚠ WARNING
1. Do not use your hands to dislodge log beam wedges.
2. Keep hands away from wedges, and pins, partially split
3. If the wedge pinched your hands with the split wedge,
release. STOP USE IMMEDIATELY, otherwise be damaged.

777X43688

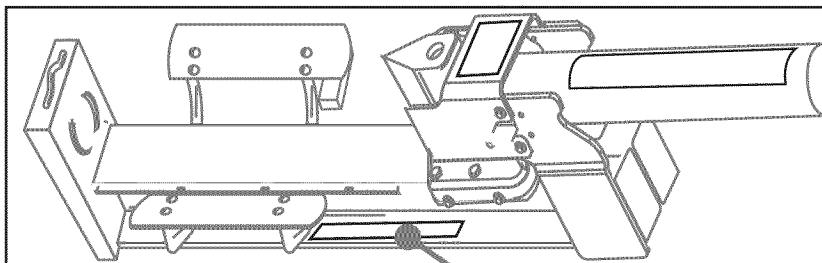
DO NOT
USE E85 OR FUEL
CONTAINING MORE
THAN 10% ETHANOL
TO AVOID ENGINE DAMAGE

777I23426

HYDRAULIC FLUID
Maintain fluid level within
the ranges specified on the
dipstick. DO NOT OVERFILL!
Check when fluid is cold and
with unit level. Never run below
this level. Pump will be ruined.
Change hydraulic fluid every 100
hours of use. Change hydraulic
filter every 50 hours of use. Use
only a 10 micron hydraulic filter.
Order Part Number Hydraulic Filter 722-0405

777X45191

Model Plate



777S33680

OPERATOR'S INSTRUCTIONS

VERTICAL
1. READ THE OPERATOR'S MANUAL.
2. Never operate on the dry wood ground beneath wheels.
3. Operate on the recommended wood species.
4. Do not use the log splitter on wet wood.
5. Do not use the log splitter on wood that is wet or frozen.
6. Do not use the log splitter on wood that is too small or too large.
7. Do not use the log splitter on wood that is too hard or too soft.
8. Do not use the log splitter on wood that is too long or too short.
9. Do not use the log splitter on wood that is too thick or too thin.
10. Do not use the log splitter on wood that is too curved or too straight.

HORIZONTAL
1. READ THE OPERATOR'S MANUAL.
2. Never operate on the dry wood ground beneath wheels.
3. Operate on the recommended wood species.
4. Do not use the log splitter on wet wood.
5. Do not use the log splitter on wood that is wet or frozen.
6. Do not use the log splitter on wood that is too small or too large.
7. Do not use the log splitter on wood that is too hard or too soft.
8. Do not use the log splitter on wood that is too long or too short.
9. Do not use the log splitter on wood that is too thick or too thin.
10. Do not use the log splitter on wood that is too curved or too straight.

⚠ DANGER
1. Do not use your hands to dislodge log beam wedges.
2. Keep hands away from wedges, and pins, partially split
3. If the wedge pinched your hands with the split wedge,
release. STOP USE IMMEDIATELY, otherwise be damaged.