



**Count on it.**

**Parts Catalog**

**Power Max Heavy Duty 926 OXE  
Snowthrower**

Model No. 38820—Serial No. 314000001 and Up



# Ordering Replacement Parts

To order replacement parts, please supply the part number, the quantity, and the description of each part desired.

## Understanding Reference Numbers

Each identified part in an illustration has a reference number. The reference number for a part also appears in the parts list, along with other information about the part.

This catalog uses two special reference number formats, one to indicate parts in a service assembly and another to indicate the quantity of a given part in an illustration.

## Service Assembly Reference Numbers

Parts in service assemblies have reference numbers in the form a:b. The a represents the reference number of the entire service assembly and the b represents a sequential number unique to each part within the service assembly.

For example, a wheel assembly might be identified by reference number 6, the tire by 6:1, the valve by 6:2, and the wheel by 6:3. When you order the assembly identified by reference number 6, you receive all parts identified by reference numbers 6:1, 6:2, and 6:3. However, you may also order any part individually. Reference numbers of this type appear in illustration and in parts lists.

## Reference Numbers Indicating Quantity

In an illustration, if a reference number indicates more than one part, the reference number has the form nX y. The n represents the quantity of the part, the X is the multiplication symbol, and the y represents the reference number.

For example, in an illustration, the reference number 2X 37 means that two of the parts identified by reference number 37 are indicated.

# List of Abbreviations

**AR:** as required

**ASM:** assembly

**BBC:** blade brake control

**BHTF:** button head thread forming

**CARR:** carriage

**CCW:** counter clockwise

**CW:** clockwise

**DEG:** degrees

**DPA:** Dual Point Adjustment

**ECM:** electronic control module

**EXT:** external

**FH:** flat head

**GA:** gauge

**HD:** heavy-duty

**HF:** hex flange

**HH:** hex head

**HHF:** hex head flange

**HHFTF:** hex head flange thread forming

**HJ:** hex jam

**HLH:** hex lag head

**HOC:** height-of-cut

**HSBH:** hex socket button head

**HSFH:** hex socket flat head

**HSH:** hex socket head

**HWH:** hex washer head

**HWHTF:** hex washer head thread forming

**HYD:** hydraulic

**LH:** left hand

**LP:** Liquefied Petroleum Gas

**LPG:** Liquefied Petroleum Gas

**NI:** nylon insert

**NPTF:** national pipe thread fine

**PFH:** phillips flat head

**PPH:** phillips pan head

**PPHTF:** phillips pan head thread forming

**PRH:** phillips round head

**PTH:** phillips truss head

**PTO:** power-take-off

**RH:** right hand

**ROPS:** roll-over protection system

**RRB:** rear roller brush

**SFH:** slotted fillister head

**SHH:** slotted hex head

**SHWH:** slotted hex washer head

**SPH:** slotted pan head

**SQH:** square head

**SRH:** slotted round head

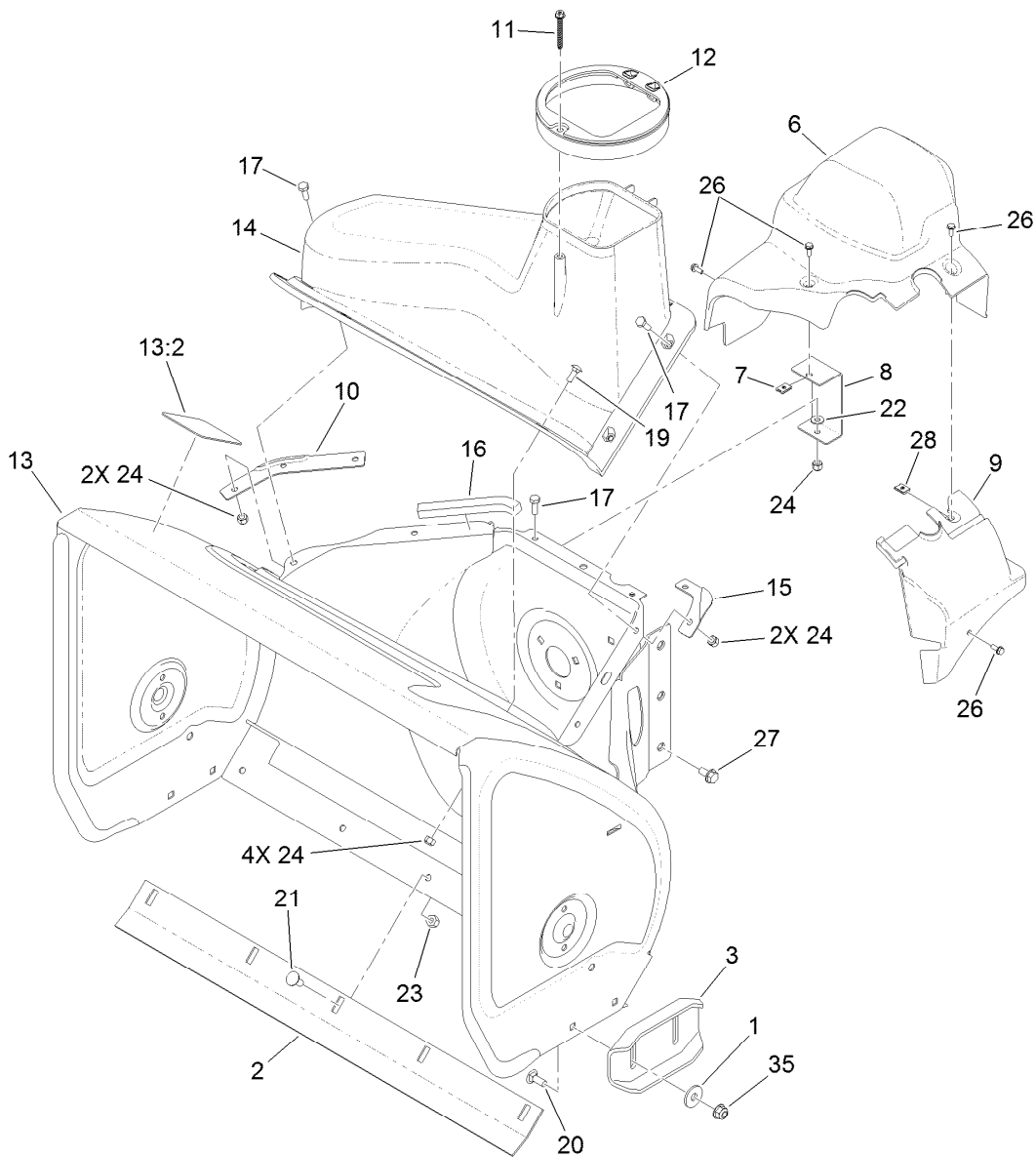
**STD:** standard

**TAP:** self tapping

**TTH:** torx truss head

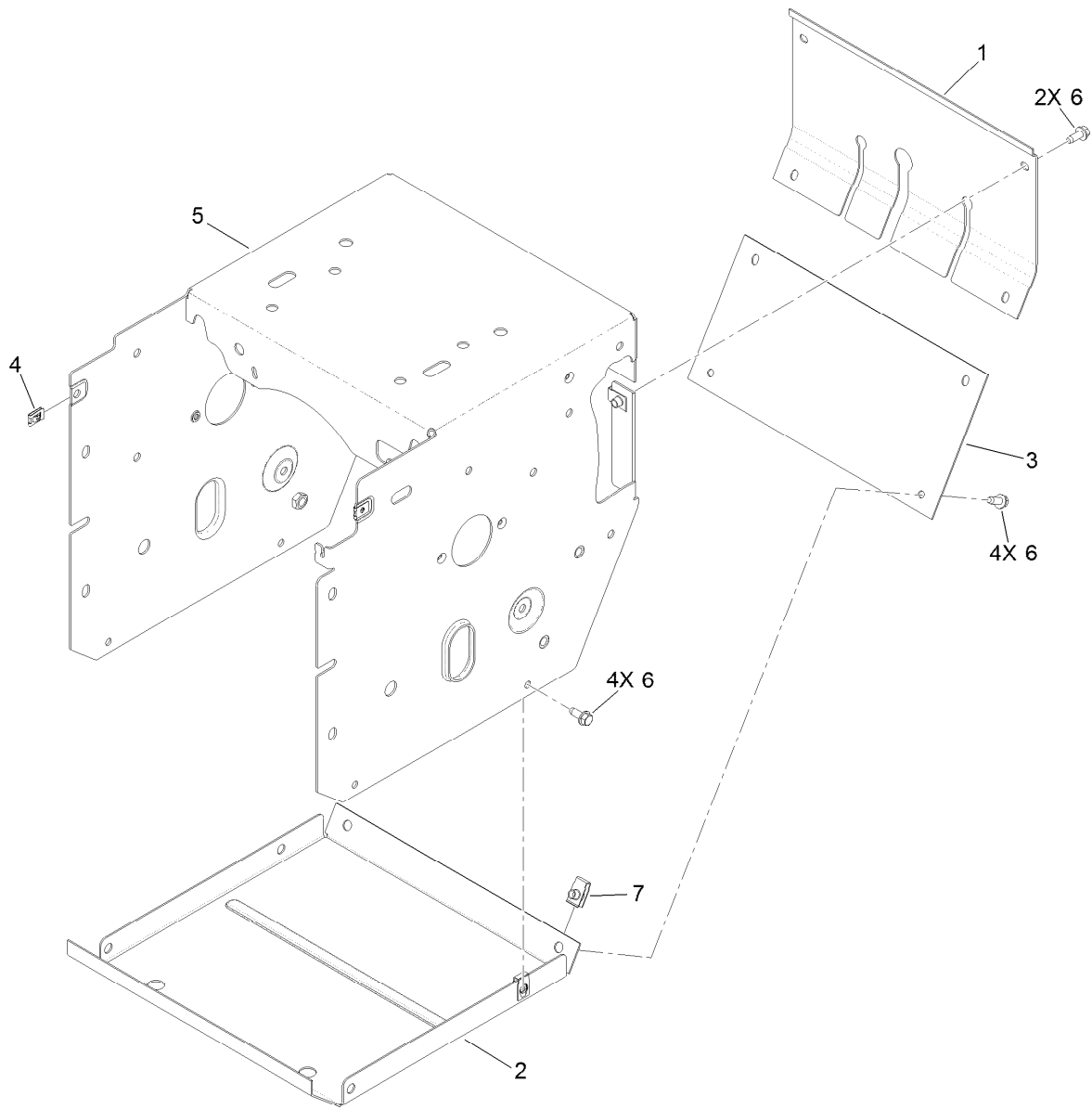
# Contents

Housing and Bypass Assembly .....	4
Traction Frame Assembly .....	5
Idler and Linkage Assembly .....	6
Auger and Impeller Assembly .....	8
Gear Case Assembly No. 125-7925 .....	9
Impeller Assembly .....	10
Engine Assembly .....	11
Fuel Tank and Recoil Engine Assembly .....	12
Crankcase Engine Assembly .....	13
Muffler, Cylinder Head and Carburetor Engine Assembly .....	15
Engine Decal Assembly .....	17
Chute Assembly .....	18
Lever Chute Control Assembly .....	19
Lower Handle and Headlamp Assembly .....	20
Controls Assembly .....	21
Wheel Clutch Assembly .....	22
Wheel Clutch Sprocket Assembly .....	24
Attachments and Accessories .....	25



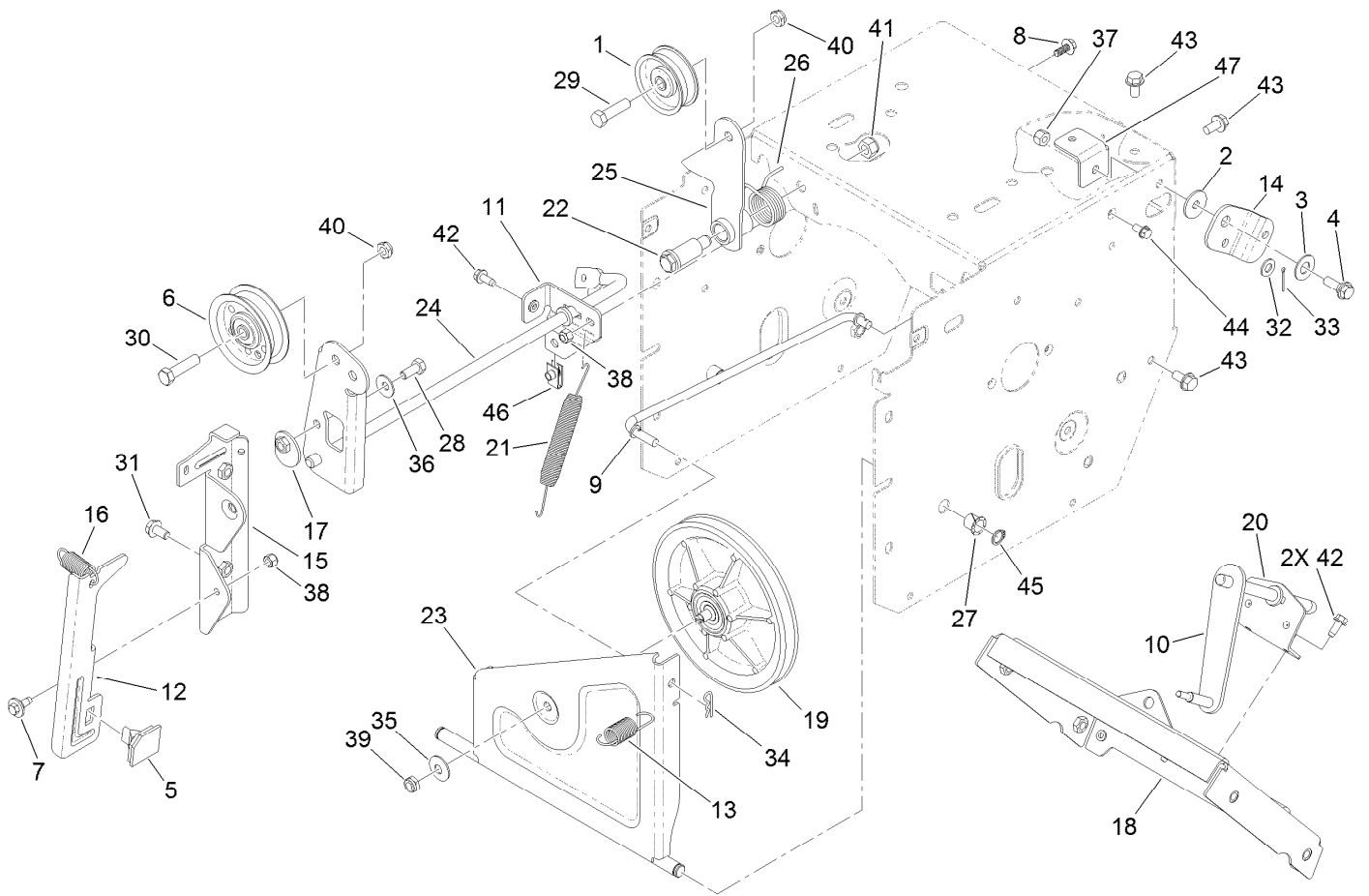
## Housing and Bypass Assembly

<i>Ref.</i>	<i>Part Number</i>	<i>Qty.</i>	<i>Description</i>	<i>Ref.</i>	<i>Part Number</i>	<i>Qty.</i>	<i>Description</i>
1	52-2861	4	Washer	15	108-0039-03	1	Seal
2	105-9976-01	1	Scraper-Fixed	16	120-0124	1	Seal-Housing
3	106-4588-01	2	Skid	17	321-4	7	Screw-HH
6	119-1563	1	Cover-Belt	19	3229-1	4	Bolt-CARR
7	107-1013	1	Nut-Speed, U-Type	20	3230-16	4	Screw-CARR
8	107-1014-03	1	Bracket-Cover, Clip Nut	21	3230-23	5	Screw-CARR
9	107-1016	1	Cover-Extension, Belt	22	3256-22	1	Washer-Flat
10	107-1017-03	1	Seal-Flange, Cover	23	3296-29	5	Nut-Lock, NI
11	114-3751	1	Screw-HWH, Plastite	24	3296-42	11	Nut-Lock, NI
12	107-3006	1	Guide-Chute	26	32144-112	4	Screw-HWH
13	107-3822	1	Housing-Auger, 26 Inch	27	32144-14	6	Screw-HWHTF
13:2	107-3040	1	Decal-Danger, Auger	28	701493	1	Nut-Speed
14	108-0017	1	Cover	35	104-8300	4	Nut-Flange, NI



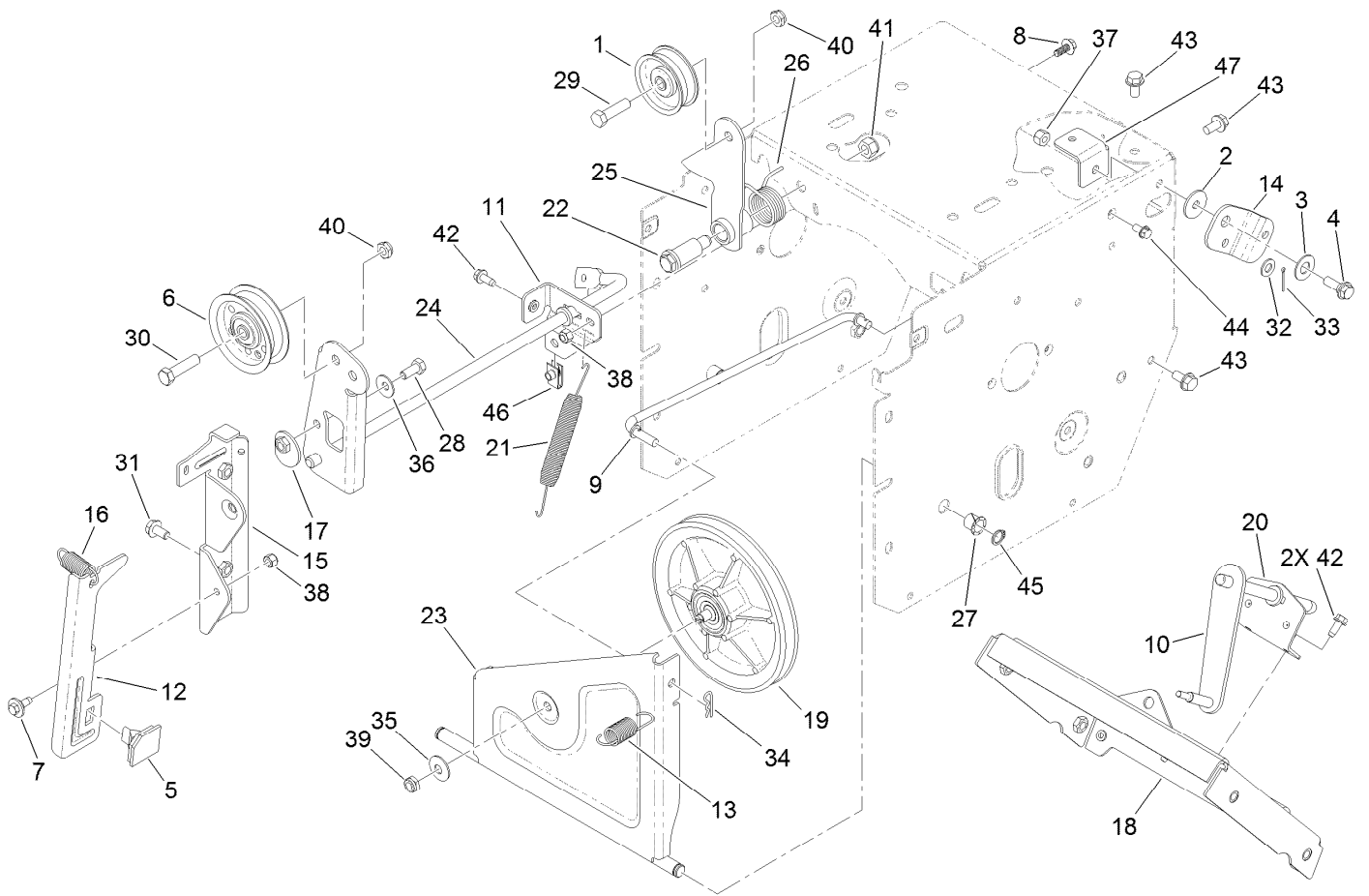
## Traction Frame Assembly

<i>Ref.</i>	<i>Part Number</i>	<i>Qty.</i>	<i>Description</i>
1	108-0022-01	1	Cover-Upper
2	106-7330-01	1	Pan-Bottom
3	106-7345-01	1	Cover-Lower
4	107-1013	2	Nut-Speed, U-Type
5	120-9832-01	1	Traction Frame ASM
6	32144-10	10	Screw-HWH
7	107069	7	Clip



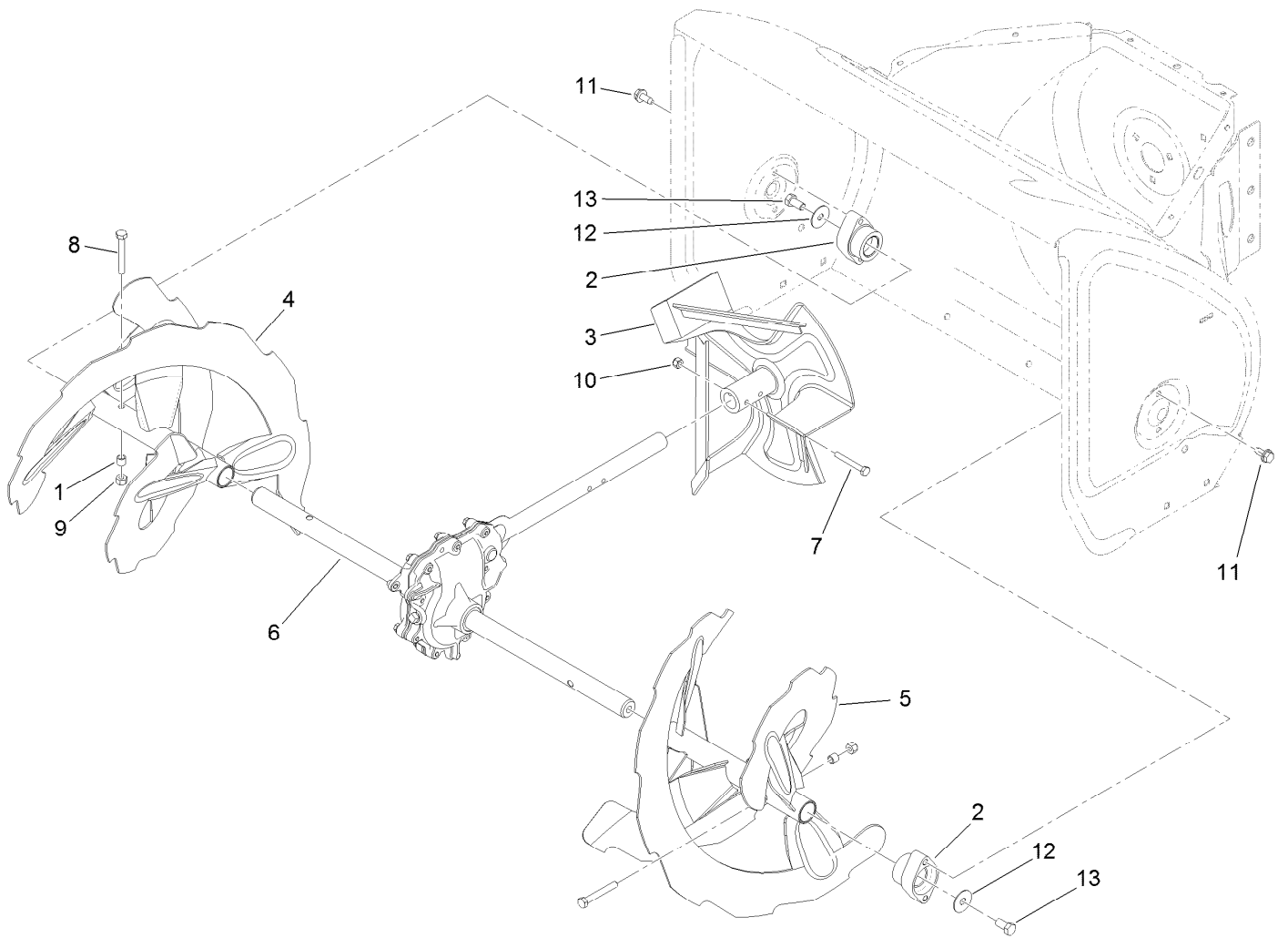
## Idler and Linkage Assembly

<i>Ref.</i>	<i>Part Number</i>	<i>Qty.</i>	<i>Description</i>	<i>Ref.</i>	<i>Part Number</i>	<i>Qty.</i>	<i>Description</i>
1	3-4244	1	Pulley-Idler	22	108-5056	1	Bolt-Shoulder
2	5-4460	1	Washer-Pivot	23	108-7307	1	Bracket-Wheel, Friction
3	25-5640	1	Washer	24	120-0144-03	1	Impeller Clutch ASM
4	27-0410	1	Screw-Shoulder	25	120-0148	1	Arm-Traction Idler ASM
5	66-8060	1	Pad-Brake	26	120-3060	1	Spring-Torsion
6	92-7104	1	Pulley-Idler	27	256-257	2	Bushing-Nyliner
7	92-9698	1	Screw-Shoulder	28	322-3	1	Screw-HH
8	99-6810	1	Screw-HH	29	323-29	1	Screw-HH
9	106-4467	1	Link-Control, Speed	30	323-8	1	Screw-HH
10	106-7268	1	Lever-Control, Traction	31	3234-7	2	Screw-HHF
11	120-9824	1	Bracket-Clutch, Impeller	32	3256-23	1	Washer-Flat
12	107-1000	1	Arm-Brake	33	3272-4	1	Pin-Cotter
13	107-1003	1	Spring-Extension	34	3290-307	1	Pin-Hair
14	107-1011	1	Bellcrank-Drive	35	3290-340	1	Washer-Belleville
15	107-1039	1	Bracket-Idler, Impeller	36	3290-456	1	Washer-Belleville
16	107-1045	1	Spring-Extension	37	3296-29	1	Nut-Lock, NI
17	107-1047	1	Nut	38	3296-42	2	Nut-Lock, NI
18	108-0026-01	1	Shift Plate ASM	39	3296-5	1	Nut-Lock
19	108-0031	1	Pulley-Traction	40	3296-59	2	Nut-Lock, NI
20	108-0036	1	Bracket-Rod, Shift	41	3296-76	1	Nut-Lock, NI
21	108-2976	1	Spring-Extension	42	32144-10	3	Screw-HWH



## Idler and Linkage Assembly (continued)

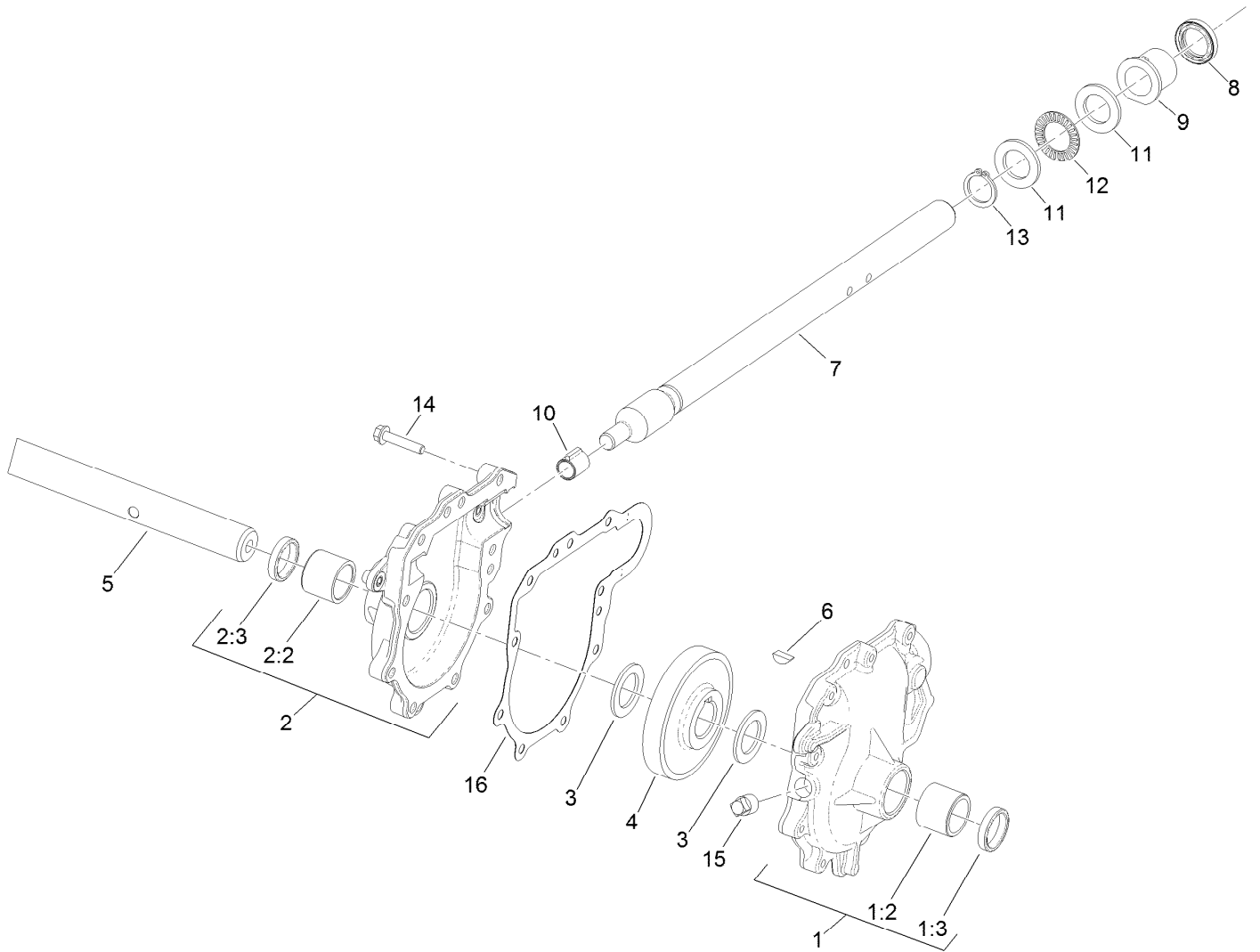
<i>Ref.</i>	<i>Part Number</i>	<i>Qty.</i>	<i>Description</i>	<i>Ref.</i>	<i>Part Number</i>	<i>Qty.</i>	<i>Description</i>
43	32144-14	6	Screw-HWHTF	46	107069	1	Clip
44	32144-4	1	Screw-HWH	47	125-1124	1	Bracket-Frame, LH
45	32151-61	2	Ring-Retaining				



## Auger and Impeller Assembly

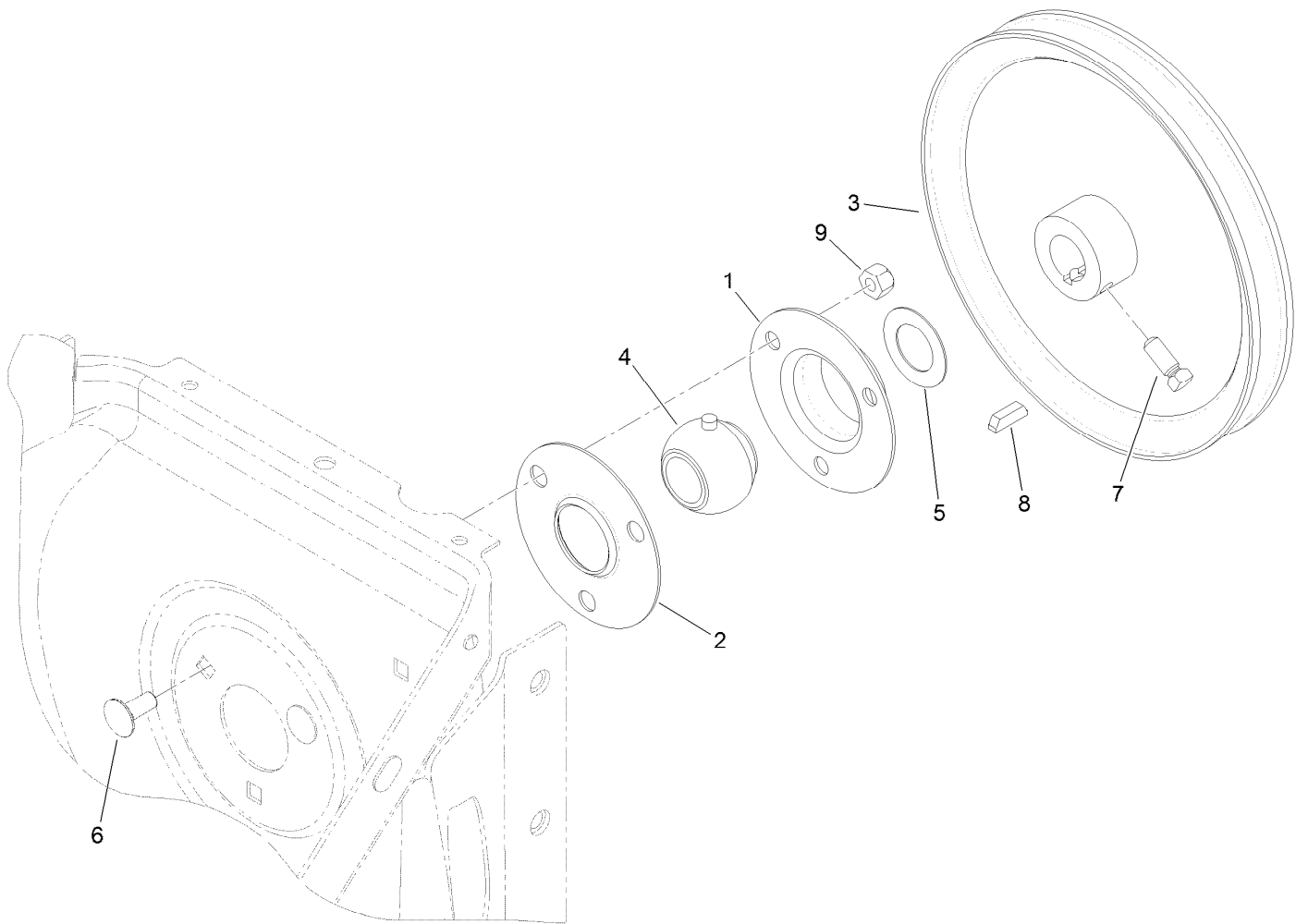
Ref.	Part Number	Qty.	Description
1	1-633545	2	Spacer
2	106-4570	2	Bearing-Auger
3	106-4576-03	1	Impeller ASM
4	106-7289-03	1	RH Auger ASM
5	106-7299-03	1	LH Auger ASM
6	125-7925	1	26 Inch Auger Gearcase ASM
7	321-11	2	Screw-HH
8	322-11	2	Screw-HH
9	3296-29	2	Nut-Lock, NI
10	3296-42	2	Nut-Lock, NI
11	32144-70	4	Screw-HWHTF
12	3-0750	2	Washer
13	323-4	2	Screw-HH





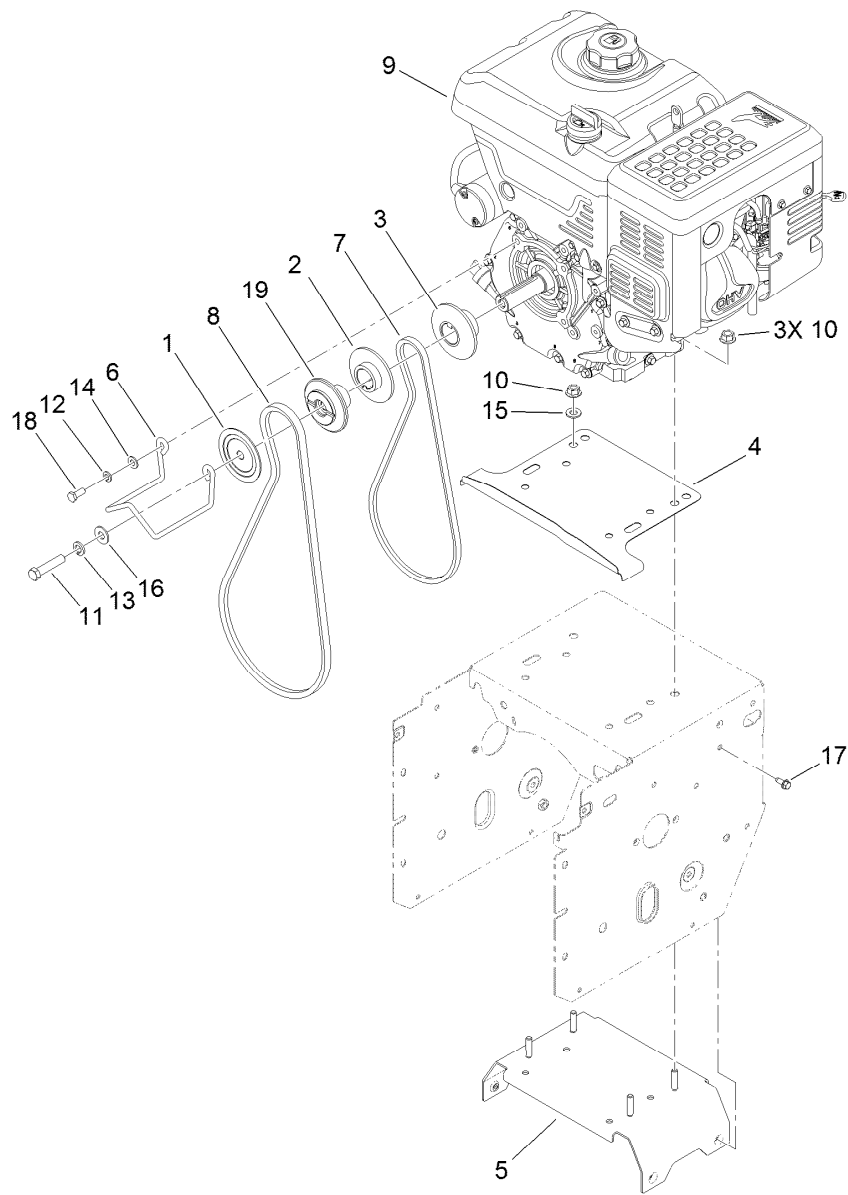
## Gear Case Assembly No. 125-7925

<i>Ref.</i>	<i>Part Number</i>	<i>Qty.</i>	<i>Description</i>	<i>Ref.</i>	<i>Part Number</i>	<i>Qty.</i>	<i>Description</i>
1	108-7325	1	LH Auger Gearcase ASM	7	66-7811	1	Shaft-Impeller
1:2	112-6635	1	Bushing-Sleeve	8	253-149	1	Seal-Oil
1:3	7-0045	1	Seal-Oil	9	37-6560	1	Bushing-Input
2	108-7327	1	RH Auger Gearcase ASM	10	62-1150	1	Bushing-Worm
2:2	112-6635	1	Bushing-Sleeve	11	252-78	2	Washer-Thrust
2:3	7-0045	1	Seal-Oil	12	252-76	1	Bearing-Thrust
3	252-71	2	Washer-Thrust	13	32151-33	1	Ring-Retaining, Ext
4	62-0120	1	Gear-Helical	14	108-4862	9	Screw-HWHTF
5	106-4579	1	Shaft-Auger	15	121-6832	1	Plug-Pipe, SQH
6	3257-10	1	Key-Woodruff	16	108-7330	1	Gasket-Gearcase, Auger



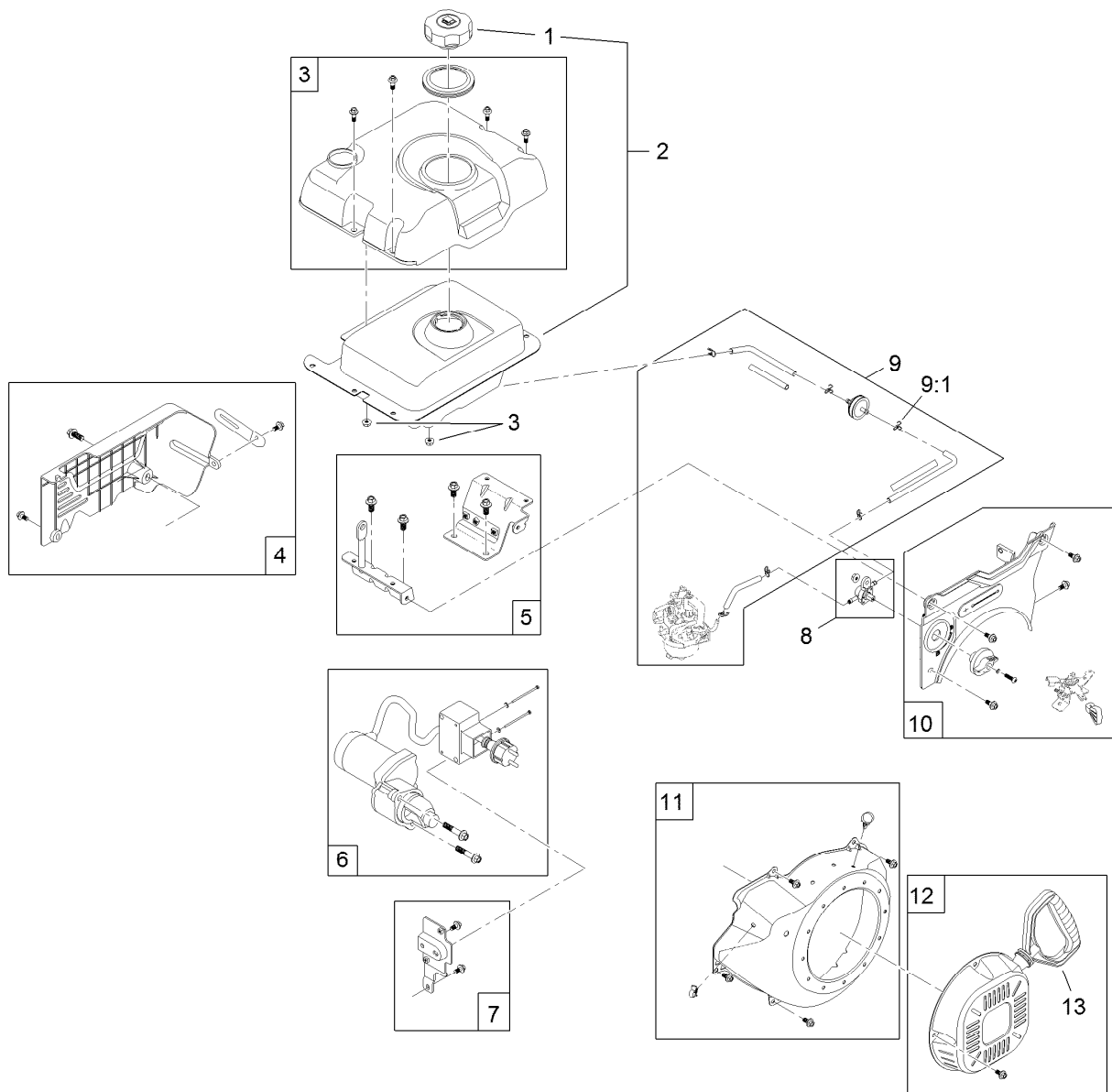
## Impeller Assembly

<i>Ref.</i>	<i>Part Number</i>	<i>Qty.</i>	<i>Description</i>
1	26-6110	1	Flange-Cup, Bearing
2	26-6120	1	Flange-Cup, Bearing
3	62-1300	1	Pulley-Impeller
4	63-3450	1	Bearing-Ball
5	110-6767	1	Washer-Thrust
6	3230-23	3	Screw-CARR
7	1-803050	2	Screw-Set
8	3257-23	1	Key-Woodruff
9	3296-29	3	Nut-Lock, NI



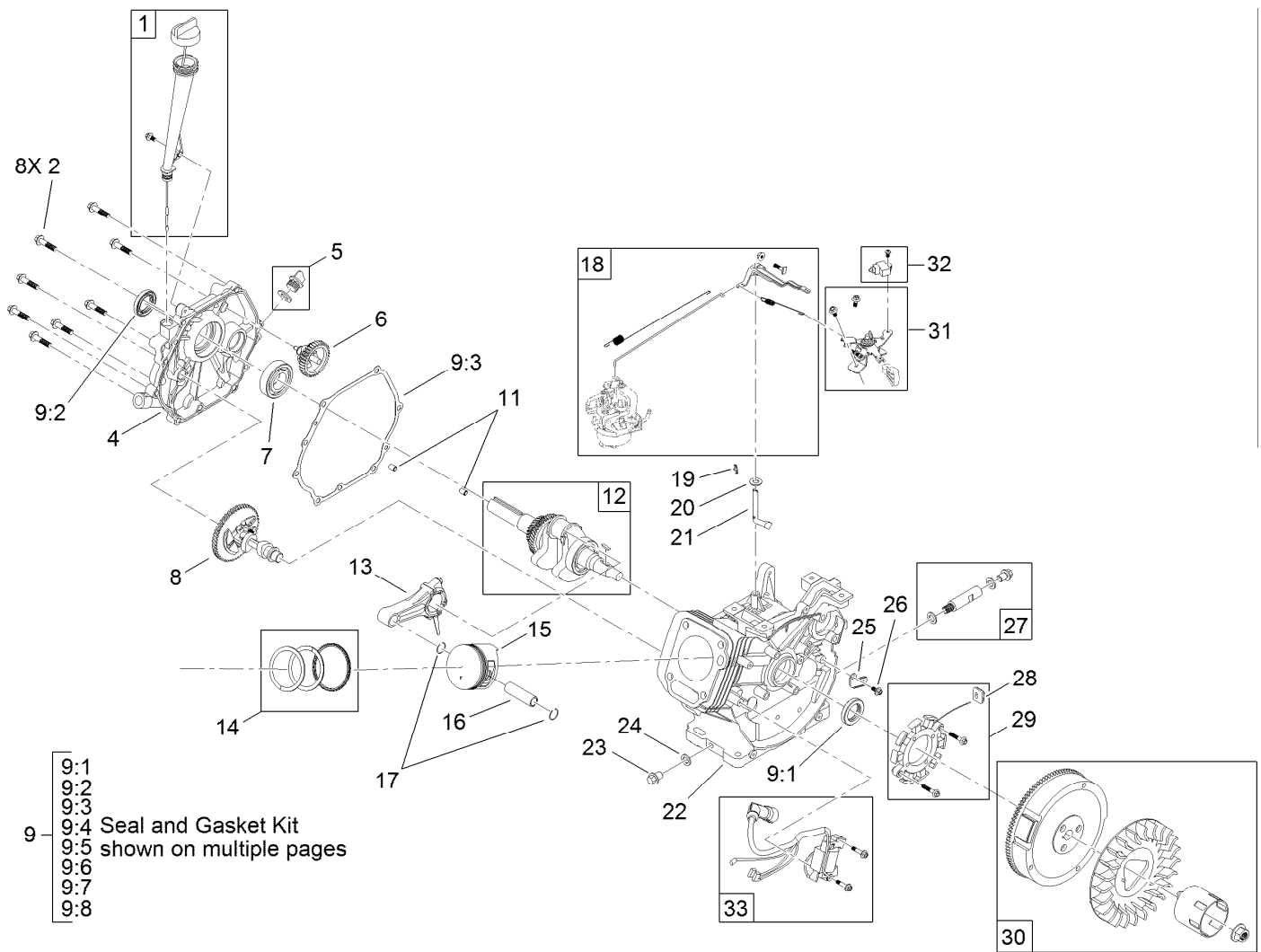
## Engine Assembly

<i>Ref.</i>	<i>Part Number</i>	<i>Qty.</i>	<i>Description</i>	<i>Ref.</i>	<i>Part Number</i>	<i>Qty.</i>	<i>Description</i>
1	62-0940	1	Sheave-Half, Impeller	11	3212-8	1	Screw-HH
2	121-6603	1	Pulley-Engine, Traction	12	3253-4	2	Washer-Lock
3	106-7334	1	Sheave-Half, Traction	13	3253-6	1	Washer-Lock
4	117-6022-01	1	Shield-Drive	14	3256-23	2	Washer-Flat
5	119-1560	1	Frame Brace ASM	15	3256-24	1	Washer-Flat
6	119-1562	1	Guide-Belt	16	3256-4	1	Washer-Flat
7	119-1564	1	Belt-V	17	32144-10	4	Screw-HWH
8	125-1145	1	Belt-V	18	33114-020	2	Screw-HH
9	120-4424	1	Engine-Lc175Fds-1	19	121-6602	1	Pulley-Engine, Impeller
10	120-3067	4	Nut-Flange				



## Fuel Tank and Recoil Engine Assembly

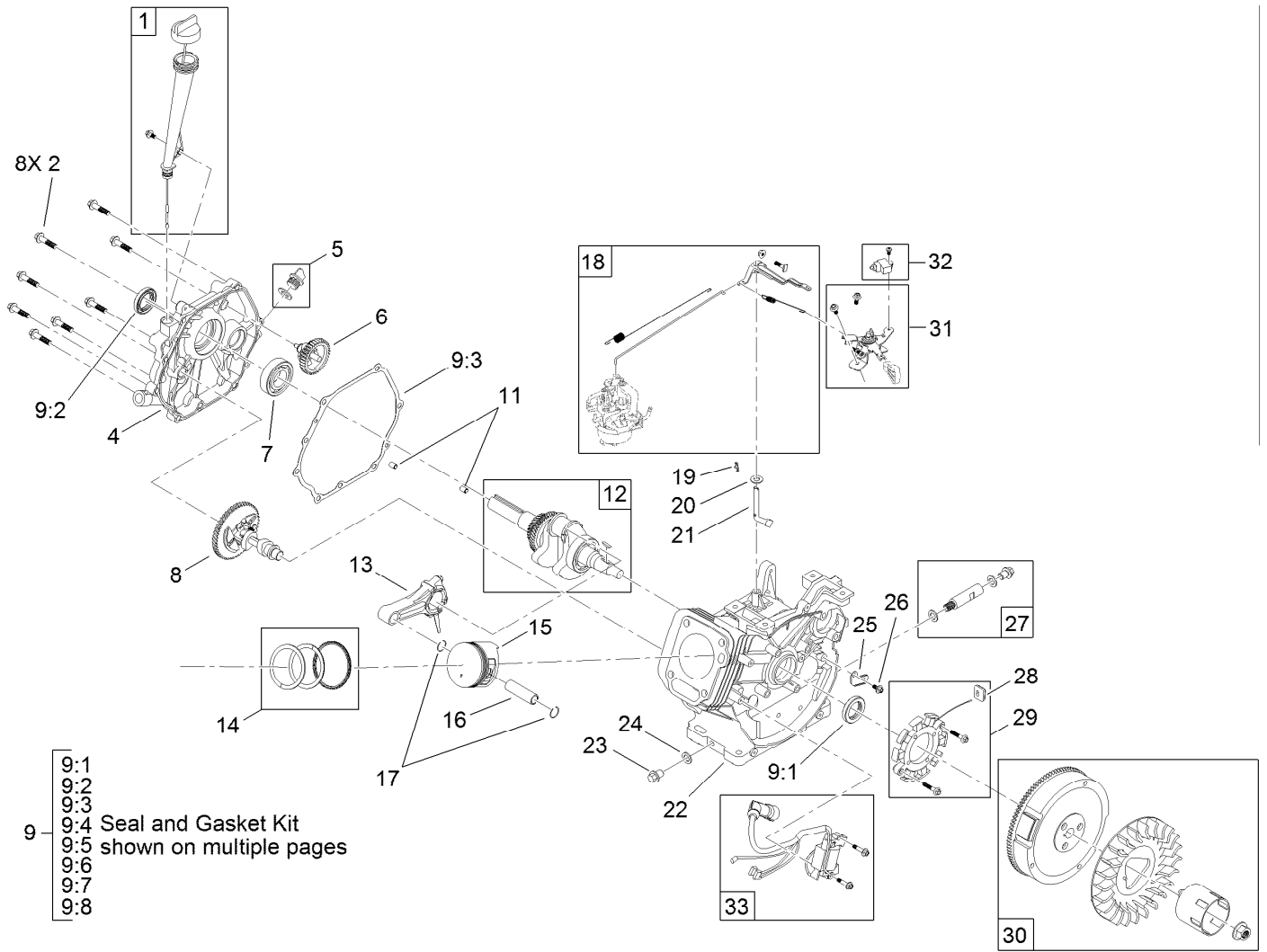
Ref.	Part Number	Qty.	Description
1	121-0257	1	Cap-Fuel
2	121-0414	1	Fuel Tank And Cap Kit
3	121-0349	1	Fuel Tank Cover Kit
4	121-0347	1	Rear Panel And Hardware Kit
5	121-0351	1	Tank Mount Bracket Kit
6	121-0446	1	Starter Kit
7	121-4103	1	Switch Box Bracket Kit
8	121-4109	1	Fuel Shut-Off Valve Kit
9	121-0353	1	Complete Fuel Line Kit
9:1	121-0087	6	Clamp-Hose
10	121-4105	1	Front Panel Kit
11	121-0274	1	Recoil Shroud Kit
12	121-0342	1	Recoil Kit
13	121-0287	1	Handle-Recoil



## Crankcase Engine Assembly

Ref.	Part Number	Qty.	Description	Ref.	Part Number	Qty.	Description
1	121-0361	1	Oil Fill Kit	12	121-0241	1	Crankshaft ASM
2	121-0299	8	Screw-HHF	13	121-0240	1	Connecting Rod ASM
4	121-0227	1	Cover-Crankcase	14	121-0239	1	Set-Ring, Piston
5	121-0223	1	Sump Plug ASM	15	121-0236	1	Piston
6	121-0265	1	Governor Gear ASM	16	121-0237	1	Pin-Piston
7	121-0315	1	Bearing-Main	17	121-0313	2	Clip-Pin, Piston
8	121-0242	1	Camshaft ASM	18	121-0352	1	Complete Governor Kit
9	121-0356	1	Seal And Gasket Kit	19	120-4256	1	Pin-Hair
9:1		1	Seal-Oil ●	20	121-0311	1	Washer-Plain
9:2		1	Seal-Oil ●	21	121-0263	1	Shaft-Governor
9:3	121-0228	1	Gasket-Cover, Crankcase	22	121-0439	1	Crankcase
9:4	121-0232	1	Gasket-Head, Cylinder	23	121-0222	1	Screw-HHF
9:5	121-0234	1	Gasket-Cover, Valve	24	121-0310	1	Washer-Plain
9:6		1	Gasket-Exhaust ●	25	121-0278	1	Clamp
9:7		1	Gasket-Carburetor ●	26	121-0118	1	Screw-HHF
9:8		1	Gasket-Carburetor ●	27	121-0341	1	Drain Plug Kit
11	121-0314	2	Pin-Dowel	28	121-0325	1	Grommet-Rubber

● Not serviced separately

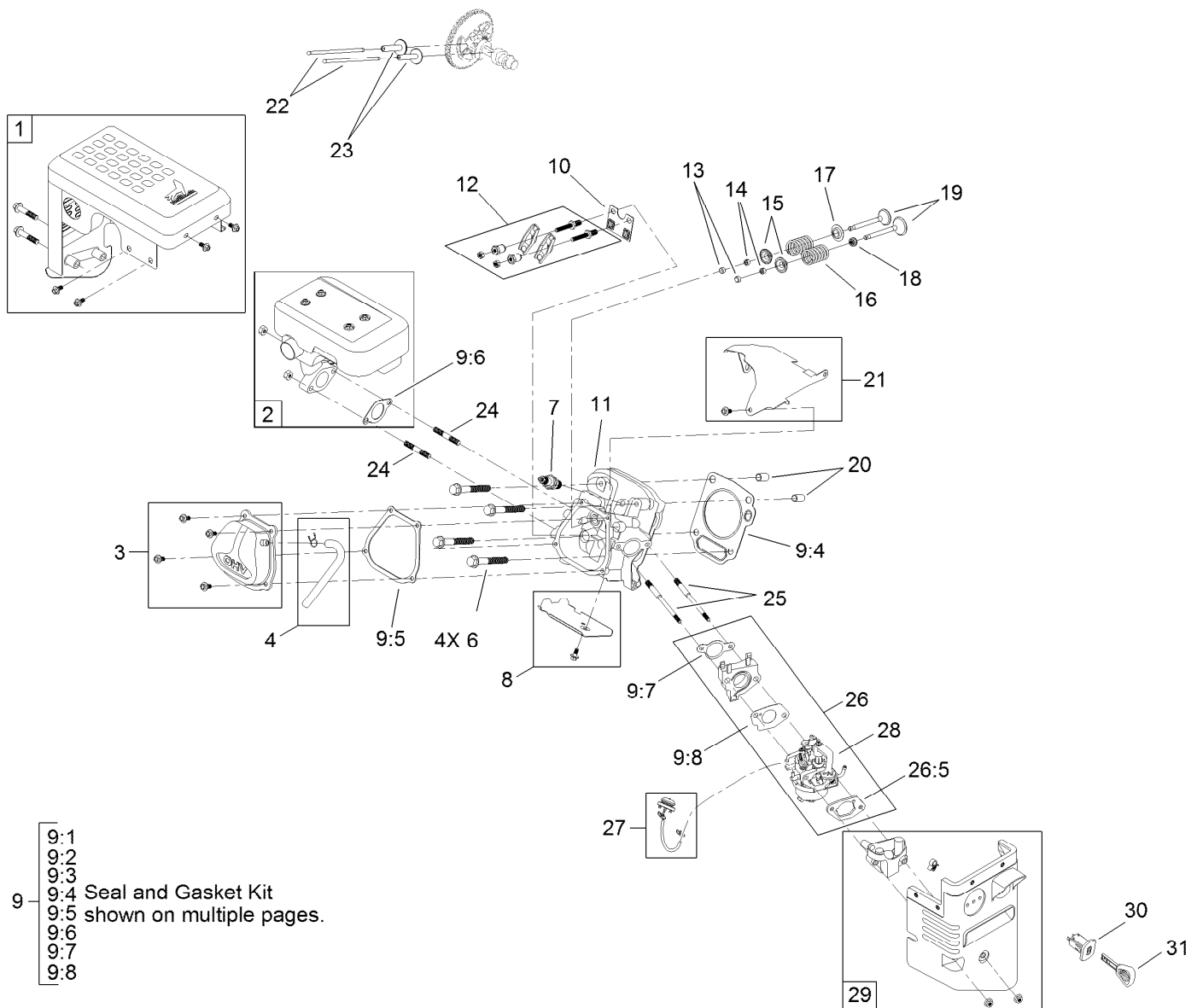


- 9:1
- 9:2
- 9:3
- 9:4 Seal and Gasket Kit
- 9:5 shown on multiple pages
- 9:6
- 9:7
- 9:8

## Crankcase Engine Assembly (continued)

Ref.	Part Number	Qty.	Description	Ref.	Part Number	Qty.	Description
29	121-0362	1	Stator Kit	32	121-4106	1	Kill Switch Kit
30	121-0354	1	Fan And Flywheel Kit	33	121-0334	1	Ignition Module Kit
31	121-4107	1	Throttle Control Kit				

● Not serviced separately

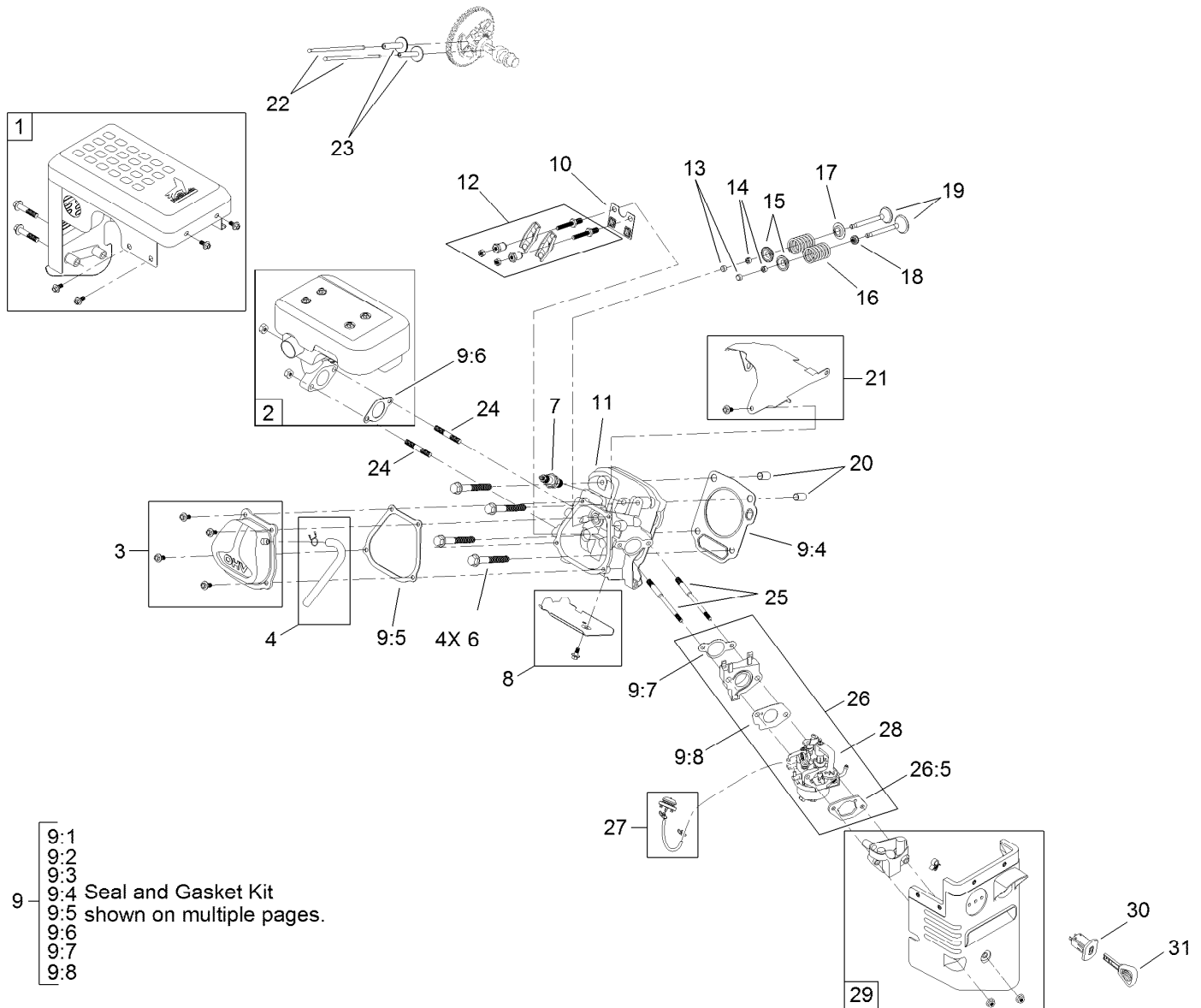


- 9:1
- 9:2
- 9:3
- 9:4 Seal and Gasket Kit
- 9:5 shown on multiple pages.
- 9:6
- 9:7
- 9:8

## Muffler, Cylinder Head and Carburetor Engine Assembly

Ref.	Part Number	Qty.	Description	Ref.	Part Number	Qty.	Description
1	121-4101	1	Muffler Shield Kit	11	121-0230	1	Head-Cylinder
2	121-4100	1	Muffer Kit	12	121-0245	1	Rocker Arm ASM
3	121-0343	1	Valve Cover Kit	13	121-0244	2	Rotator-Valve
4	121-0340	1	Breather Tube Kit	14	120-4307	2	Keeper-Valve
6	121-0302	4	Screw-HHF	15	120-4306	2	Retainer-Spring, Valve
7	119-1901	1	Spark Plug	16	120-4305	2	Spring-Valve
8	121-0348	1	Lower Heat Shroud Kit	17	120-4303	1	Seat-Spring, Valve
9	121-0356	1	Seal And Gasket Kit	18	120-4304	1	Seal-Stem, Valve
9:1		1	Seal-Oil ●	19	121-0328	1	Valve Kit
9:2		1	Seal-Oil ●	20	120-4200	2	Pin-Dowel
9:3	121-0228	1	Gasket-Cover, Crankcase	21	121-4102	1	Upper Heat Shroud Kit
9:4	121-0232	1	Gasket-Head, Cylinder	22	121-0246	2	Rod-Push
9:5	121-0234	1	Gasket-Cover, Valve	23	120-4298	2	Lifter-Valve
9:6		1	Gasket-Exhaust ●	24	121-0304	2	Stud-Mount, Muffer
9:7		1	Gasket-Carburetor ●	25	121-0303	2	Stud-Mount, Carburetor
9:8		1	Gasket-Carburetor ●	26	121-0345	1	Complete Carb Service Kit
10	121-0247	1	Plate-Guide, Push Rod	26:5	121-0254	1	Gasket-Coated, Rubber

● Not serviced separately

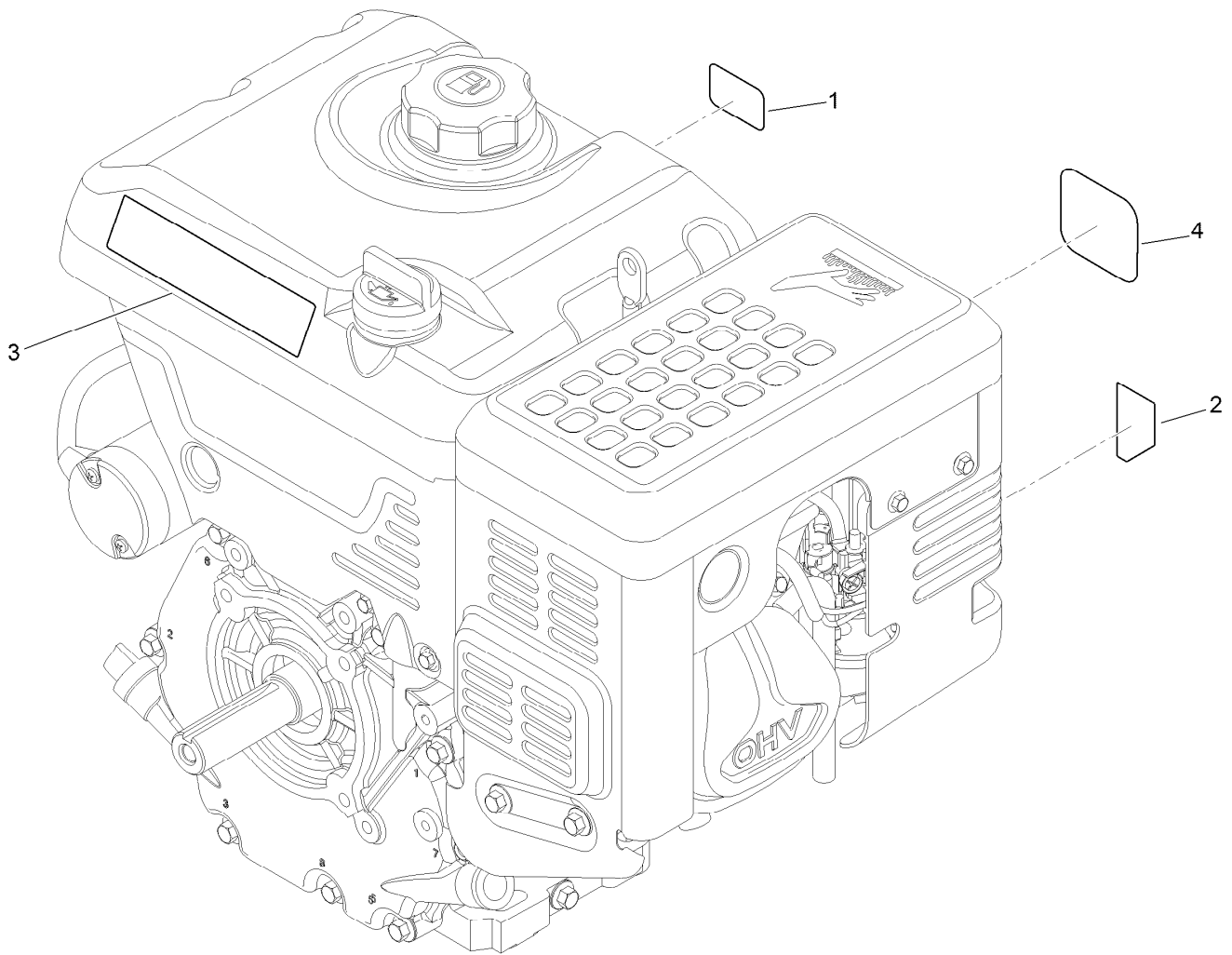


## Muffler, Cylinder Head and Carburetor Engine Assembly (continued)

Ref.	Part Number	Qty.	Description	Ref.	Part Number	Qty.	Description
27	121-0344	1	Primer Kit	29	121-0355	1	Heater Box Kit
28	121-0360	1	Carburetor Internal Repair Kit	30	121-0283	1	Switch-Key
				31	117-7728	1	Key

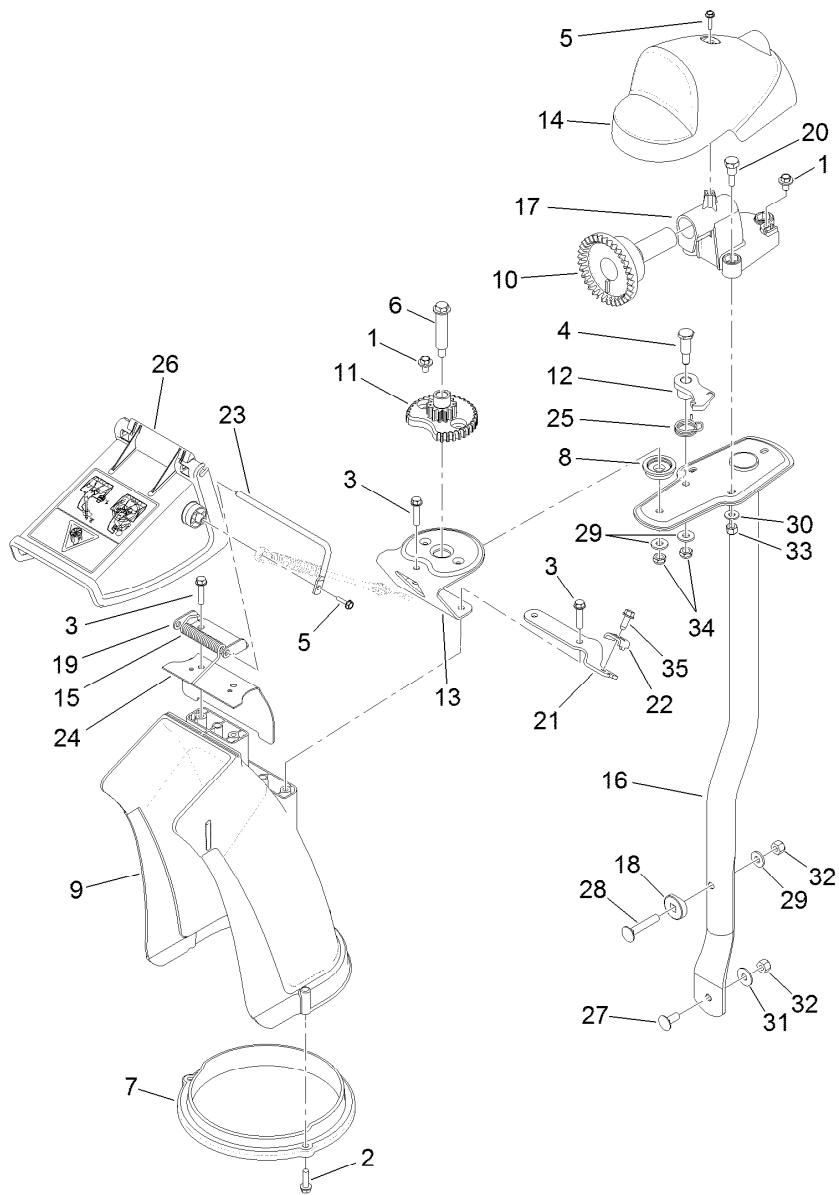
● Not serviced separately





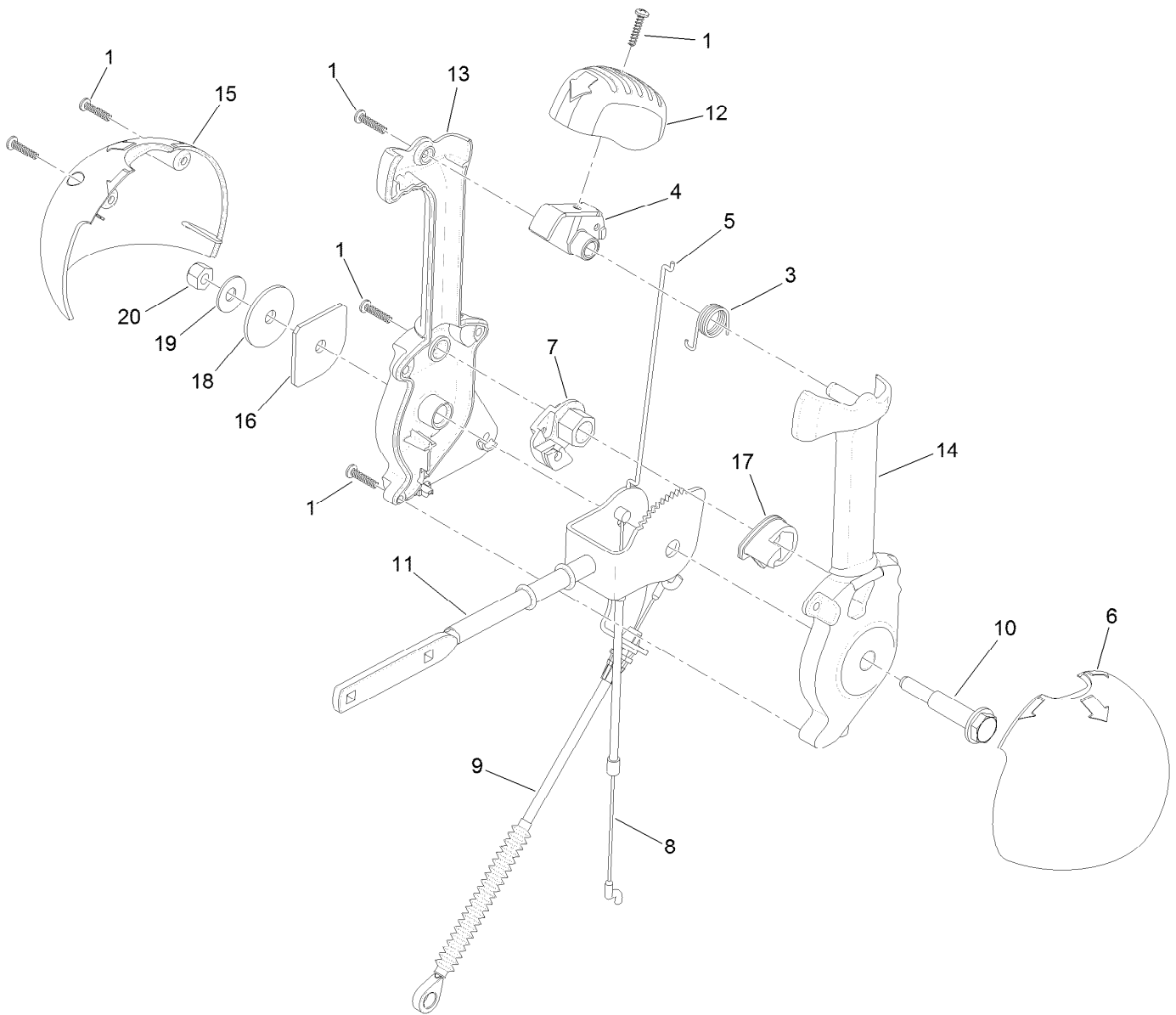
## Engine Decal Assembly

<i>Ref.</i>	<i>Part Number</i>	<i>Qty.</i>	<i>Description</i>
1	125-1102	1	Decal-Throttle
2	120-9805	1	Decal-Control, Engine
3	120-9807	1	Decal-Engine
4	120-9810	1	Decal-Recoil



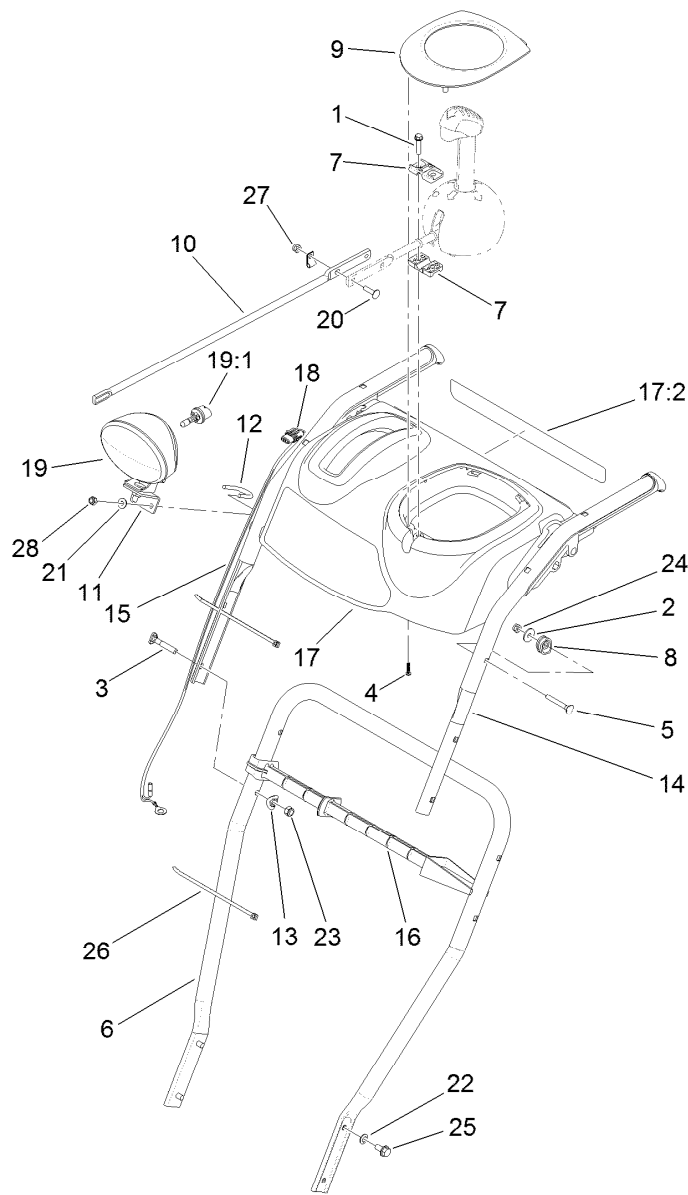
## Chute Assembly

Ref.	Part Number	Qty.	Description	Ref.	Part Number	Qty.	Description
1	46-6810	3	Screw And Washer ASM	19	106-7266	1	Bracket-Deflector
2	46-8091	3	Screw-HWH	20	106-7276	3	Screw-Shoulder
3	46-8092	5	Screw-Plastite	21	106-7296	1	Bracket-Cable, Clamp
4	63-2650	1	Screw-Shoulder	22	106-7297	1	Clamp-Cable
5	98-1375	2	Screw-HWH	23	107-1021	1	Rod-Deflector
6	100-9880	1	Bolt-Shoulder	24	108-5052	1	Seal-Chute
7	105-9991	1	Ring-Chute	25	108-7315	1	Spring-Torsion
8	106-4422	1	Spacer-Chute	26	112-6629	1	Deflector-Chute, Ce
9	106-4440	1	Chute-Discharge	27	3230-23	1	Screw-CARR
10	106-4471	1	Gear-Face	28	3230-5	1	Screw-CARR
11	106-4472	1	Gear-Chute	29	3256-2	3	Washer-Flat
12	106-4476	1	Latch-Chute	30	3256-22	3	Washer-Flat
13	106-4582-03	1	Bracket-Support, Chute	31	3290-456	1	Washer-Belleville
14	106-4585	1	Cover-Gear, Chute	32	3296-29	2	Nut-Lock, NI
15	106-4594	1	Spring-Torsion	33	3296-42	3	Nut-Lock, NI
16	106-7253-03	1	Tube-Support	34	3296-47	2	Nut-Lock, NI
17	106-7257	1	Mount-Gear, Face	35	32144-10	1	Screw-HWH
18	106-7260	1	Washer-Curved				



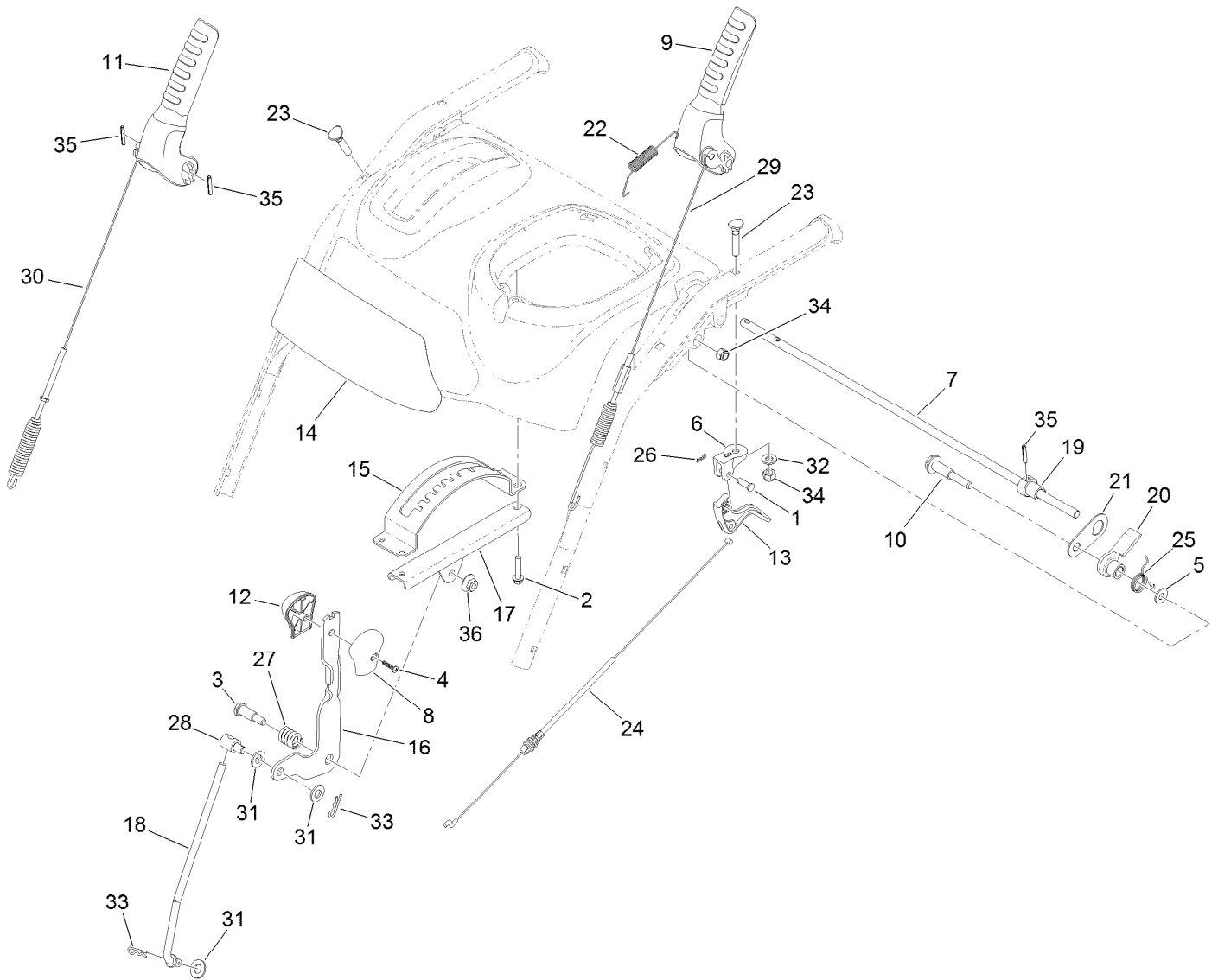
## Lever Chute Control Assembly

<i>Ref.</i>	<i>Part Number</i>	<i>Qty.</i>	<i>Description</i>	<i>Ref.</i>	<i>Part Number</i>	<i>Qty.</i>	<i>Description</i>
1	94-4496	6	Screw-PPH	12	106-7280	1	Cap-Lever
3	105-9982	1	Spring-Torsion	13	106-7281	1	Lever-Chute Control, RH
4	105-9984	1	Trigger-Latch	14	106-7282	1	Lever-Chute Control, LH
5	105-9985	1	Link-Latch	15	106-7292	1	Cover-Chute Lever, RH
6	105-9986	1	Cover-Chute Lever, LH	16	106-7295	1	Plate-Friction
7	105-9988	1	Lever-Cable, Deflector	17	106-7310	1	Pawl-Latch
8	125-1113	1	Cable-Release, Chute	18	107-3002	1	Washer-Nylon
9	105-9990	1	Cable-Control, Deflector	19	3290-456	1	Washer-Belleville
10	105-9995	1	Screw-Shoulder	20	3296-29	1	Nut-Lock, NI
11	106-4479	1	Rod-Control, Chute				



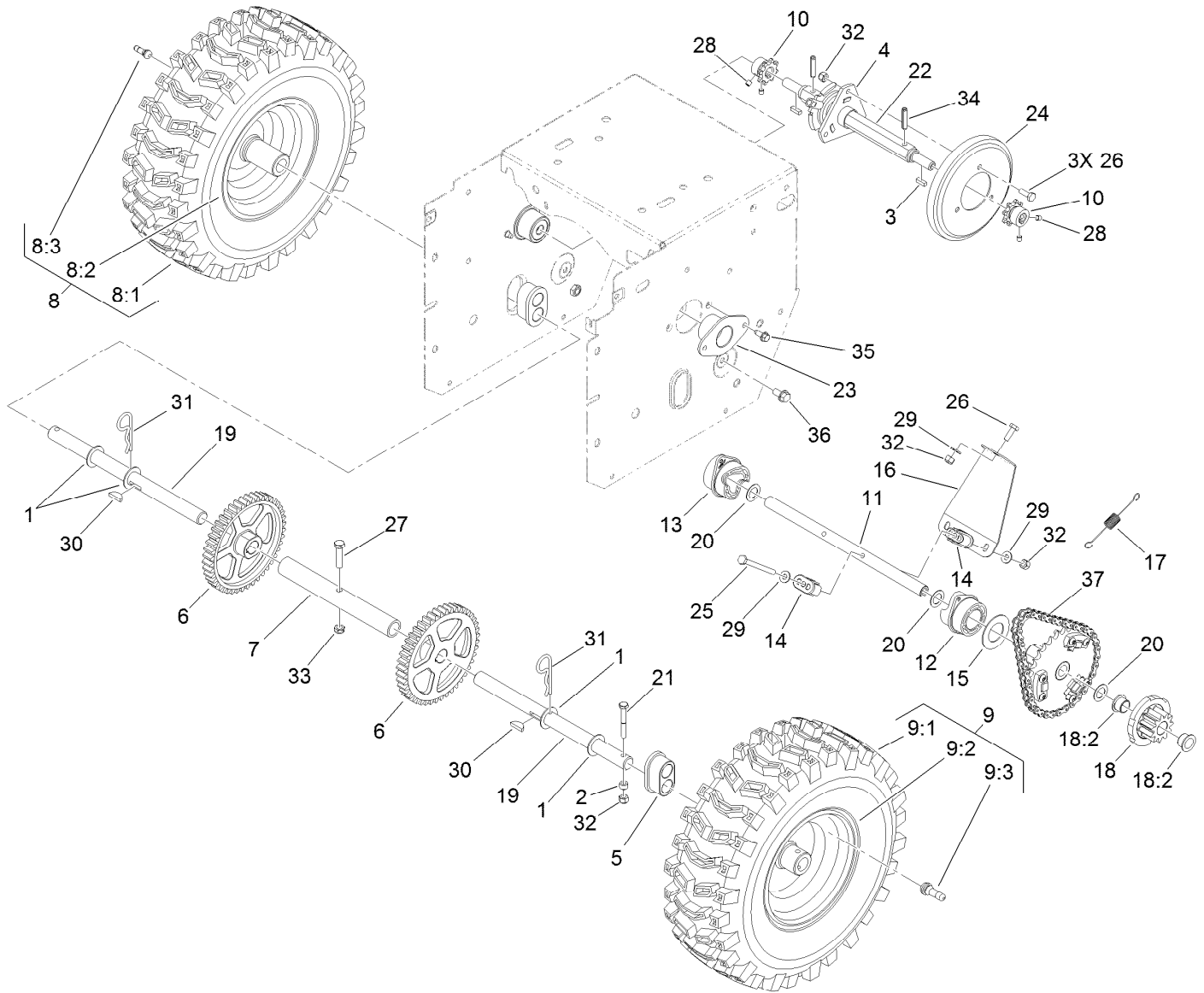
## Lower Handle and Headlamp Assembly

<i>Ref.</i>	<i>Part Number</i>	<i>Qty.</i>	<i>Description</i>	<i>Ref.</i>	<i>Part Number</i>	<i>Qty.</i>	<i>Description</i>
1	46-8092	2	Screw-Plastite	16	110-3408	1	Stick-Cleanout
2	87-6630	2	Washer-Plain	17	112-6633	1	Panel-Control
3	92-2260	4	Screw-Handle	17:2	112-6627	1	Decal-Back, Control Panel
4	94-4496	2	Screw-PPH	18	120-3062	1	Harness-Wire, Headlight
5	95-4453	2	Screw	19	120-3074	1	Headlamp ASM
6	105-9981-03	1	Handle-Lower	19:1	120-3075	1	Lamp-12 Volt
7	105-9987	2	Support-Rod	20	3229-30	2	Screw-CARR
8	106-4509	2	Clamp-Cable	21	3256-1	2	Washer-Flat
9	106-4586	1	Cover-Panel, Control	22	3290-475	4	Washer-Belleville
10	106-7283	1	Rod-Chute, Front	23	3296-72	4	Nut-Lock, NI
11	107-1020-03	1	Bracket-Light	24	3296-73	2	Nut-Lock, NI
12	107-3024	1	Clamp	25	32144-14	4	Screw-HWHTF
13	107-3844	4	Washer	26	614249	2	Tie-Cable
14	108-0037-03	1	Handle-Upper, LH	27	3296-73	2	Nut-Lock, NI
15	108-0038-03	1	Handle-Upper, RH	28	3296-73	2	Nut-Lock, NI



## Controls Assembly

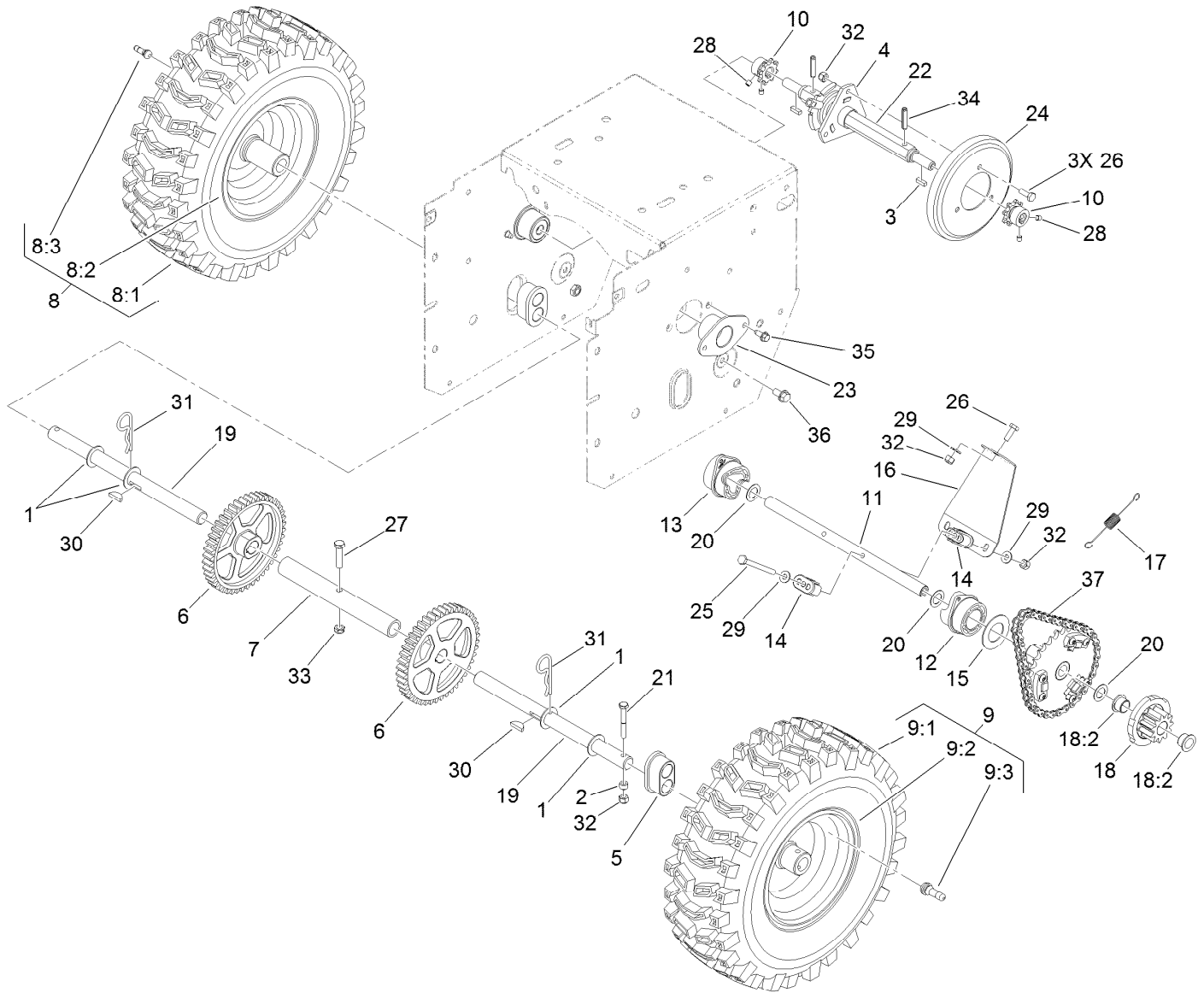
Ref.	Part Number	Qty.	Description	Ref.	Part Number	Qty.	Description
1	1-808265	2	Pin-Clevis	19	107-1043	1	Cam-Lockout
2	46-8092	4	Screw-Plastite	20	108-0023	1	Latch-Lockout
3	63-2650	1	Screw-Shoulder	21	107-3000	1	Link-Lockout
4	94-4496	1	Screw-PPH	22	107-3001	1	Spring-Tension
5	98-3499	1	Washer-Flat	23	107-3018	4	Screw-Handle
6	105-9980	2	Mount-Clutch, Lever	24	107-8896	2	Cable-Clutch
7	105-9996	1	Rod-Lockout	25	108-0024	1	Spring-Torsion
8	105-9999	1	Knob-Shift, LH	26	108-2992	2	Pin-Hair
9	106-4410	1	Lever-Traction	27	108-7313	1	Spring-Compression
10	106-4412	1	Screw-Shoulder	28	110-3446	1	Trunnion-Rod
11	106-4413	1	Lever-Auger	29	120-0132	1	Cable-Traction
12	106-4423	1	Knob-Shift, RH	30	120-3086	1	Cable-Auger
13	106-4505	2	Lever-Clutch	31	3256-24	3	Washer-Flat
14	121-6641	1	Decal-Control Panel	32	3256-70	4	Washer-Flat
15	106-7277-03	1	Guide-Selector, Speed	33	3290-307	2	Pin-Hair
16	106-7278-03	1	Selector-Speed	34	3296-72	5	Nut-Lock, NI
17	106-7279-03	1	Mount-Selector, Speed	35	32121-125	3	Pin-Spring
18	107-1005	1	Rod-Shift	36	32128-13	1	Nut-HHF



## Wheel Clutch Assembly

Ref.	Part Number	Qty.	Description	Ref.	Part Number	Qty.	Description
1	3-8664	4	Washer-Thrust	13	107-8888	1	Collar-Shift, RH
2	55-9370	2	Spacer-Blade, Rotor	14	107-8889	4	Guide-Collar
3	94-8850	2	Key-Square	15	107-8891	2	Washer-Thrust
4	106-4434	1	Trunnion-Hex	16	107-8892-03	1	Brace-Collar, Shift
5	106-4558	2	Bearing-Axle	17	107-8893	2	Spring-Extension
6	106-4572	2	Gear-Axle, 44 Tooth	18	107-8894	2	11T Gear ASM
7	106-7259	1	Tube-Axle	18:2	108-2973	2	Bushing-Flange
8		1	RH Wheel And Tire ASM ●	19	107-8898	2	Shaft-Axle
8:1	107-3042	1	Tire	20	108-0015	4	Washer-Flat
8:2	107-3043	1	Rim-Tire	21	108-2975	2	Screw-HH
8:3	232-27	1	Stem-Valve	22	108-7314	1	Shaft-Hex
9		1	LH Wheel And Tire ASM ●	23	108-7319	2	Retainer-Bearing
9:1	107-3042	1	Tire	24	119-1567	1	Wheel-Friction
9:2	107-3043	1	Rim-Tire	25	321-23	2	Screw-HH
9:3	232-27	1	Stem-Valve	26	321-4	4	Screw-HH
10	106-7317	2	Sprocket-8 Tooth	27	322-17	1	Screw-HH
11	107-8883	1	Shaft-Intermediate	28	3245-32	4	Screw-HSH
12	107-8887	1	Collar-Shift, LH	29	3256-22	5	Washer-Flat

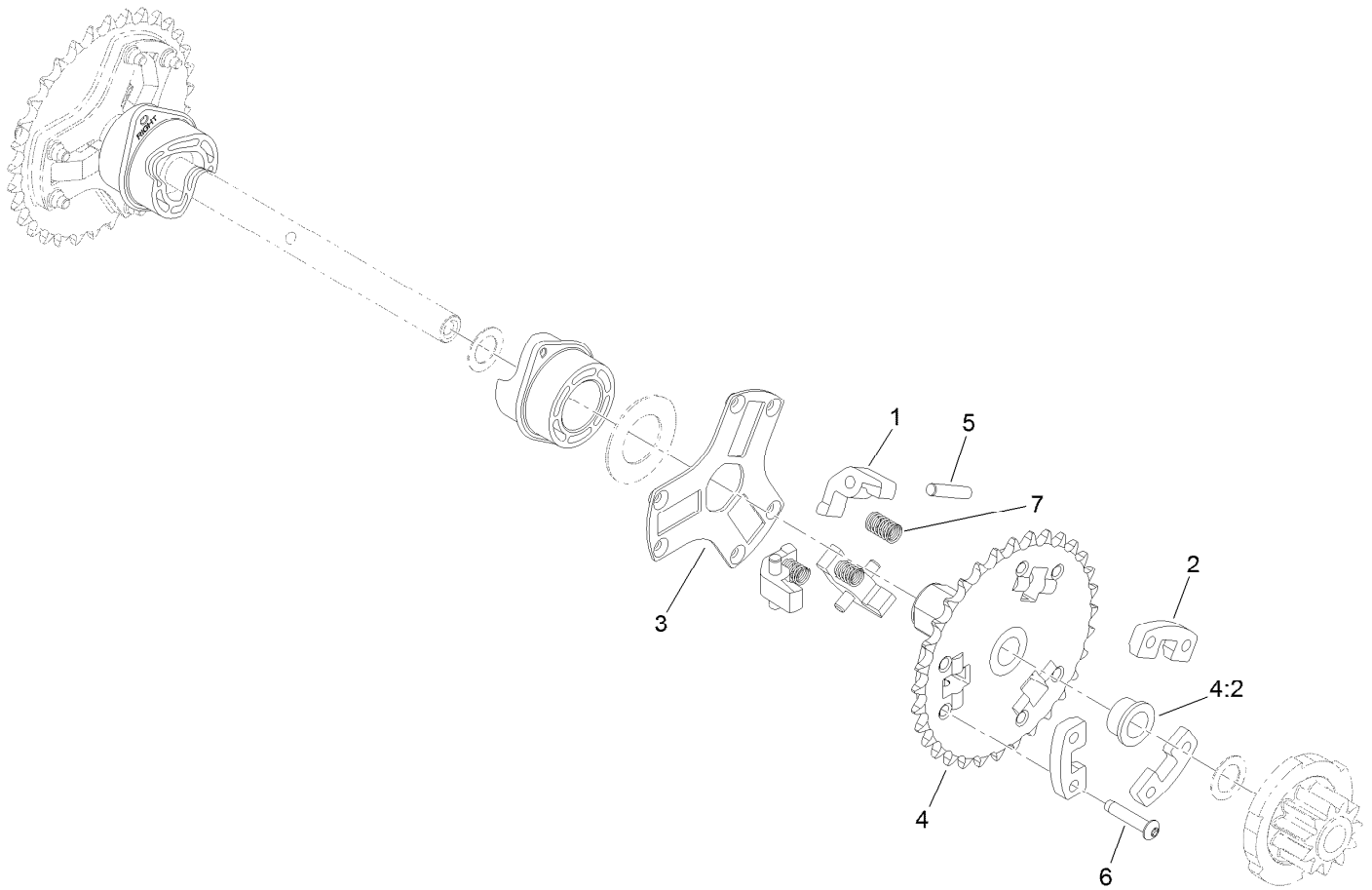
● Not serviced separately



## Wheel Clutch Assembly (continued)

Ref.	Part Number	Qty.	Description	Ref.	Part Number	Qty.	Description
30	3257-7	2	Key-Woodruff	35	32144-10	4	Screw-HWH
31	3290-343	2	Pin-Hair	36	32144-14	2	Screw-HWHTF
32	3296-42	8	Nut-Lock, NI	37	108-0016	2	Chain-Roller
33	3296-47	1	Nut-Lock, NI	37	2710-6	2	Link-Connecting
34	32121-9	2	Pin-Roll, Slotted				

● Not serviced separately



## Wheel Clutch Sprocket Assembly

<i>Ref.</i>	<i>Part Number</i>	<i>Qty.</i>	<i>Description</i>
1	107-8879	6	Pawl-Clutch
2	107-8880	6	Support-Pawl
3	107-8886	2	Retainer-Pin, Pawl
4	107-8895	2	32T Sprocket ASM
4:2	108-2973	2	Bushing-Flange
5	107-8899	6	Pin-Dowel
6	108-0035	12	Screw-Torx Button Head
7	107-8885	6	Spring-Compression



# Attachments and Accessories

## For 38820 Power Max Heavy Duty 926 OXE Snowthrower

<b>Product Name</b>	<b>Model/Part</b>
Tire Chain Kit .....	107-3813
Snow Cab .....	107-3814
Weight Kit .....	107-3815
26 inch Drift Breaker .....	107-3816
Heavy-Duty Skid Kit.....	125-1104
Non-Marking Skid Kit.....	38211
Toro 2-Stage Cover.....	490-7466
Plain 2-Stage Cover.....	490-7467

**Notes:**

**Notes:**



**Count on it.**