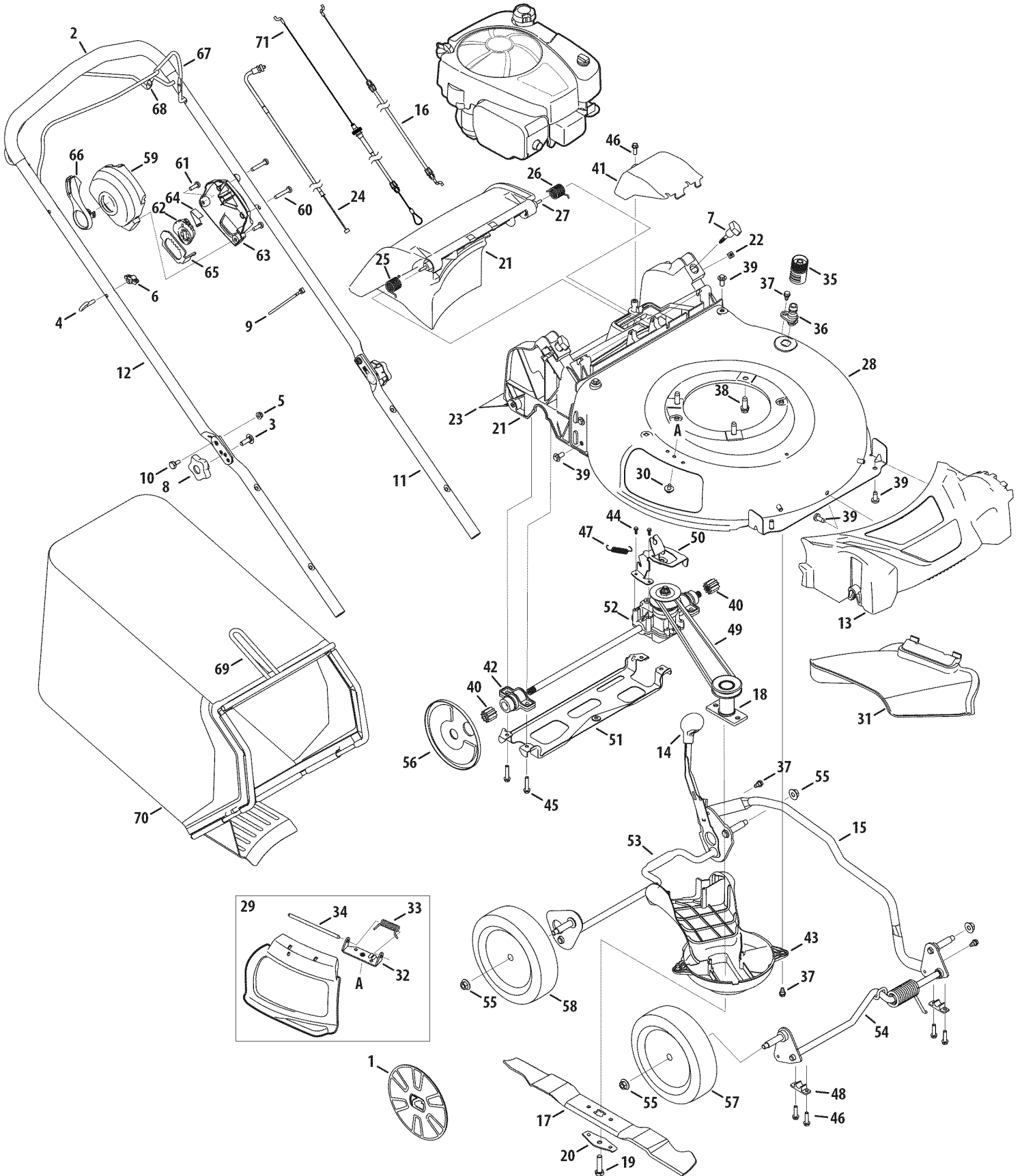


# PARTS LIST

Craftsman Mower — Model No. 247.374810



# PARTS LIST

## Craftsman Mower — Model No. 247.374810

| Ref. No. | Part No.        | Description                       | Ref. No. | Part No.        | Description                     |
|----------|-----------------|-----------------------------------|----------|-----------------|---------------------------------|
| 1        | 731-07173       | Hubcap                            | 38       | 710-04683A      | Screw, tt, 3/8-16 x 1.00        |
| 2        | 720-05001       | Foam Grip                         | 39       | 710-05425       | Screw, 5/16-14 x .750           |
| 3        | 710-04998       | Carriage Screw ,5/16-18           | 40       | 917-04852       | Spur Gear, 10T                  |
| 4        | 710-1205        | Rope Guide                        | 41       | 731-07799       | Transmission Cover              |
| 5        | 712-04064       | Nut, Flange Lock, 1/4-20          | 42       | 631-04501A      | Bearing Assembly                |
| 6        | 720-0279        | Knob                              | 43       | 631-04512C      | Engine Baffle                   |
| 7        | 720-04123A      | Wing Nut                          | 44       | 710-04374       | Screw, Hex Washer, .159 x .43   |
| 8        | 720-05028       | Star Knob                         | 45       | 710-04774       | Screw, 1/4-15 x 1.25            |
| 9        | 725-0157        | Cable Tie                         | 46       | 710-0895        | Screw, 1/4-15 x .750            |
| 10       | 738-04419A      | Shdr. Screw, .375 x .126 x 1/4-20 | 47       | 732-04826A      | Exten. Spring, 2.675            |
| 11       | 749-04608A-0637 | Lower Handle                      | 48       | 741-0492A       | Bush., Block                    |
| 12       | 749-05060-0637  | Upper Handle                      | 49       | 954-04282       | V-Belt                          |
| 13       | 731-09367       | Front Cover                       | 50       | 787-01868A-0637 | Transmission Bracket            |
| 14       | 720-04113       | Adjustment Knob                   | 51       | 787-01915A      | Rear Support Bracket            |
| 15       | 949-04841       | Tube, Link                        | 52       | 918-06000       | Transmission                    |
| 16       | 946-04808       | Control Cable                     | 53       | 911-04189       | Rear Hgt. Adjust./Axle Assembly |
| 17       | 942-0741A       | Mulching Blade                    | 54       | 911-04190A      | Front Axle Assembly             |
| 18       | 687-02220       | Blade Adapter                     | 55       | 712-04217       | Flange Lock Nut, 3/8-16         |
| 19       | 710-1044        | Screw, 3/8-24 x 1.50              | 56       | 731-07795       | Wheel Dust Cover                |
| 20       | 736-0524B       | Blade Bell Support                | 57       | 634-04665       | Front Wheel, 8 x2               |
| 21       | 631-04553A      | Rear Discharge Door Assembly      | 58       | 634-04714       | Rear Wheel, 8 x 2               |
| 22       | 712-04222       | Nut, Sq., 1/4-20                  | 59       | 631-04654       | Control Housing Assembly        |
| 23       | 731-07203       | Trail Shield                      | 60       | 710-05397       | Screw, 1/4-15 x 1.50            |
| 24       | 946-04810       | Speed Select Cable                | 61       | 710-06081       | Screw, 1/4-15 x .750            |
| 25       | 732-04673       | Torsion Spring - RH               | 62       | 731-08493       | Speed Cable Actuator            |
| 26       | 732-04674       | Torsion Spring - LH               | 63       | 731-08596       | Lower Control Housing           |
| 27       | 747-05183       | Pivot Rod                         | 64       | 732-04937       | Shift Lever Spring              |
| 28       | 787-02002A-0691 | 21" Deck                          | 65       | 787-02016       | Cable Adjustment Plate          |
| 29       | 987-02516       | Mulch Plug (Incl. 32-34)          | 66       | 731-09462       | Speed Select Lever              |
| 30       | 710-05073       | Screw                             | 67       | 747-05204A-0637 | Blade Control                   |
| 31       | 731-07486       | Side Discharge Chute              | 68       | 747-06138-4044  | Drive Control                   |
| 32       | 787-01779       | Chute Deflector Bracket           | 69       | 747-05362A-0637 | Grass Catcher Frame             |
| 33       | 732-1014C       | Torsion Spring                    | 70       | 964-05024       | Grass Bag                       |
| 34       | 747-0710A       | Hinge Pin                         | 71       | 946-04850       | Speed Adjustment Cable          |
| 35       | 921-04041       | Water Nozzle Adapter              | N/A      |                 | Engine (see breakdown)          |
| 36       | 731-07487       | Water Nozzle                      |          |                 | B&S Model No. 111P02-0005-F1    |
| 37       | 738-04278       | Scr., Shldr., 1/4-20 x .50        |          |                 |                                 |

# PARTS LIST

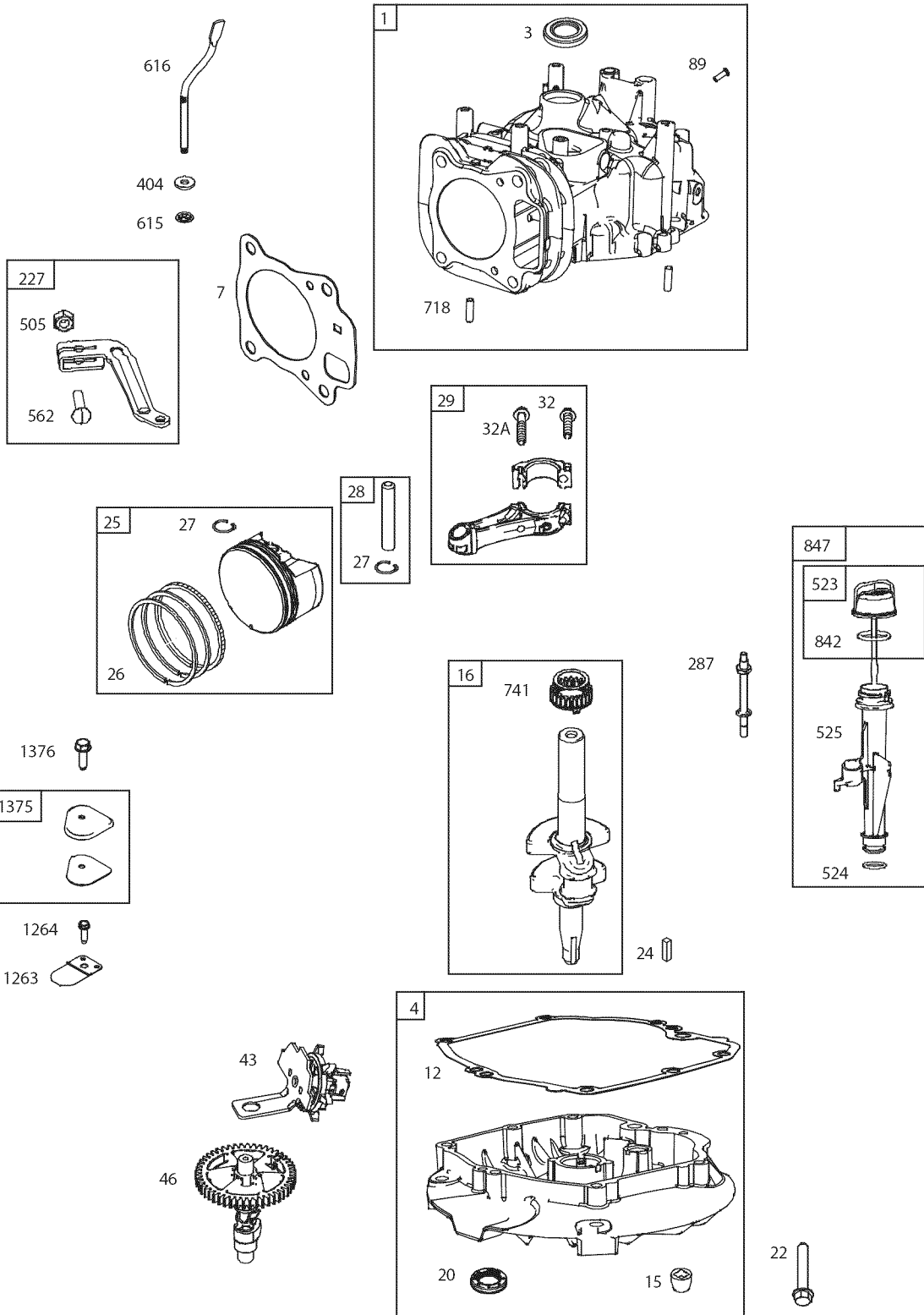
Craftsman Engine Model No. 111P02-0005-F1 For Craftsman Mower Model No. 247.374810

48 SHORT BLOCK

1058 OPERATOR'S MANUAL

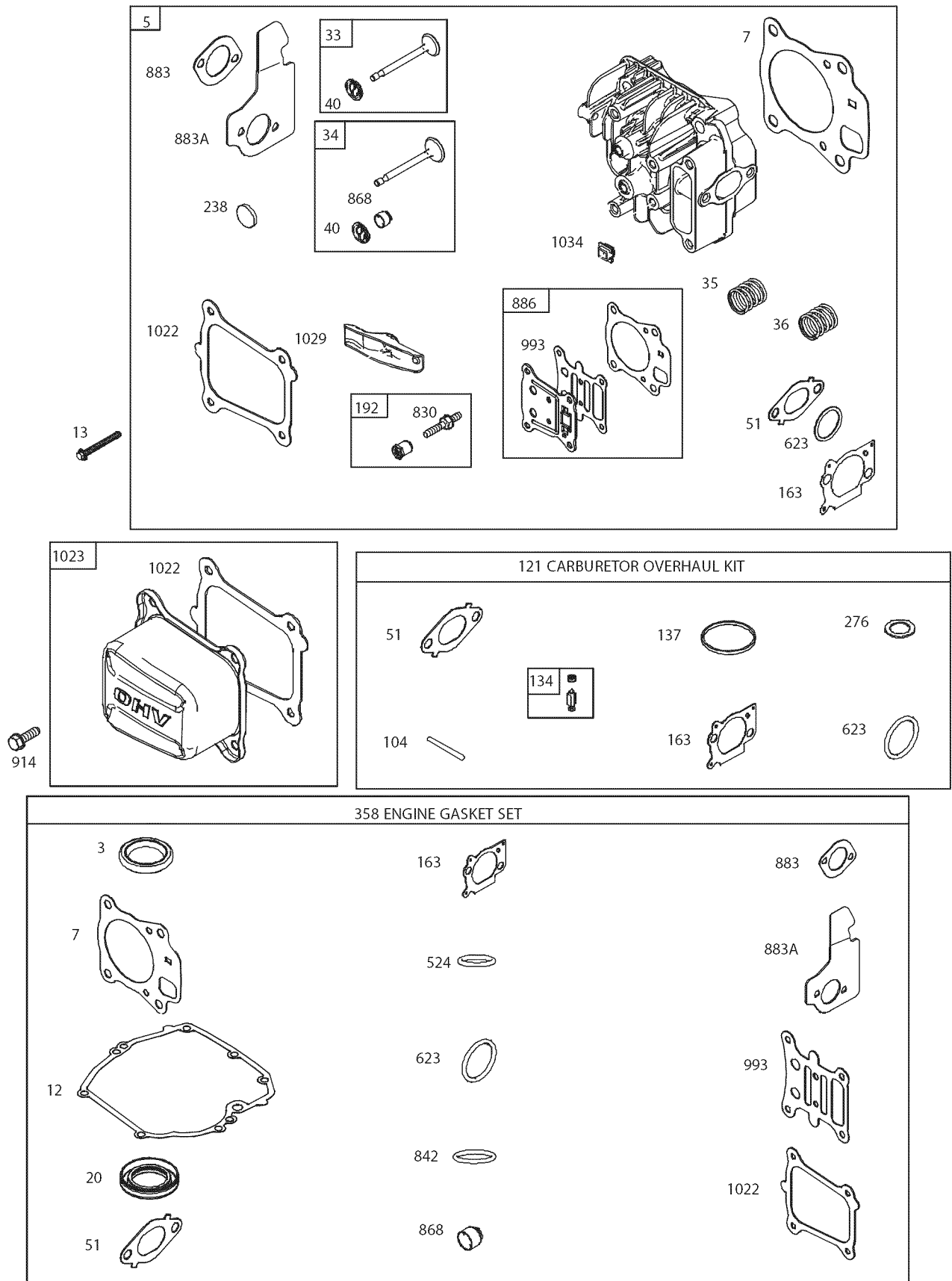
1329 REPLACEMENT ENGINE

1330 REPAIR MANUAL



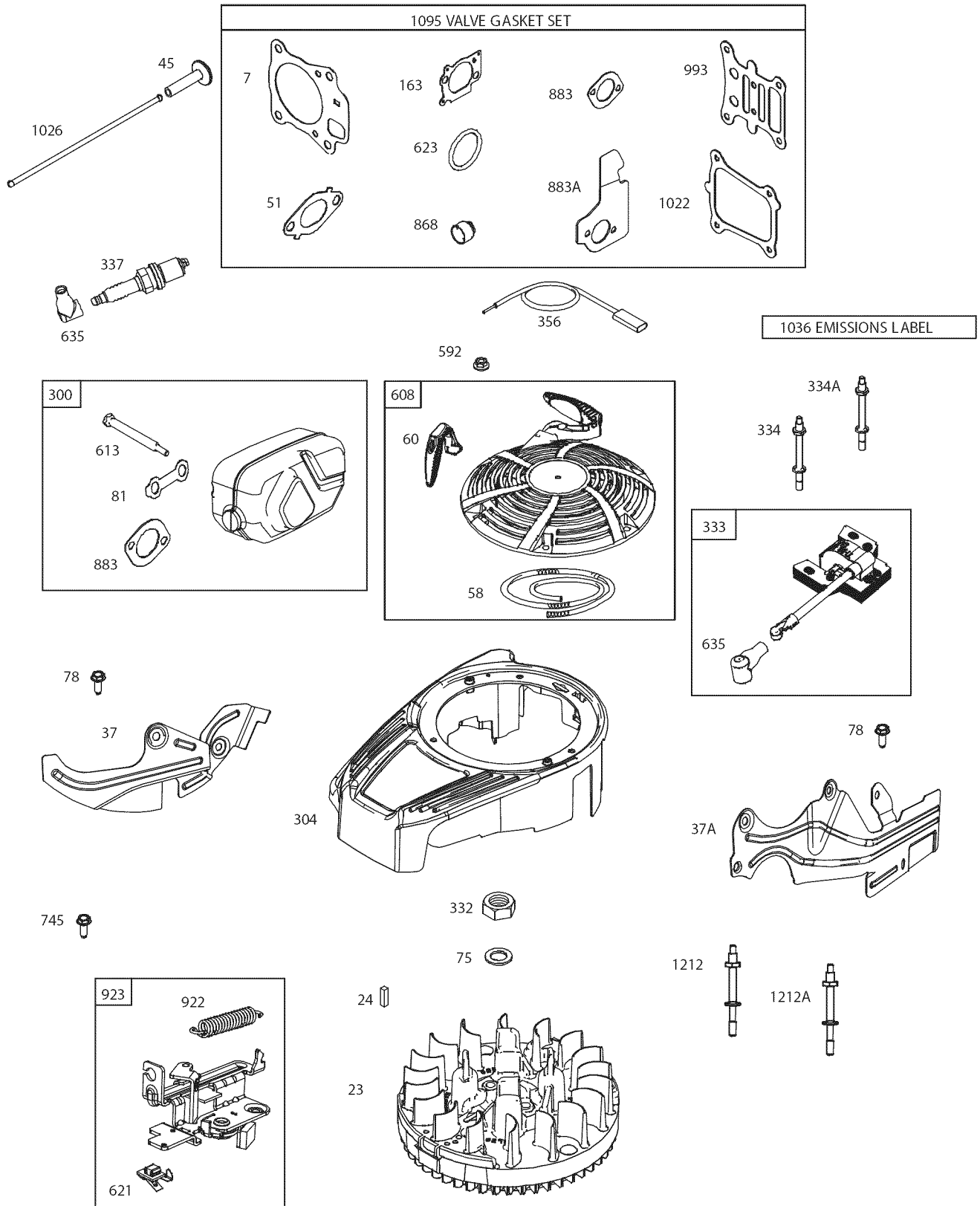
# PARTS LIST

Craftsman Engine Model No. 111P02-0005-F1 For Craftsman Mower Model No. 247.374810



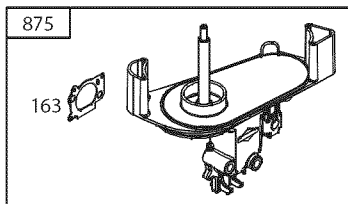
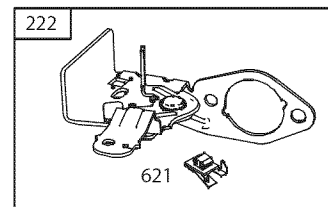
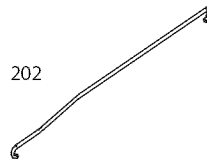
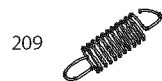
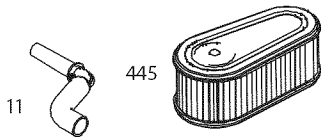
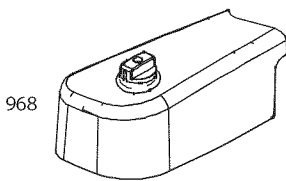
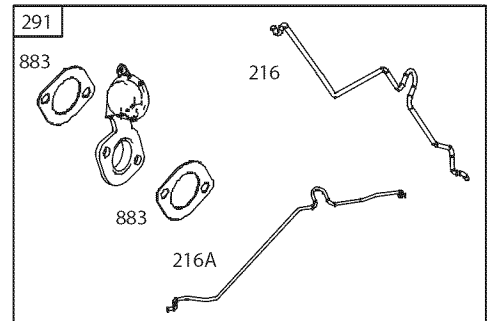
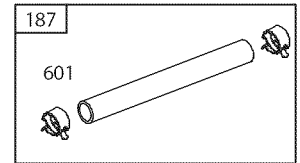
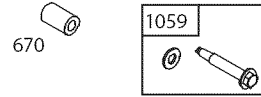
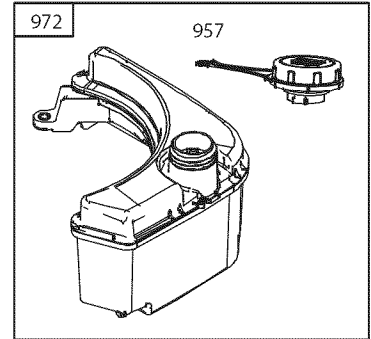
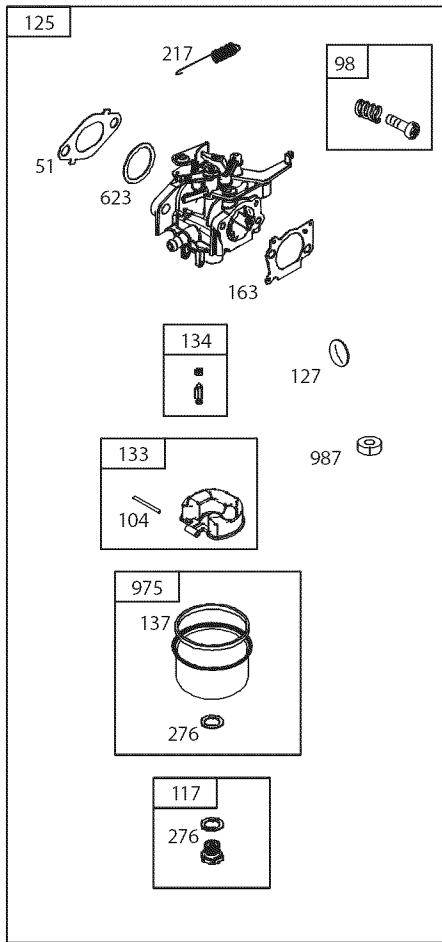
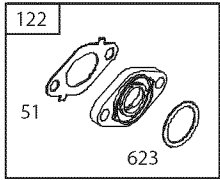
# PARTS LIST

Craftsman Engine Model No. 111P02-0005-F1 For Craftsman Mower Model No. 247.374810



# PARTS LIST

Craftsman Engine Model No. 111P02-0005-F1 For Craftsman Mower Model No. 247.374810



# PARTS LIST

Craftsman Engine Model No. 111P02-0005-F1 For Craftsman Mower Model No. 247.374810

| Ref. No. | Part No. | Description                          |
|----------|----------|--------------------------------------|
| 1        | 798948   | Cylinder Assembly                    |
| 3        | 299819s  | Seal-Oil (Magneto Side)              |
| 4        | 493279   | Sump-Engine                          |
| 5        | 796471   | Head-Cylinder                        |
| 7        | 796475   | Gasket-Cylinder Head                 |
| 11       | 796478   | Tube-Breather                        |
| 12       | 692232   | Gasket-Crankcase                     |
| 13       | 793451   | Screw (Cylinder Head)                |
| 15       | 691680   | Plug-Oil Drain                       |
| 16       | 796468   | Crankshaft                           |
| 20       | 399781s  | Seal-Oil (PTO Side)                  |
| 22       | 691092   | Screw (Crankcase Cover/Sump)         |
| 23       | 590420   | Flywheel                             |
| 24       | 222698s  | Key-Flywheel (Aluminum)              |
| 25       | 796643   | Piston Assembly (Standard)           |
|          | 796644   | Piston Assembly (.020" Oversize)     |
| 26       | 796645   | Ring Set (Standard)                  |
|          | 796646   | Ring Set (.020" Oversize)            |
| 27       | 691588   | Lock-Piston Pin                      |
| 28       | 298909   | Pin-Piston                           |
| 29       | 796470   | Rod-Connecting                       |
| 32       | 691664   | Screw (Connecting Rod) (1/4-20x1.09) |
| 32A      | 695759   | Screw (Connecting Rod) (1/4-20x1.50) |
| 33       | 499642   | Valve-Exhaust                        |
| 34       | 795443   | Valve-Intake                         |
| 35       | 691304   | Spring-Valve (Intake)                |
| 36       | 691304   | Spring-Valve (Exhaust)               |
| 37       | 796536   | Guard-Flywheel (Carburetor Side)     |
| 37A      | 799155   | Guard-Flywheel                       |
| 40       | 692194   | Retainer-Valve                       |
| 43       | 796650   | Slinger-Governor/Oil                 |
| 45       | 690977   | Tappet-Valve                         |
| 46       | 694039   | Camshaft                             |
| 48       | N/A      | Short Block (Not Available at        |
|          |          | This Printing                        |

| Ref. No. | Part No. | Description                        |
|----------|----------|------------------------------------|
| 51       | 796596   | Gasket-Intake                      |
| 58       | 697316   | Rope-Starter                       |
| 60       | 799716   | Grip-Starter Rope                  |
| 75       | 691736   | Washer (Flywheel)                  |
| 78       | 793480   | Screw (Flywheel Guard)             |
| 81       | 691740   | Lock-Muffler Screw                 |
| 89       | 692348   | Plug (Cylinder)                    |
| 98       | 797156   | Kit-Idle Speed                     |
| 104      | 797622   | Pin-Float Hinge                    |
| 117      | 798661   | Jet-Main (Standard)                |
| 121      | 799235   | Kit-Carburetor Overhaul            |
| 122      | 796595   | Spacer-Carburetor                  |
| 125      | 591137   | Carburetor                         |
| 127      | 694468   | Plug-Welch                         |
| 133      | 797626   | Float-Carburetor                   |
| 134      | 799177   | Kit-Needle/Seat                    |
| 137      | 797625   | Gasket-Float Bowl                  |
| 163      | 691894   | Gasket-Air Cleaner                 |
| 187      | 791766   | Line-Fuel (Cut to Required Length) |
| 190      | 793479   | Screw (Fuel Tank)                  |
| 192      | 796631   | Adjuster-Rocker Arm                |
| 202      | 796657   | Link-Mechanical Governor           |
| 209      | 796484   | Spring-Governor (Metallic Gold)    |
| 216      | 798944   | Link-Choke                         |
| 216A     | 796485   | Link-Choke                         |
| 217      | 799179   | Spring-Choke Return                |
| 222      | 796482   | Bracket-Control                    |
| 227      | 796487   | Lever-Governor Control             |
| 238      | 691300   | Cap-Valve                          |
| 276      | 797632   | Washer-Sealing                     |
| 287      | 793479   | Screw (Dipstick Tube)              |
| 291      | 798938   | Thermostat                         |
| 300      | 798940   | Muffler                            |
| 304      | 796692   | Housing-Blower                     |
| 332      | 690662   | Nut (Flywheel)                     |

# PARTS LIST

Craftsman Engine Model No. 111P02-0005-F1 For Craftsman Mower Model No. 247.374810

| Ref. No. | Part No. | Description                        |
|----------|----------|------------------------------------|
| 333      | 796499   | Armature-Magneto                   |
| 334      | 793454   | Screw (Magneto Armature) (M6x27mm) |
| 334A     | 796537   | Screw (Magneto Armature)           |
| 337      | 591039   | Plug-Spark                         |
| 356      | 692390   | Wire-Stop                          |
| 358      | 799495   | Gasket Set-Engine                  |
| 365      | 793458   | Screw (Carburetor) (M6x27.1mm)     |
| 365A     | 690349   | Screw (Carburetor) (#10-32x1.38)   |
| 404      | 690272   | Washer (Governor Crank)            |
| 445      | 795066   | Filter-Air Cleaner Cartridge       |
| 505      | 793515   | Nut (Governor Control Lever)       |
| 523      | 796503   | Dipstick                           |
| 524      | 692296   | Seal- Dipstick Tube                |
| 525      | 796502   | Tube-Dipstick                      |
| 562      | 793514   | Bolt (Governor Control Lever)      |
| 592      | 793481   | Nut (Rewind Starter)               |
| 601      | 791850   | Clamp-Hose (Green)                 |
| 608      | 796497   | Starter-Rewind                     |
| 613      | 796496   | Screw (Muffler)                    |
| 615      | 690340   | Retainer-Governor Shaft            |
| 616      | 798327   | Crank-Governor                     |
| 621      | 692310   | Switch-Stop                        |
| 623      | 793628   | Seal-O Ring (Carburetor Spacer)    |
| 635      | 66538s   | Boot-Spark Plug                    |
| 670      | 793485   | Spacer-Fuel Tank                   |
| 718      | 690959   | Pin-Locating                       |
| 741      | 797521   | Gear-Timing                        |
| 745      | 793491   | Screw (Brake)                      |
| 830      | 796472   | Stud-Rocker Arm                    |
| 842      | 691031   | Seal-O Ring (Dipstick Tube)        |
| 847      | 796501   | Dipstick/Tube Assembly             |
| 851      | 493880s  | Terminal-Spark Plug                |
| 868      | 795440   | Seal-Valve                         |

| Ref. No. | Part No.  | Description   |
|----------|-----------|---|
| 875      | 796492    | Base-Air Cleaner  |
| 883      | 793497    | Gasket-Exhaust  |
| 883A     | 796677    | Gasket-Exhaust  |
| 886      | 796474    | Gasket Kit-Cylinder/Plate   |
| 922      | 692135    | Spring-Brake  |
| 923      | 796634    | Brake   |
| 914      | 794451    | Screw (Rocker Cover)  |
| 957      | 591003    | Cap-Fuel Tank   |
| 968      | 796493    | Cover-Air Cleaner   |
| 972      | 590949    | Tank-Fuel   |
| 975      | 797631    | Bowl-Fuel   |
| 987      | 797629    | Seal-Throttle Shaft   |
| 993      | 796473    | Gasket-Cylinder Head Plate  |
| 1022     | 796480    | Gasket-Rocker Cover   |
| 1023     | 796479    | Cover-Rocker  |
| 1026     | 796481    | Rod-Push  |
| 1029     | 691230    | Arm-Rocker  |
| 1034     | 691343    | Guide-Push Rod  |
| 1036     |           | Label-Emissions (Available from a<br>Briggs & Stratton Authorized Dealer) |
| 1058     | 279946TRI | Operator's Manual   |
| 1059     | 793471    | Kit-Screw/Washer (Fuel Tank)  |
| 1095     | 799946    | Gasket Set-Valve  |
| 1212     | 796537    | Stud (Blower Housing) (M5/M6x77mm)  |
| 1212A    | 793479    | Stud (Blower Housing) (M5/M6x88mm)  |
| 1263     | 697124    | Reed -Breather  |
| 1264     | 793453    | Screw (Breather Reed)   |
| 1329     | 121502-   | Replacement Engine  |
|          | 2025-F1   |   |
| 1330     | 276781    | Repair Manual   |
| 1375     | 796476    | Cover-Breather/Reed   |
| 1376     | 794451    | Screw (Breather/Reed Cover)   |



# PARTS LIST

Craftsman Mower Labels — Model No. 247.374810



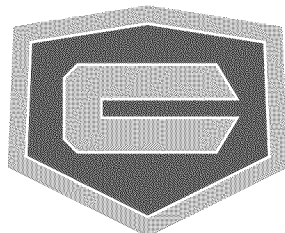
777S33353



777S33350



777I20793



777D16808



777I25102