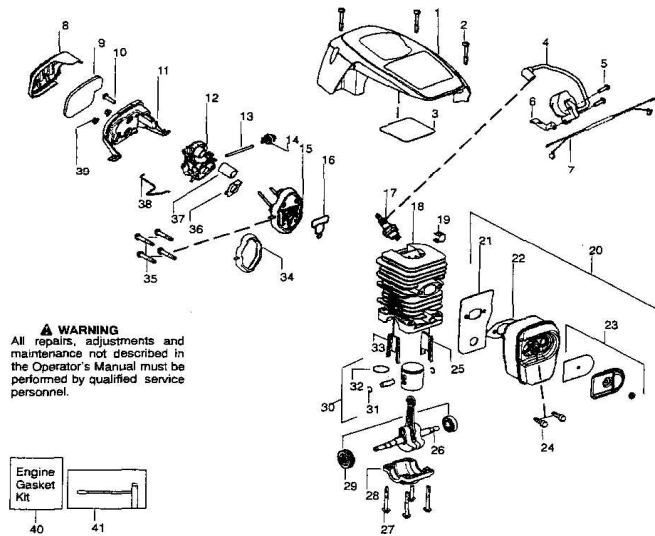


Model CHAINSAW - 358360680 (CYLINDER/SHIELD/CRANKSHAFT)

Diagram Reference Number	Part Description	Part Number
1	SHIELD-CYL. (INCL. 2,3)	530058837
2	SCREW	530016153
3	TAPE-REFLECTOR	530059006
4	MODULE-IGNITION	530039238
5	SCREW	530016432
6	STRAP-GROUND	530047442
7	ASSEMBLY-WIRE HARNESS	530057943
8	COVER-AIR FILTER	530058687
9	FILTER-AIR	530057925
10	SCREW	530016425
11	HOUSING-AIR FILTER	530057892
12	CARBURETOR ZAMA W26	530035590
13	KIT-FUEL LINE (SMALL)	530069247
14	BULB-PURGE "SNAP-IN"	530047721
15	KIT-CARB. ADAPTOR (INCL. 16,34,37)	530071889
16	GASKET-CYL. O-RING (KIT)	530071894
17	CHAMPION-ACCY-SPARK PLUG (RCJ-7Y)	N/P
18	KIT-CYLINDER (INCL. 25,33)	530071884
19	CLIP-HIGH TENSION LEAD	530016136
20	KIT-MUFFLER (INCL. 21,22,23,24)	530071887
21	BACKPLATE-MUFFLER	530057942
22	GASKET-MUFFLER (KIT)	530071894
23	KIT-SPARK ARRESTOR	530071886
24	BOLT-MUFFLER	530016338
25	INSERT-LEFT (BLACK) CYL.	530057885
26	ASSEMBLY-CRANKSHAFT/ROD	530012537
27	BOLT	530016417
28	CAP-CRANKCASE	530057941
29	ASSEMBLY-BEARING/SEAL	530056363
30	KIT-PISTON (INCL. 31,32)	530071883
31	RETAINER-PISTON PIN	530015697
32	RING-PISTON	530038729
33	INSERT-RIGHT (GRAY) CYL.	530057886
34	SEAL-ADAPTOR (KIT)	530071894
35	SCREW	530016426
36	GASKET-CARB. (KIT)	530071894
37	TUBE-INTAKE	530057926
38	WIRE-THROTTLE	530057909
39	NUT-CARB.	530016101
40	KIT-GASKET (INCL. 16,22,34,36)	530071894
41	SCRENCH	530031189
NI01	MANUAL	545058710
NI02	DECAL-WARNING	530059107



10/05

Model CHAINSAW - 358360680 (CHAIN/BAR/HANDLE/HOUSING)

Diagram Reference Number	Part Description	Part Number
1	KNOB-CHOKE	530057893
2	SPRING-IGN. SWITCH	530057908
3	LEVER-IGN. SWITCH	530057891
4	SCREW	530016080
5	KIT-TRIGGER/LOCKOUT	530071888
6	KIT-FUEL LINE (LARGE)	530069216
7	KIT-FUEL LINE (SMALL)	530069247
8	ASSEMBLY-FUEL PICK UP	530095646
9	FITTING-FUEL LINE	530023877
10	KIT-CLUTCH WASHER	530071945
11	ASSEMBLY-CLUTCH DRUM 3/8	530057905
12	KIT-CLUTCH WASHER	530071945
13	ASSEMBLY-CLUTCH	530057907
14	WASHER-LARGE CLUTCH	530016419
15	ASSEMBLY-FUEL CAP W/RET. SCREW	530047192
16	SCREW	530016064
17	NUT "U" TYPE SPEED	530015922
18	ASSEMBLY-FLYWHEEL	530059635
19	SHIELD-HEAT	530057911
20	WASHER-FLYWHEEL	530015127
21	NUT-FLYWHEEL	530016134
22	SCREW-SHOULDER	530021179
23	STARTER HUB-EPS	530059677
24	SPRING-EPS	530021180
25	KIT-EPS STARTER PULLEY (INCL. 22,23,24,31)	530071966
26	HOUSING-FAN	530058814
27	HANDLE-STARTER	530056402
28	KIT-ROPE	530069232
29	SCREW	530016432
30	SPRING-STARTER	530042095
31	SCREW	530016080
32	ASSEMBLY-OIL VENT	530058786
33	ASSEMBLY-OIL CAP W/RET.	530057236
34	HANDGUARD	530057897
35	SPRNG-HANDGUARD	530016416
36	ASSEMBLY-CHASSIS (INCL. 5,6,7,8,9,15,16,17,19,32,33,35,39)	530058867
37	KIT-CHAINBRAKE	530071893
38	SCREW	530016432
39	BOLT-BAR	530016133
40	PLATE-BAR	530057910
41	NUT-BAR	530015917
42	COVER-CLUTCH	530058918
43	CHAIN 16"	71-3629
44	EZ ADJUST BAR 16"	71-36596
45	SCREW	530016432
46	HANDLE-FRONT	530057888
47	KIT-CLUTCH WASHER (INCL. 10,12)	530071945
48	ASSEMBLY-OIL PICK UP	530057924
49	KIT-OIL PUMP (INCL. 50,51,52)	530071891
50	SCREW	530016064
51	ASSEMBLY-OIL PUMP	530057931
52	GEAR-WORM	530037820
NI01	MANUAL	545058710
NI02	DECAL-WARNING	530059107

