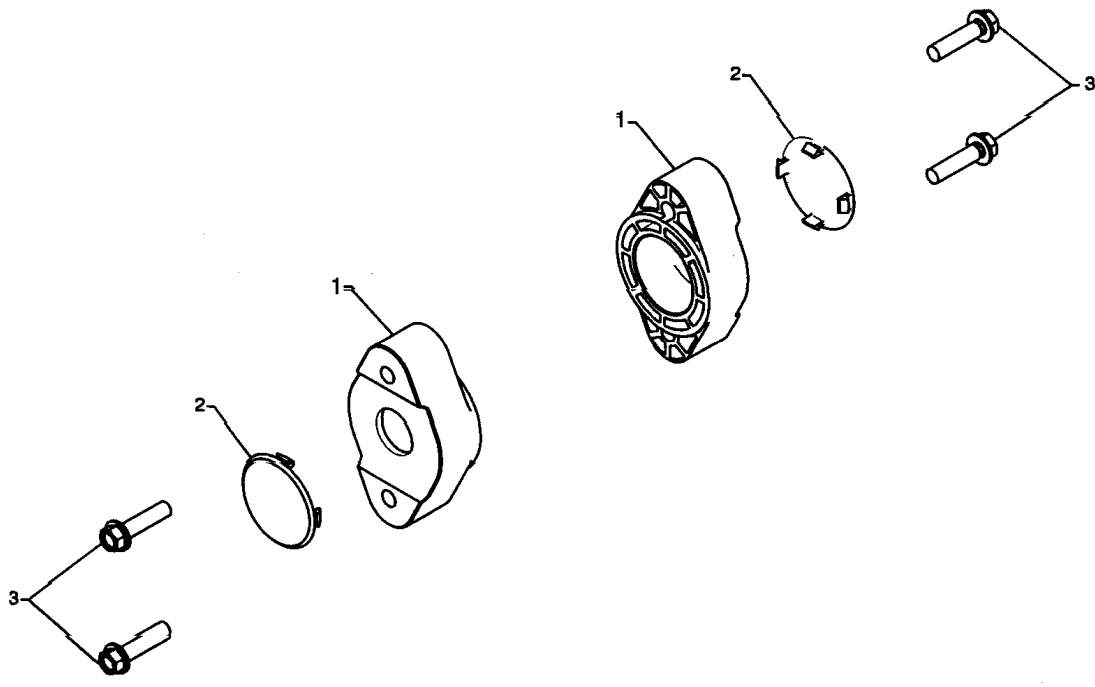
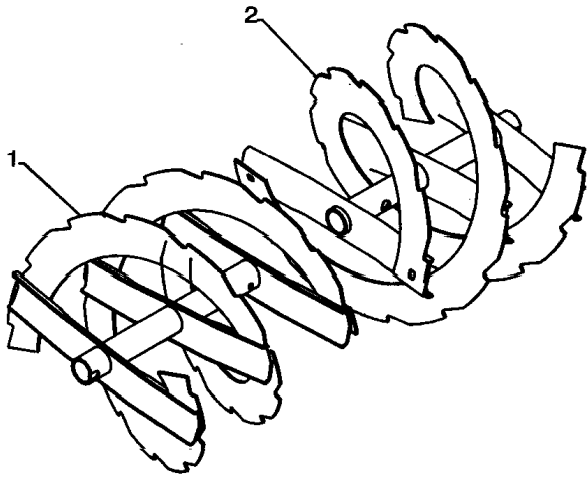
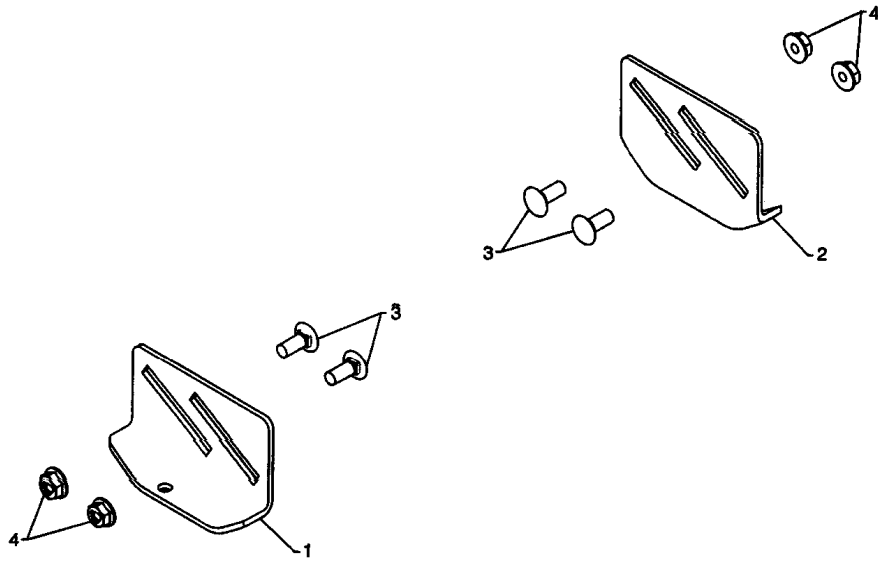
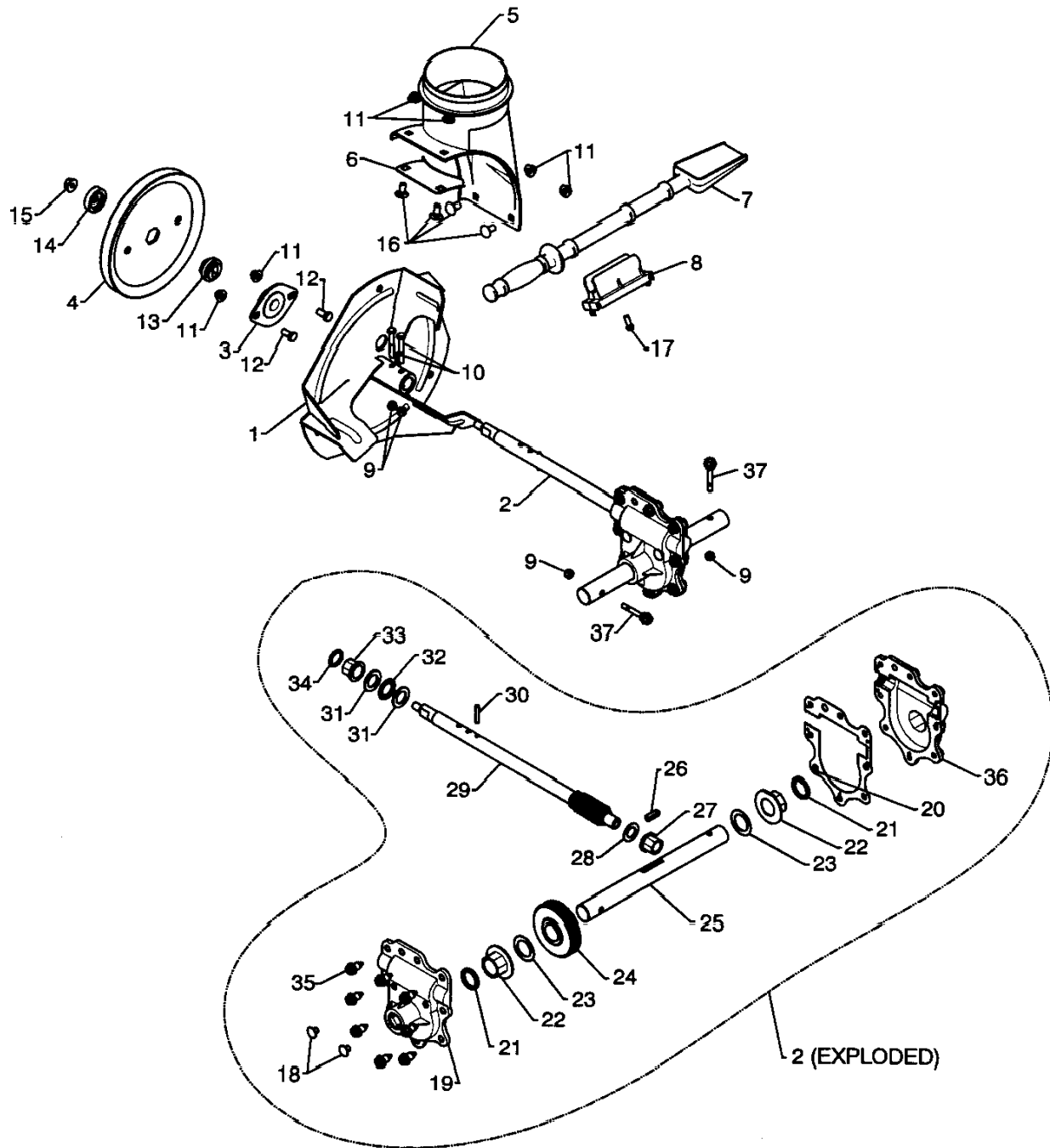


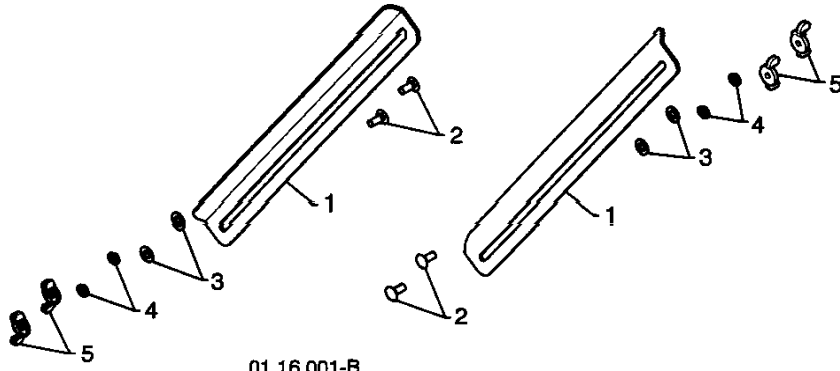
10/10



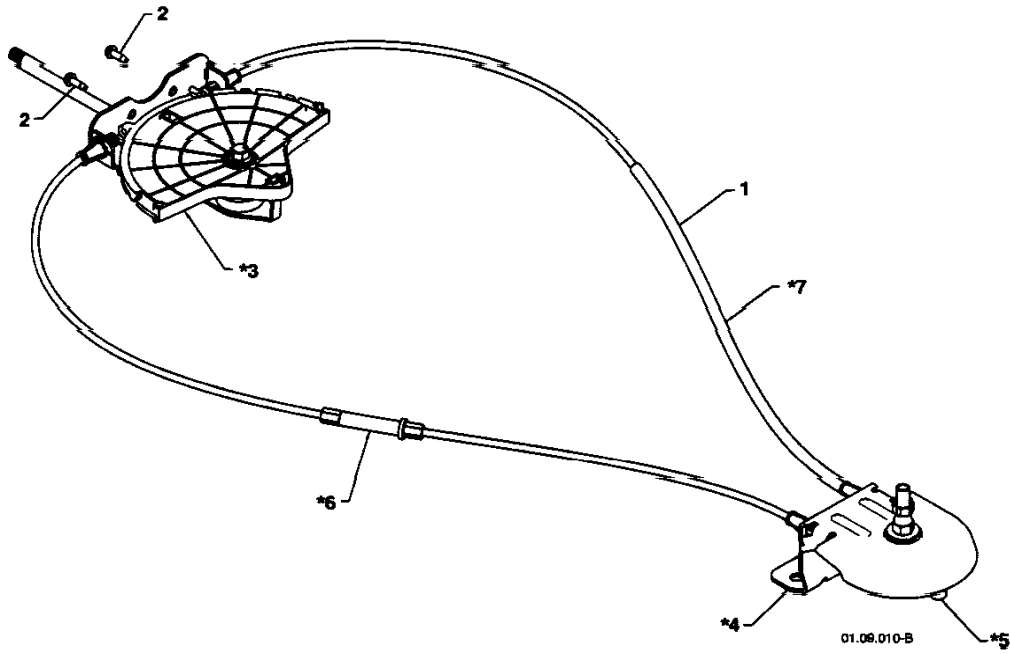






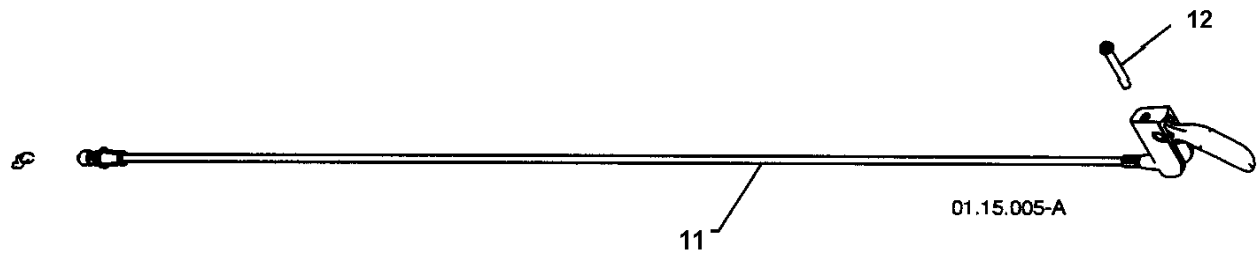


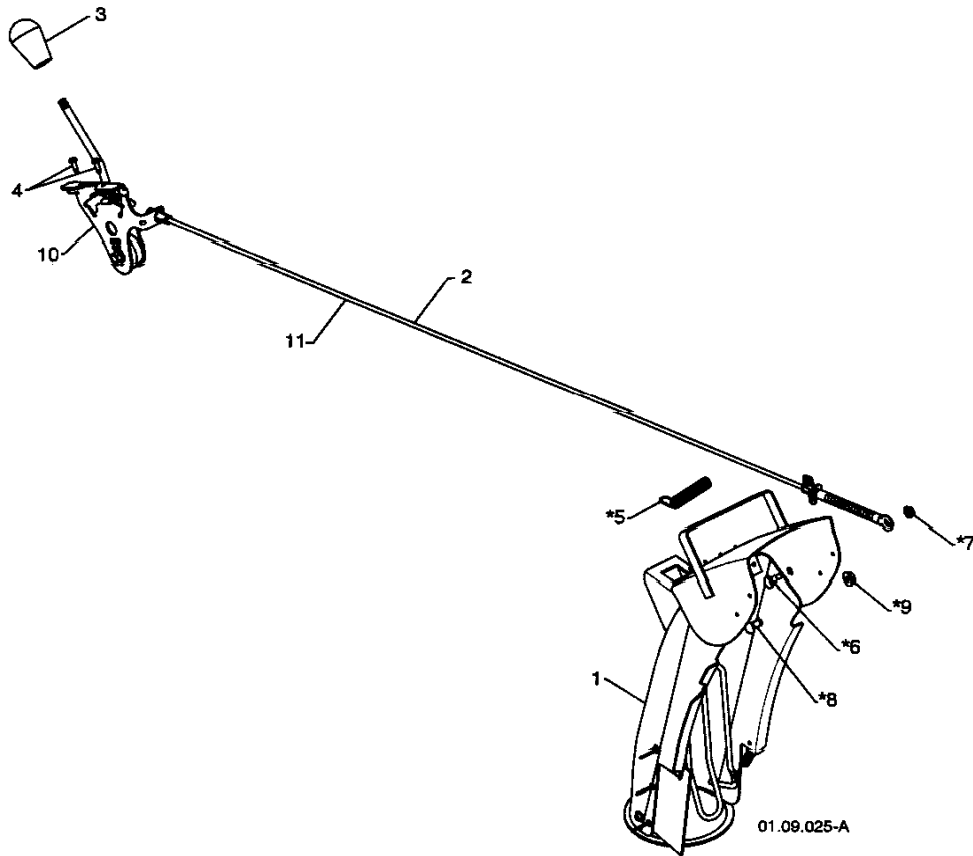
01.16.001-B



NOTES:

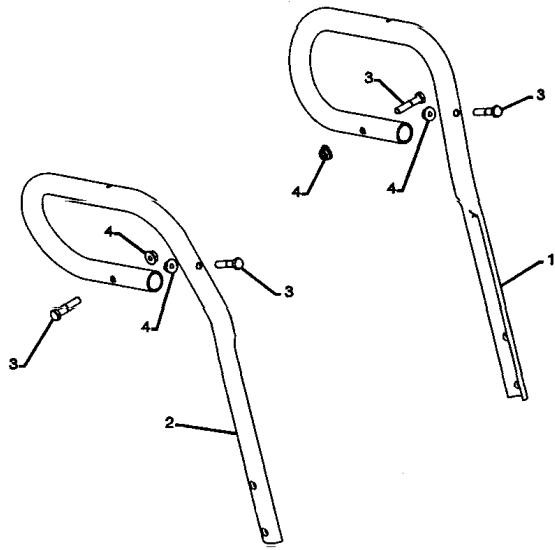
1. ITEMS INDICATED WITH AN * ARE LISTED AS REFERENCE FOR SERVICE PARTS ONLY.

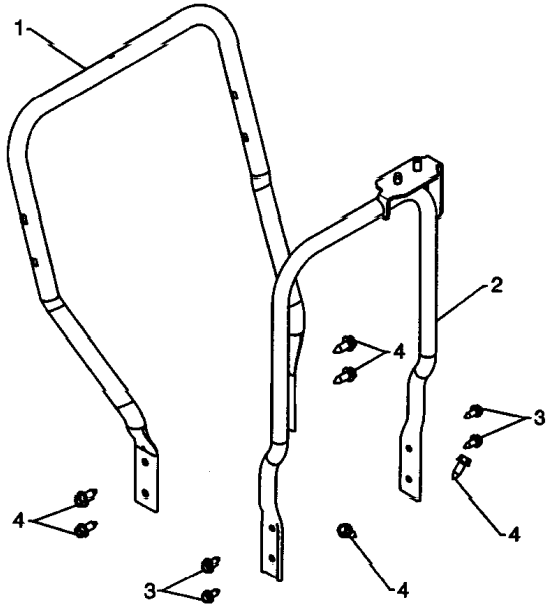


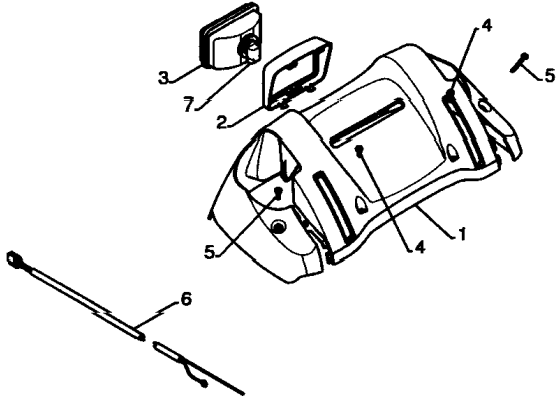


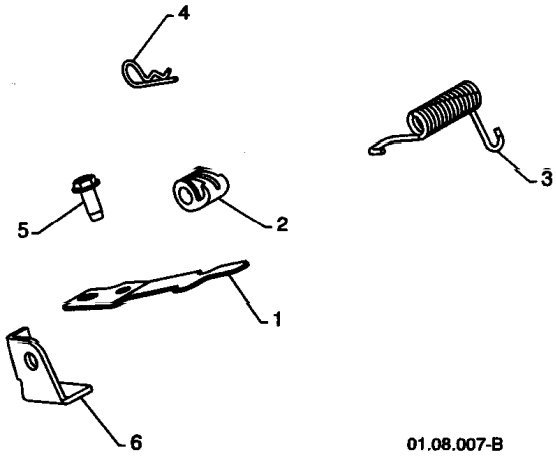
NOTE:

1. ALL ITEMS INDICATED WITH AN * ARE PROVIDED IN THE BAG OF ITEMS SHIPPED LOOSE WITH PRODUCT.

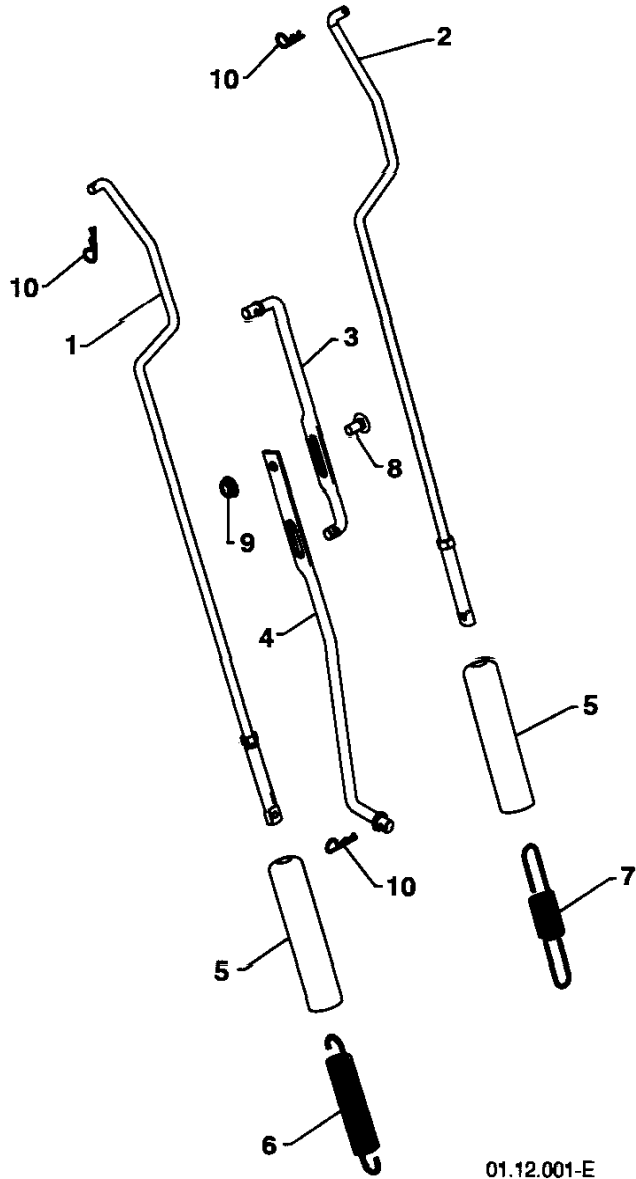




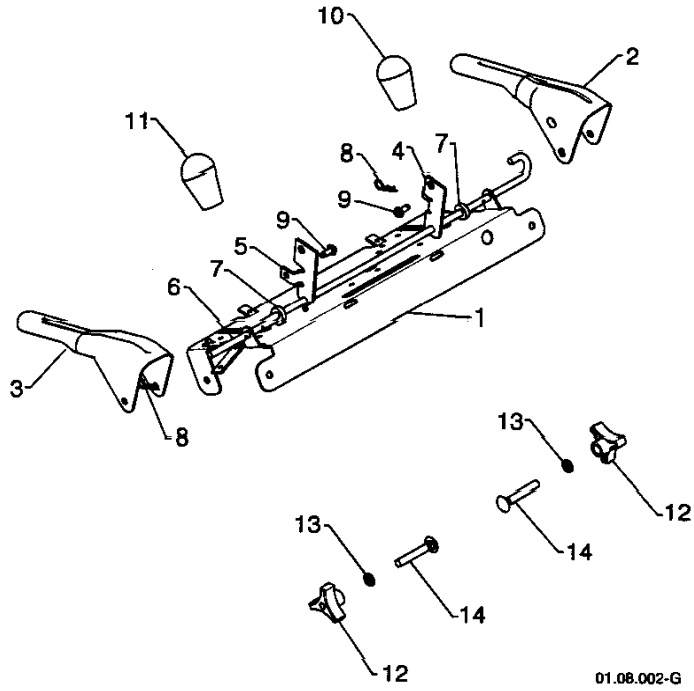




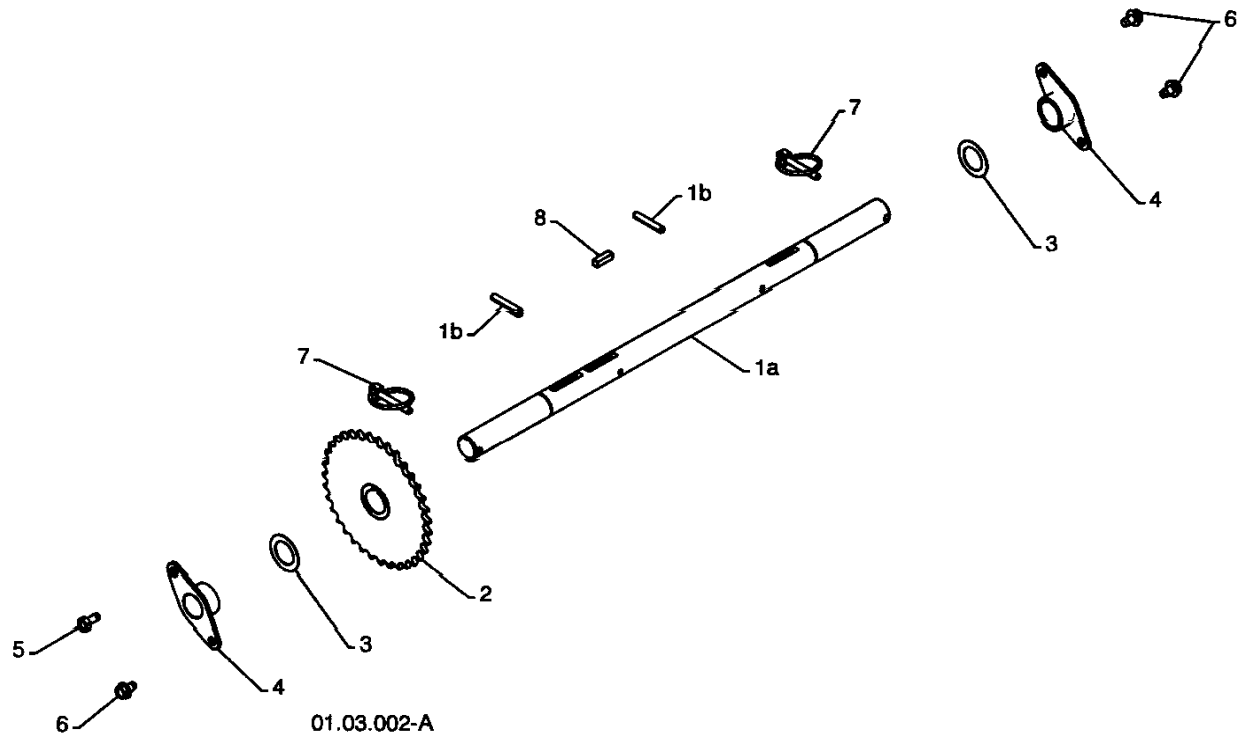
01.08.007-B

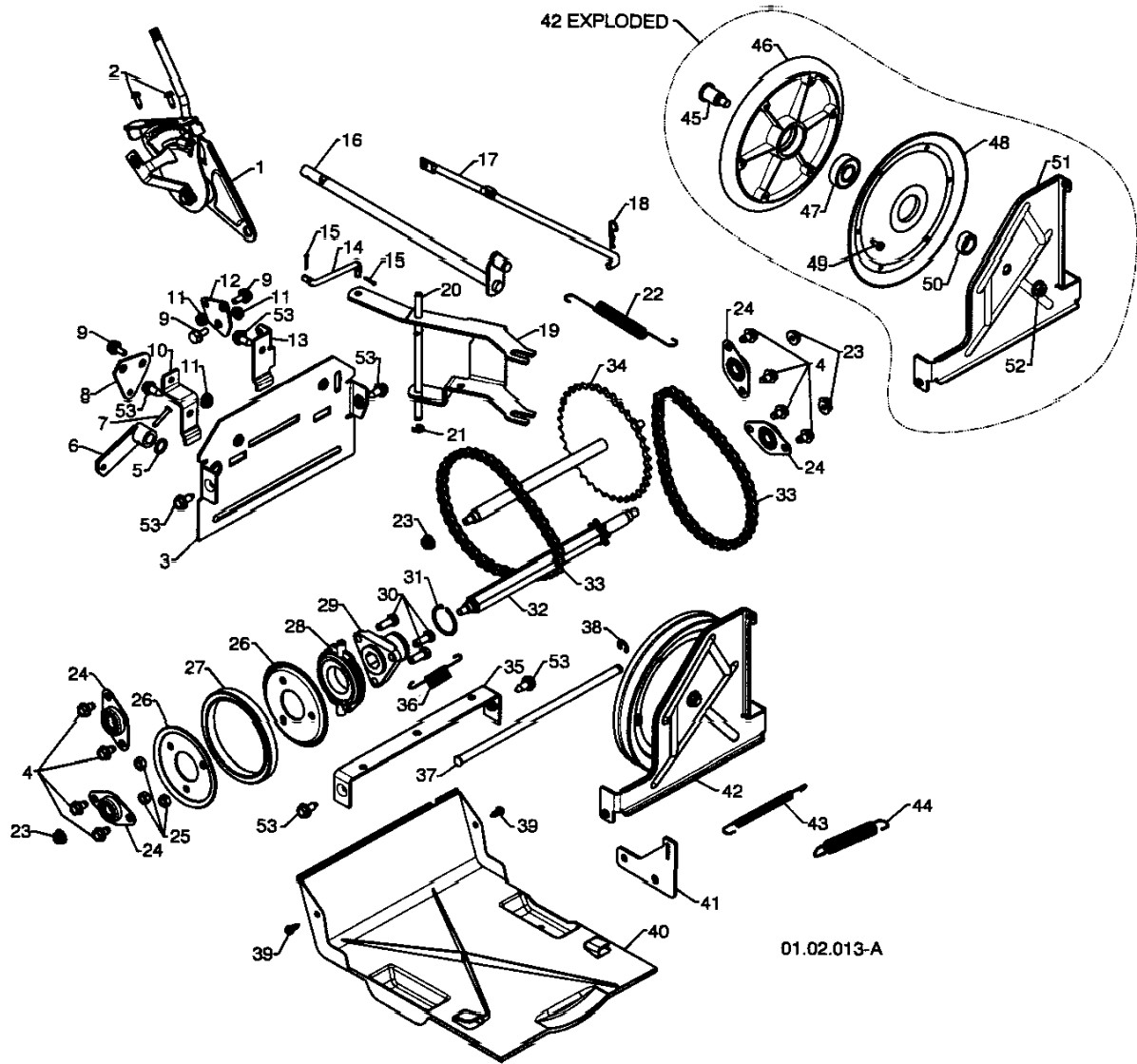


01.12.001-E

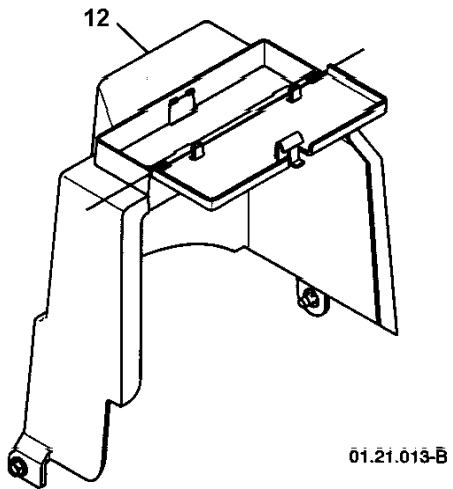
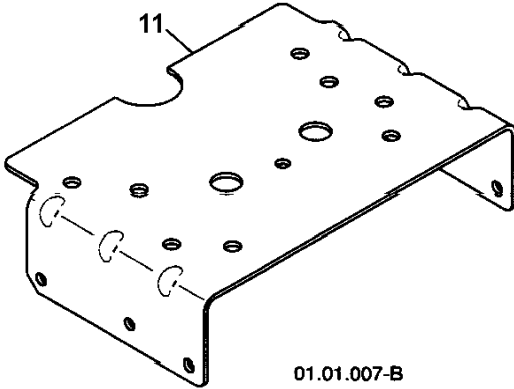
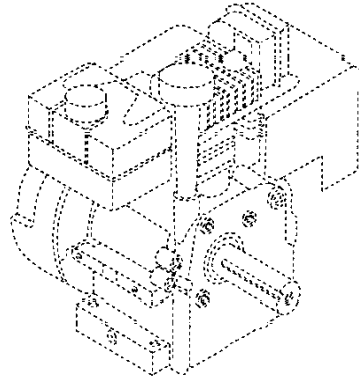
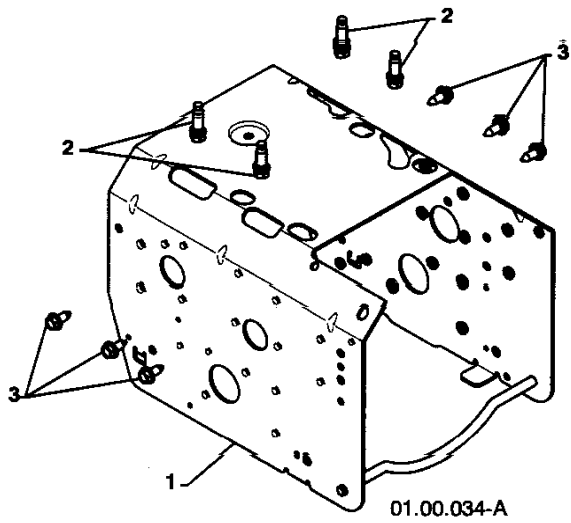


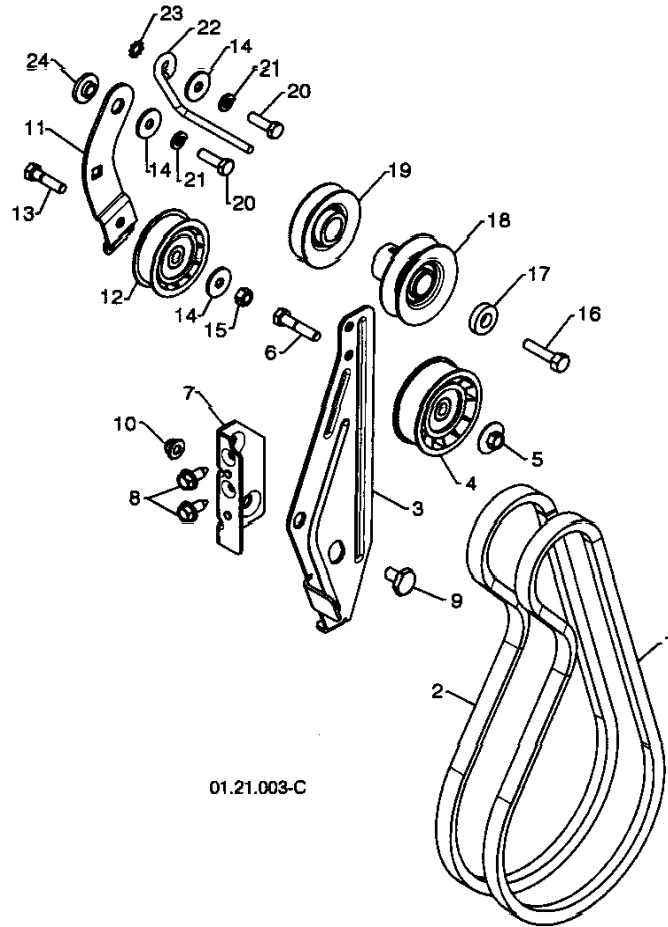
01.08.002-G



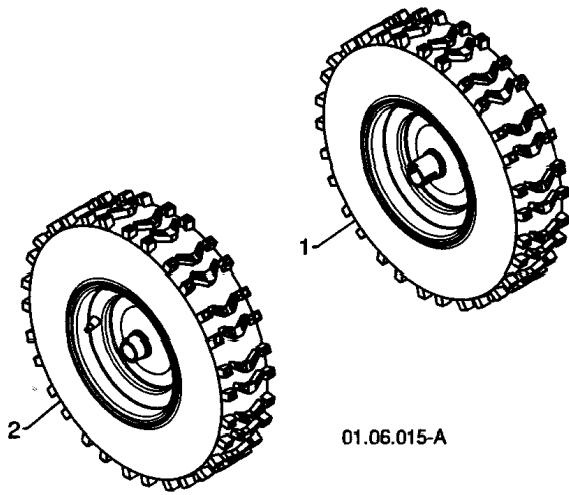


01.02.013-A

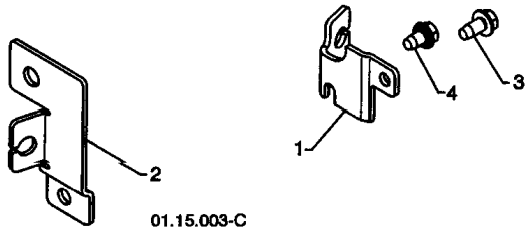


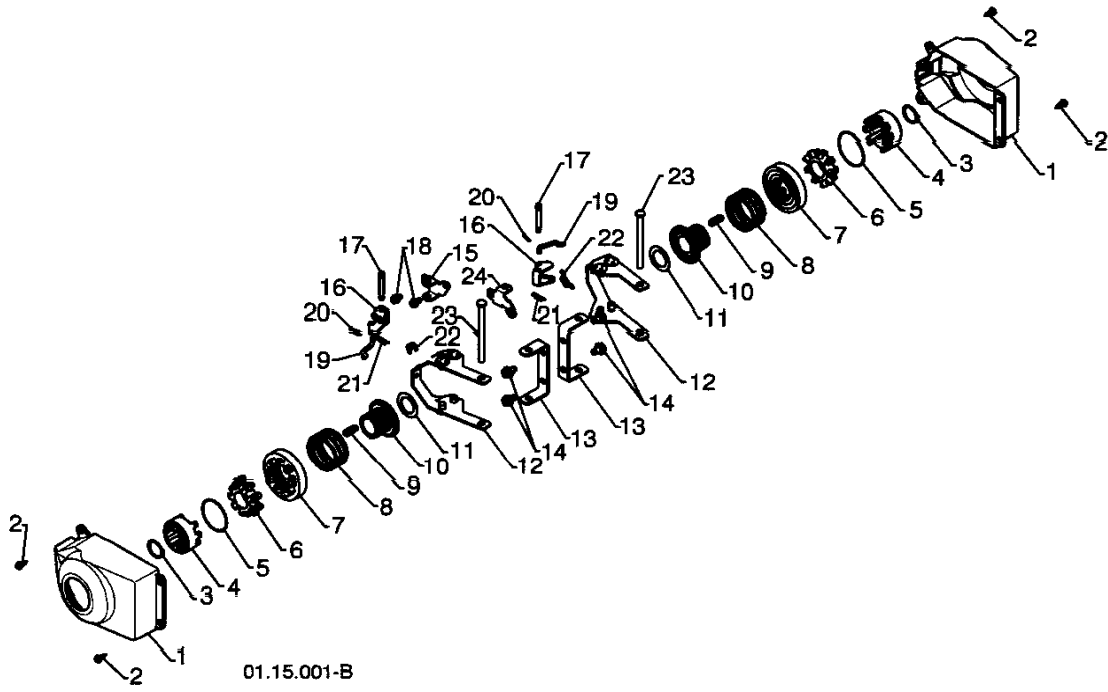


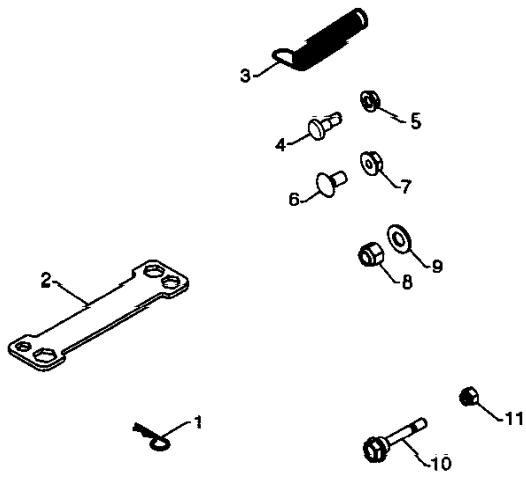
01.21.003-C



01.06.015-A



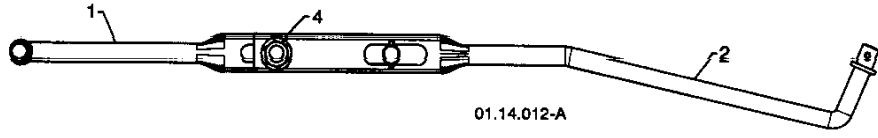
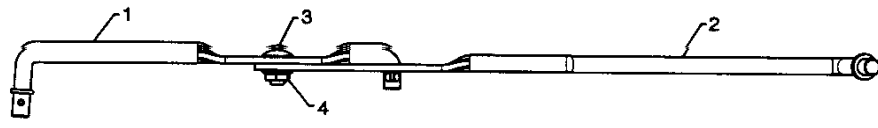




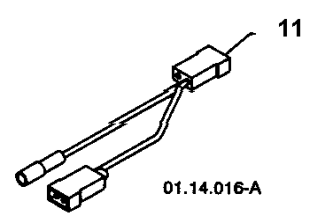
01.14.005-C



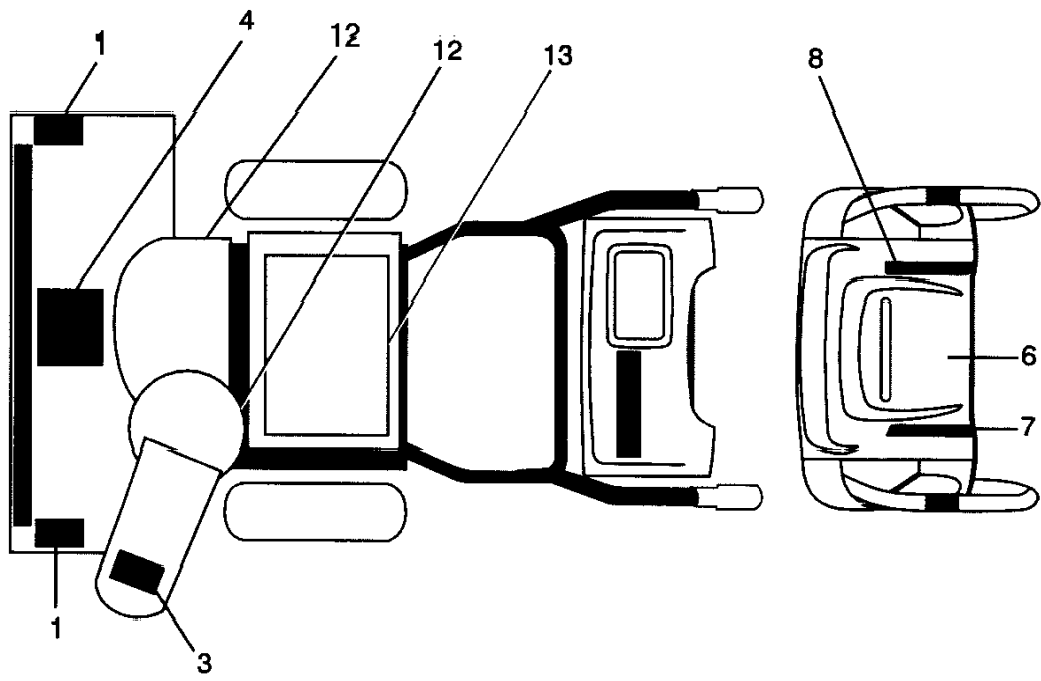
01.14.007-A



01.14.012-A



01.14.016-A



Product Type: Brand: Model:

917,25357

Div	PLS	Part Number	Description	Page ID	Key ID	Key Suffix ID
71	917	438929	REPAIR PARTS MANUAL	0	00NI01	NA
71	917	438930	OPERATOR'S MANUAL, EUROPEAN	0	00NI02	NA
71	917	438931	OPERATOR'S MANUAL, SCANDINAVIAN	0	00NI03	NA
71	917	404929X615	AUGER HOUSING 27	1	1	NA
71	917	404932X431	SCRAPER BAR	1	2	NA
71	917	72270505	CARRIAGE BOLT 5/16-18 X .625	1	3	NA
71	917	155377	NUT 5/16-18	1	4	NA
71	917	420478	AUGER BEARING	2	1	NA
71	917	411939	BEARING PLUG	2	2	NA
71	917	179582	SCREW 5/16-18 X 1.00	2	3	NA
71	917	420495X431	AUGER 27 LH	3	1	NA
71	917	420496X431	AUGER 27 RH	3	2	NA
71	917	174762X431	SKID PLATE LH	4	1	NA
71	917	178777X431	SKID PLATE RH	4	2	NA
71	917	72270506	CARRIAGE BOLT 5/16-18 X .75	4	3	NA
71	917	751153	NUT 5/16-18	4	4	NA
71	917	175321X431	IMPELLER	5	1	NA
71	917	427148	GEARBOX ASSEMBLY	5	2	NA
71	917	188909	BEARING	5	3	NA
71	917	427146	IMPELLER PULLEY	5	4	NA
71	917	175322	DISCHARGE BASE	5	5	NA
71	917	178675X431	CORNER BRACKET	5	6	NA
71	917	192199	CLEAN OUT TOOL	5	7	NA
71	917	405400	TOOL CLIP	5	8	NA
71	917	73800400	NUT 1/4-20	5	9	NA
71	917	74780426	SCREW 1/4-20 X .625	5	10	NA
71	917	427942	NUT 5/16-18	5	11	NA
71	917	163183	SCREW 5/16-18 X .625	5	12	NA
71	917	427145	IMPELLER HUB	5	13	NA
71	917	427154	IMPELLER SLEEVE	5	14	NA
71	917	73900600	NUT 3/8-16	5	15	NA
71	917	180355	CARRIAGE BOLT	5	16	NA
71	917	194189	SCREW 13-16 X .625	5	17	NA
71	917	407760	PLUG	5	18	NA
71	917	427302	GEARBOX COVER RH	5	19	NA
71	917	427345	GASKET	5	20	NA
71	917	407770	SEAL	5	21	NA
71	917	407762	BEARING	5	22	NA
71	917	174697	THRUST WASHER 1.00	5	23	NA
71	917	407763	WORM GEAR	5	24	NA
71	917	407764	AUGER SHAFT	5	25	NA
71	917	189282	SQUARE KEY	5	26	NA
71	917	407758	BEARING	5	27	NA
71	917	174683	THRUST WASHER	5	28	NA
71	917	427147	IMPELLER SHAFT	5	29	NA
71	917	7836M	ROLL PIN	5	30	NA
71	917	174681	THRUST WASHER	5	31	NA
71	917	174684	THRUST BEARING	5	32	NA
71	917	407769	BEARING	5	33	NA

71	917	407768	O-RING	5	34	NA
71	917	407767	SCREW 5/16-18 X .750	5	35	NA
71	917	427317	GEARBOX COVER LH	5	36	NA
71	917	192090	SHEAR BOLT	5	37	NA
71	917	181160X431	DRIFT CUTTER BAR	6	1	NA
71	917	72270506	CARRIAGE BOLT 5/16-18 X .750	6	2	NA
71	917	179246	PLASTIC WASHER	6	3	NA
71	917	10040500	LOCKWASHER 5/16	6	4	NA
71	917	128638	NUT 5/16-18	6	5	NA
71	917	428272	LEVER/CABLE ROTATOR ASSEMBLY	7	1	NA
71	917	17501010	SCREW 10-24 X .625	7	2	NA
71	917	420678	ROTATOR HEAD (SEE NOTE 1 ON PAGE 9)	7	3	NA
71	917	405932	ROTATOR PIVOT BRACKET (SEE NOTE 1 ON PAGE 9)	7	4	NA
71	917	420675	PULLEY PIVOT (SEE NOTE 1 ON PAGE 9)	7	5	NA
71	917	428273	CABLE ASSEMBLY ADJUSTABLE (SEE NOTE 1 ON PAGE 9)	7	6	NA
71	917	428310	CABLE ASSEMBLY HEAT SHIELD (SEE NOTE 1 ON PAGE 9)	7	7	NA
71	917	188303	STEER CABLE	7	11	NA
71	917	74041024	SCREW 1024 X 1.50	7	12	NA
71	917	437001	KIT CHUTE GUARD BLACK	8	1	NA
71	917	420673	DEFLECTOR CONTROL ASSEMBLY	8	2	NA
71	917	414280	KNOB BLACK	8	3	NA
71	917	17501010	SCREW 10-24 X .625	8	4	NA
71	917	184505	DEFLECTOR SPRING (IN THE BAG OF ITEMS SHIPPED LOOSE WITH PRODUCT)	8	5	NA
71	917	179829	SHOULDER BOLT 1/4-20 X .375 (IN THE BAG OF ITEMS SHIPPED LOOSE WITH PRODUCT)	8	6	NA
71	917	191730	NUT 1/4-20 (IN THE BAG OF ITEMS SHIPPED LOOSE WITH PRODUCT)	8	7	NA
71	917	72250505	CARRIAGE BOLT 3/8-16 X .625 (IN THE BAG OF ITEMS SHIPPED LOOSE WITH PRODUCT)	8	8	NA
71	917	751153	NUT 5/16-18 (IN THE BAG OF ITEMS SHIPPED LOOSE WITH PRODUCT)	8	9	NA
71	917	420679	(SERVICE PART)DEFLECTOR CONTROL	8	10	NA
71	917	420672	(SERVICE PART)DEFLECTOR CABLE BLACK	8	11	NA
71	917	419798X431	LOOP HANDLE LH	9	1	NA
71	917	419799X431	LOOP HANDLE RH	9	2	NA
71	917	74780524	SCREW 5/16-18 X 1.50	9	3	NA
71	917	751153	NUT 5/16-18	9	4	NA
71	917	419797X431	LOWER HANDLE	10	1	NA
71	917	427513X431	PIVOT SUPPORT WELDMENT	10	2	NA
71	917	428867	SCREW 5/16-18 X .750	10	3	NA
71	917	17000616	SCREW 3/8-16 X 1.00	10	4	NA
71	917	182906	PANEL CONSOLE	11	1	NA
71	917	178668	HEADLIGHT BEZEL	11	2	NA
71	917	178666	HALOGEN HEADLIGHT	11	3	NA
71	917	184471	SHOULDER SCREW	11	4	NA

71	917	175262	SCREW 10-24 X 1.25	11	5	NA
71	917	180964	WIRE HARNESS	11	6	NA
71	917	401620	BULB	11	7	NA
71	917	412675X431	INTERLOCK SPRING	12	1	NA
71	917	414572	INTERLOCK CAM	12	2	NA
71	917	178831	TORSION SPRING	12	3	NA
71	917	169675	RETAINER	12	4	NA
71	917	17060410	SCREW 1/4-20 X .625	12	5	NA
71	917	421252X431	INTERLOCK STOP	12	6	NA
71	917	180480	IMPELLER ROD ASSEMBLY	13	1	NA
71	917	405740	TRACTION ROD ASSEMBLY	13	2	NA
71	917	180445	SHIFTER ROD TOP	13	3	NA
71	917	187716	SHIFTER ROD BOTTOM	13	4	NA
71	917	180447	SPRING SLEEVE	13	5	NA
71	917	178669	IMPELLER SPRING	13	6	NA
71	917	180926	TRACTION SPRING	13	7	NA
71	917	72270505	CARRIAGE BOLT 5/16-18 X .625	13	8	NA
71	917	155377	NUT 5/16-18	13	9	NA
71	917	169675	RETAINER	13	10	NA
71	917	412683X431	CONTROL PANEL	14	1	NA
71	917	424517X431	CONTROL LEVER LH	14	2	NA
71	917	424516X431	CONTROL LEVER RH	14	3	NA
71	917	412679X008	TRACTION ROD ARM	14	4	NA
71	917	426918X	IMPELLER ROD ARM	14	5	NA
71	917	412677	INTERLOCK BAIL	14	6	NA
71	917	421613	SPACER	14	7	NA
71	917	169675	RETAINER	14	8	NA
71	917	17060410	SCREW 1/4-20 X .62	14	9	NA
71	917	414280	KNOB BLACK	14	10	NA
71	917	414281	KNOB RED	14	11	NA
71	917	178899	HANDLE KNOB	14	12	NA
71	917	19131316	WASHER 3/8	14	13	NA
71	917	72120618	CARRIAGE BOLT 3/8-16 X 2.25	14	14	NA
71	917	404307	AXLE SHAFT	15	1	A
71	917	9465M1	ROLL PIN 3/16 X 1.50	15	1	B
71	917	404923	AXLE ASSEMBLY (ASSEMBLY OF 1A, 1B)	15	1	NA
71	917	402691	SPROCKET	15	2	NA
71	917	174697	THRUST WASHER	15	3	NA
71	917	179830	BEARING	15	4	NA
71	917	146315	SCREW 5/16-18 X .625	15	5	NA
71	917	17490508	SCREW 5/16-18 X .500	15	6	NA
71	917	155443	KLIK PIN 1/4 X 1.50	15	7	NA
71	917	189282	SQUARE KEY	15	8	NA
71	917	198875	SPEED SELECTOR ASSEMBLY	16	1	NA
71	917	17501010	SCREW 10-24 X .625	16	2	NA
71	917	402685X615	END PLATE	16	3	NA
71	917	17490508	SCREW 5/16-18 X .50	16	4	NA
71	917	57079	WASHER	16	5	NA
71	917	405485	CONTROL ARM	16	6	NA
71	917	198580	CLEVIS PIN	16	7	NA
71	917	403097X008	SHIFTER PLATE	16	8	NA
71	917	402881	SHOULDER BOLT	16	9	NA
71	917	403096X431	SHIFTER BRACKET	16	10	NA

71	917	191730	NUT 1/4-20	16	11	NA
71	917	402856X008	CLUTCH PLATE	16	12	NA
71	917	416717X431	CLUTCH BRACKET	16	13	NA
71	917	187101	SHIFTER LINK	16	14	NA
71	917	700279	RETAINER	16	15	NA
71	917	427542	CONTROL SHAFT	16	16	NA
71	917	402568	CLUTCH ROD	16	17	NA
71	917	169675	RETAINER	16	18	NA
71	917	401732	SHIFTER YOKE	16	19	NA
71	917	402310	PIVOT ROD	16	20	NA
71	917	12000036	RETAINER	16	21	NA
71	917	402878	RETURN SPRING	16	22	NA
71	917	751153	NUT 5/16-18	16	23	NA
71	917	408981	BEARING	16	24	NA
71	917	73930500	NUT 5/16-18	16	25	NA
71	917	198176X431	RUBBER WHEEL PLATE	16	26	NA
71	917	179831	RUBBER RING	16	27	NA
71	917	175344	BEARING	16	28	NA
71	917	178613	WHEEL HUB	16	29	NA
71	917	74760514	SCREW 5/16-18-.875	16	30	NA
71	917	12000012	RETAINER RING	16	31	NA
71	917	402187	SPROCKET SHAFT	16	32	NA
71	917	401619	CHAIN	16	33	NA
71	917	417234	SPROCKET WELDMENT	16	34	NA
71	917	401984X431	SHIFTER BRACKET	16	35	NA
71	917	180135	SPRING	16	36	NA
71	917	402652	PLATE PIVOT ROD	16	37	NA
71	917	428288	E-RING .375	16	38	NA
71	917	184471	SHOULDER SCREW	16	39	NA
71	917	410877	BOTTOM PAN	16	40	NA
71	917	413429X431	SPRING BRACKET	16	41	NA
71	917	402689	DRIVE PLATE ASSEMBLY	16	42	NA
71	917	414557	IDLER SPRING	16	43	NA
71	917	178828	IDLER SPRING	16	44	NA
71	917	402504	PULLEY SHAFT	16	45	NA
71	917	401820	DRIVE PLATE	16	46	NA
71	917	198791	BEARING	16	47	NA
71	917	402393	PULLEY HALF	16	48	NA
71	917	17541008	SCREW 10-24 X .50	16	49	NA
71	917	402511	SPACER BEARING	16	50	NA
71	917	418894X431	SWING PLATE	16	51	NA
71	917	132010	NUT 3/8-16	16	52	NA
71	917	428867	SCREW 5/16-18 X .750	16	53	NA
71	917		ENGINE, B&S MODEL 20M314-1474-E1	17	0	NA
71	917	418694X615	FRAME	17	1	NA
71	917	150406	BOLT 3/8-16	17	2	NA
71	917	428867	SCREW 5/16-18 X .750	17	3	NA
71	917	436146X615	ENGINE MOUNT PLATE	17	11	NA
71	917	428684	COVER ASSEMBLY	17	12	NA
71	917	408007	IMPELLER BELT	18	1	NA
71	917	419744	TRACTION BELT	18	2	NA
71	917	423723X431	IDLER ARM BRACKET	18	3	NA
71	917	180523	IDLER PULLEY	18	4	NA

71	917	426589	NUT 5/16-18	18	5	NA
71	917	74780524	SCREW 5/16-19 X 1.50	18	6	NA
71	917	423990X431	IDLER BRACKET	18	7	NA
71	917	428867	SCREW 5/16-18 X .625	18	8	NA
71	917	424297	SHOULDER BOLT 5/16-18 X .500	18	9	NA
71	917	751153	NUT 5/16-18 NYLOC	18	10	NA
71	917	187786	TRACTION IDLER ARM	18	11	NA
71	917	180522	TRACTION PULLEY	18	12	NA
71	917	74780520	SCREW 5/16-18 X 1.00	18	13	NA
71	917	59289	WASHER	18	14	NA
71	917	73800500	NUT 5/16-18	18	15	NA
71	917	851084	SCREW 3/8-24 X 1.375	18	16	NA
71	917	400026	WASHER	18	17	NA
71	917	426491	PULLEY ENGINE IMPELLER	18	18	NA
71	917	426490	PULLEY ENGINE TRACTION	18	19	NA
71	917	74610516	SCREW 5/16-18 X 1.00	18	20	NA
71	917	10040500	LOCKWASHER 5/16	18	21	NA
71	917	155452	BELT GUIDE	18	22	NA
71	917	11050500	LOCKWASHER 5/16	18	23	NA
71	917	175331	IDLER BUSHING	18	24	NA
71	917	432337X417	WHEEL ASSEMBLY LH	19	1	NA
71	917	432338X417	WHEEL ASSEMBLY RH	19	2	NA
71	917	410293	CABLE BRACKET LH	20	1	NA
71	917	410294	CABLE BRACKET RH	20	2	NA
71	917	17490408	SCREW 1/4-20 X .500	20	3	NA
71	917	17600406	SCREW 1/4-20 X .375	20	4	NA
71	917	405161	COVER	21	1	NA
71	917	184471	SHOULDER SCREW	21	2	NA
71	917	12000045	RETAINER RING	21	3	NA
71	917	192126	WHEEL DRIVER	21	4	NA
71	917	182466	RETAINER RING	21	5	NA
71	917	187622	WHEEL LOBE	21	6	NA
71	917	194941	CLUTCH SLIDE	21	7	NA
71	917	179139	SPRING	21	8	NA
71	917	189282	SQUARE KEY	21	9	NA
71	917	194940	AXLE LOBE	21	10	NA
71	917	174697	THRUST WASHER	21	11	NA
71	917	193506X431	STEERING YOKE	21	12	NA
71	917	179148X431	STEERING BRACKET	21	13	NA
71	917	17490508	SCREW 5/16-18 X .50	21	14	NA
71	917	194943X008	PIVOT BRACKET	21	15	NA
71	917	194944X008	BELLCRANK	21	16	NA
71	917	181847	BELLCRANK PIN	21	17	NA
71	917	17600406	SCREW 1/4-20 X .375	21	18	NA
71	917	405077	STEERING LINK	21	19	NA
71	917	700279	RETAINER	21	20	NA
71	917	85179	RETAINER	21	21	NA
71	917	193885	SPRING	21	22	NA
71	917	182015	LEVER PIN	21	23	NA
71	917	194939X008	PIVOT BRACKET	21	24	NA
71	917	169675	RETAINER PIN	22	1	NA
71	917	180684X008	WRENCH	22	2	NA
71	917	184505	REMOTE SPRING	22	3	NA

71	917	179829	SHOULDER BOLT 1/4-20	22	4	NA
71	917	191730	LOCKNUT 1/4-20	22	5	NA
71	917	72250505	CARRIAGE BOLT 5/16-18 X 5/8	22	6	NA
71	917	751153	LOCKNUT 5/16-18	22	7	NA
71	917	73800600	LOCKNUT 3/8-16	22	8	NA
71	917	19131316	WASHER 3/8	22	9	NA
71	917	192090	SHEAR BOLT 1/4-20 X 1-3/4	22	10	NA
71	917	73800400	LOCKNUT 1/4-20	22	11	NA
71	917	193071	SAFETY IGNITION KEY	22	12	NA
71	917	180445	SHIFTER ROD TOP	23	1	NA
71	917	187716	SHIFTER ROD BOTTOM	23	2	NA
71	917	72270505	CARRIAGE BOLT 5/16-18 X .75	23	3	NA
71	917	155377	NUT 5/16-18	23	4	NA
71	917	435840	KIT HARNESS CONN B&S	23	11	NA
71	917	199683	DECAL, DANGER	24	1	NA
71	917	199682	DECAL, DANGER, DEFLECTOR	24	3	NA
71	917	184045	DECAL, DANGER	24	4	NA
71	917	184030	DECAL, INSTRUCTION	24	6	NA
71	917	429591	DECAL, TRACTION LEVER, POWER STEERING LT.	24	7	NA
71	917	429591	DECAL, POWER STEERING RT.	24	8	NA
71	917	184028	DECAL, BELT GUARD	24	12	NA
71	917	184028	DECAL, SOUND LEVEL	24	13	NA