



Eurocycler 41cm Electric Lawn Mower

Model No. 21090 - 280D00001 and up.

Parts Catalog

Ordering Replacement Parts

To order replacement parts, please supply the part number, the quantity, and the description of each part desired.

Understanding Reference Numbers

Each identified part in an illustration has a reference number. The reference number for a part also appears in the parts list, along with other information about the part.

This catalog uses two special reference number formats, one to indicate parts in a service assembly and another to indicate the quantity of a given part in an illustration.

Service Assembly Reference Numbers

Parts in service assemblies have reference numbers in the form a:b. The a represents the reference number of the entire service assembly and the b represents a sequential number unique to each part within the service assembly.

For example, a wheel assembly might be identified by reference number 6, the tire by 6:1, the valve by 6:2, and the wheel by 6:3. When you order the assembly identified by reference number 6, you receive all parts identified by reference numbers 6:1, 6:2, and 6:3. However, you may also order any part individually. Reference numbers of this type appear in illustrations and in part lists.

Reference Numbers Indicating Quantity

In an illustration, if a reference number indicates more than one part, the reference number has the form nX y. The n represents the quantity of the part, the X is the multiplication symbol, and the y represents the reference number.

For example, in an illustration, the reference number 2X 37 means that two of the parts identified by reference number 37 are indicated.

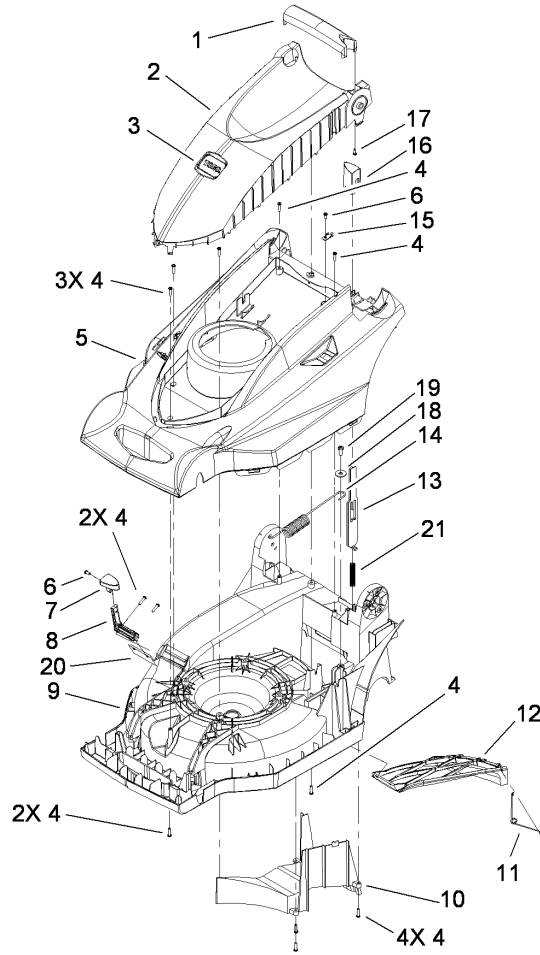
Contents

| Description | Page | Description | Page |
|-------------------------------------|---------|----------------------------------|---------|
| Housing Assembly | 3 | Handle Assembly | 6 |
| Single Point Height-of-Cut Assembly | 4 | Bagging Assembly | 7 |
| Motor and Blade Assembly | 5 | Attachments and Accessories List | 8 |

Part Description Abbreviations

Part descriptions in this catalog may include the following abbreviations.

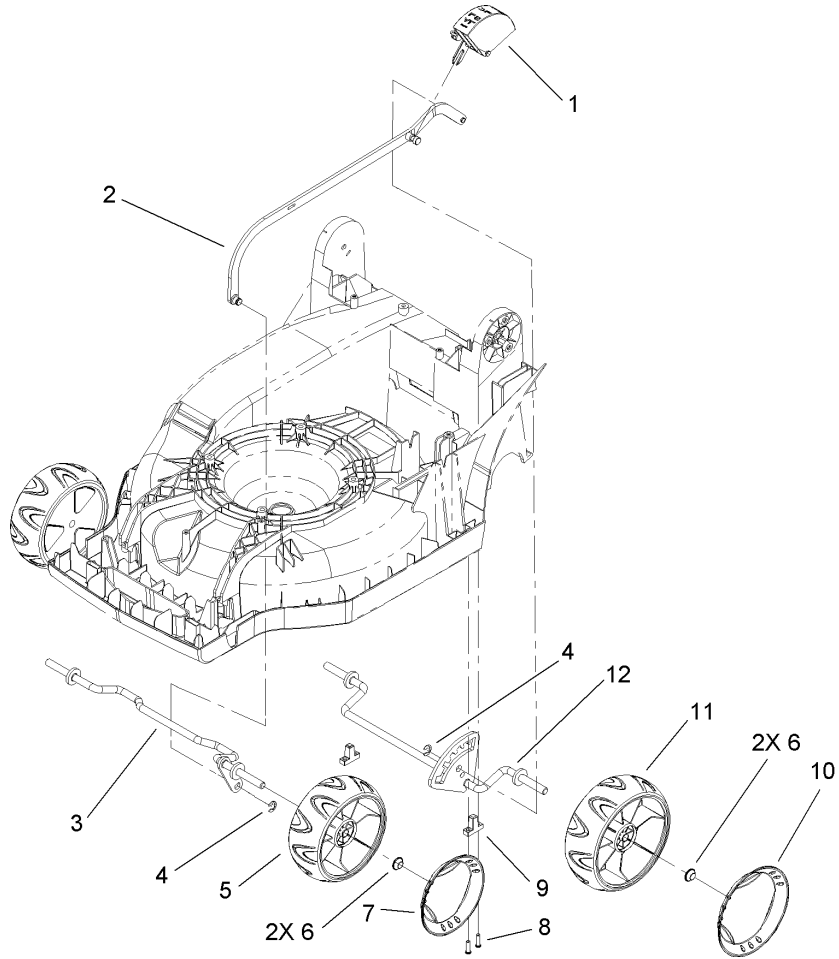
| | |
|--|--|
| AR. as required | HYD. hydraulic |
| ASM. assembly | LH. left hand |
| BBC. blade brake clutch | NI. nylon insert |
| CARR. carriage | NPTF. national pipe thread fine |
| DEG. degrees | PFH. phillips flat head |
| EXT. external | PPH. phillips pan head |
| FH. flat head | PPHTF. phillips pan head thread forming |
| GA. gauge | PRH. phillips round head |
| HD. heavy-duty | PTH. phillips truss head |
| HF. hex flange | PTO. power-take-off |
| HH. hex head | RH. right hand |
| HHF. hex head flange | ROPS. roll-over protection system |
| HHFTF. hex head flange thread forming | SFH. slotted fillister head |
| HJ. hex jam | SHH. slotted hex head |
| HLH. hex lag head | SHWH. slotted hex washer head |
| HOC. height-of-cut | SPH. slotted pan head |
| HSBH. hex socket button head | SQH. square head |
| HSFH. hex socket flat head | SRH. slotted round head |
| HSH. hex socket head | STD. standard |
| HWH. hex washer head | TAP. self tapping |
| HWHTF. hex washer head thread forming | TTH. torx truss head |



Housing Assembly

| Ref | Part No. | Qty. | Description |
|-----|----------|------|--------------------------|
| 1 | 110-1135 | 1 | Handle-Lift |
| 2 | 110-1134 | 1 | Cover-Motor |
| 3 | 110-1136 | 1 | Decal |
| 4 | 110-1271 | 14 | Screw-Torx, Pan Head |
| 5 | 112-3921 | 1 | Deck-Upper |
| 6 | 110-1269 | 2 | Screw-Torx, Pan Head |
| 7 | 110-1131 | 1 | Knob-Rod |
| 8 | 110-1104 | 1 | Clamp-Door |
| 9 | 112-3920 | 1 | Deck-Lower |
| 10 | 110-1105 | 1 | Baffle-Chamber, Insert |
| 11 | 110-1103 | 1 | Spring-Torsion |
| 12 | 110-1102 | 1 | Door-Recycle |
| 13 | 110-1118 | 1 | Plate-HOC |
| 14 | 110-1119 | 1 | Spring-Extension |
| 15 | 110-1132 | 1 | Clamp-Cable |
| 16 | 110-1116 | 1 | Knob-HOC |
| 17 | 110-8438 | 4 | Screw-Torx, Flanged Head |
| 18 | 110-8447 | 1 | Washer-Din |
| 19 | 110-1273 | 1 | Screw-Torx, Pan Head |
| 20 | 110-8442 | 1 | Shim-Clamp |
| 21 | 110-1117 | 1 | Spring-Compression |

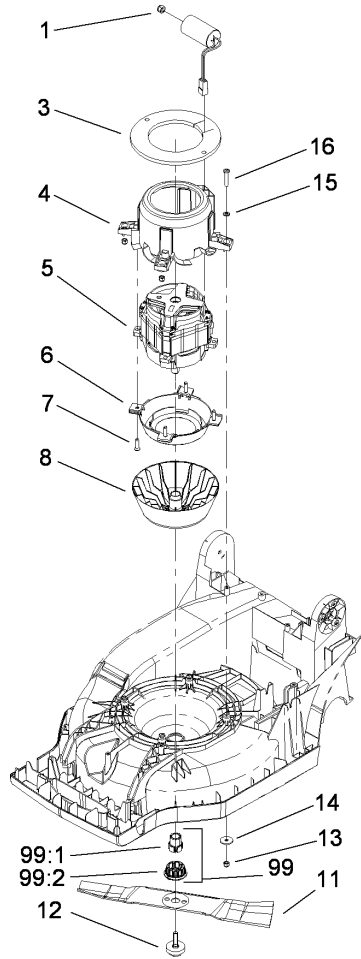
| | | | |
|--|--|--|--|
| | | | |
|--|--|--|--|



Single Point Height-of-Cut Assembly

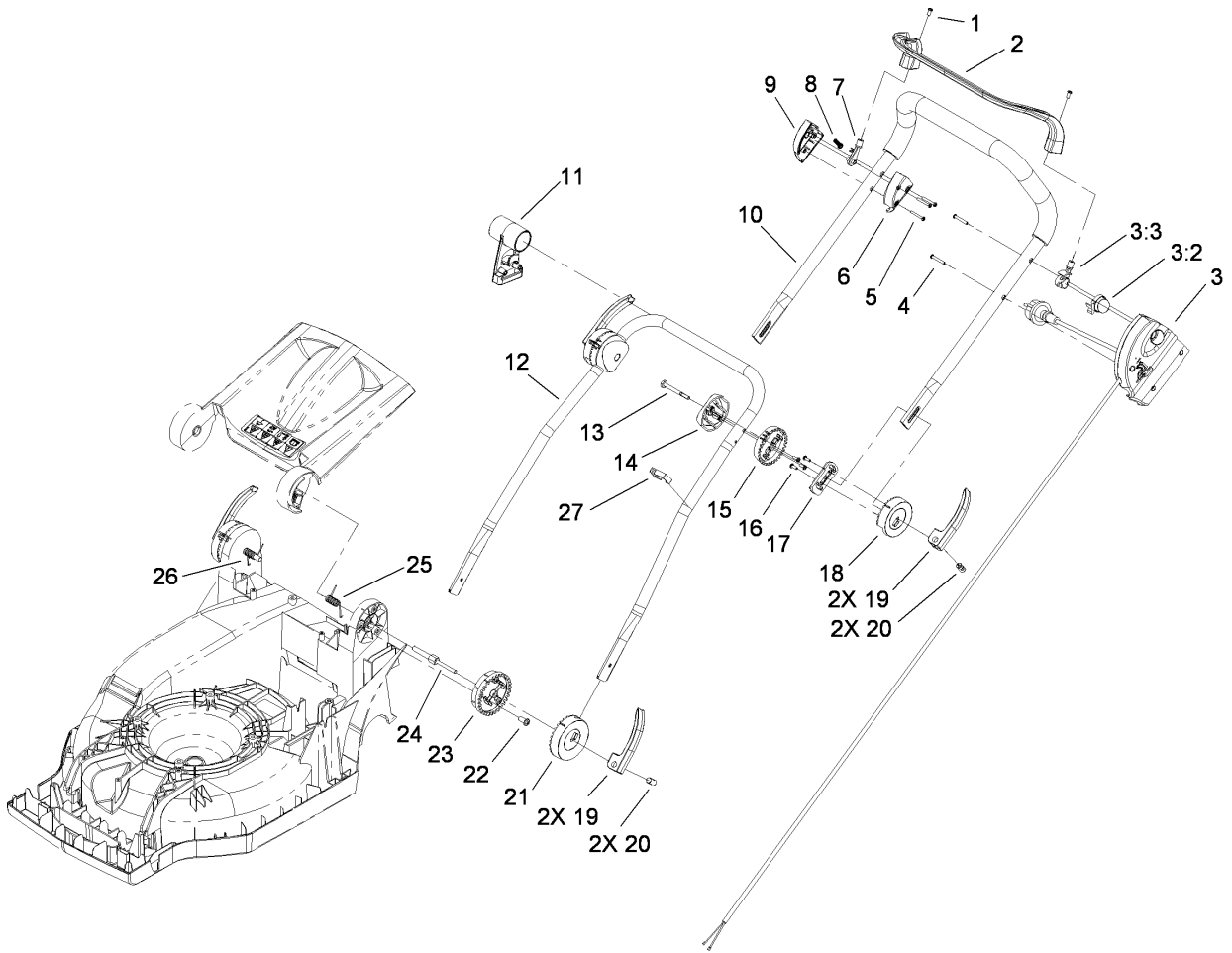
| Ref | Part No. | Qty. | Description |
|-----|----------|------|-------------------------|
| 1 | 110-8420 | 1 | Indicator-Height Of Cut |
| 2 | 110-1253 | 1 | Axle Link ASM |
| 3 | 110-1107 | 1 | Front Axle ASM |
| 4 | 110-1266 | 2 | E-Clip-Din, 8Mm |
| 5 | 110-1148 | 2 | Tire ASM |
| 6 | 110-1278 | 4 | Cap-Starlock, Push |
| 7 | 110-1149 | 2 | Cover-Wheel |
| 8 | 110-1271 | 4 | Screw-Torx, Pan Head |
| 9 | 110-1216 | 2 | Clamp-Axle, Rear |
| 10 | 110-1145 | 2 | Cover-Wheel |
| 11 | 110-1144 | 2 | Tire ASM |
| 12 | 110-1111 | 1 | Rear Axle ASM |

| | | | |
|--|--|--|--|
| | | | |
| | | | |
| | | | |
| | | | |
| | | | |



Motor and Blade Assembly

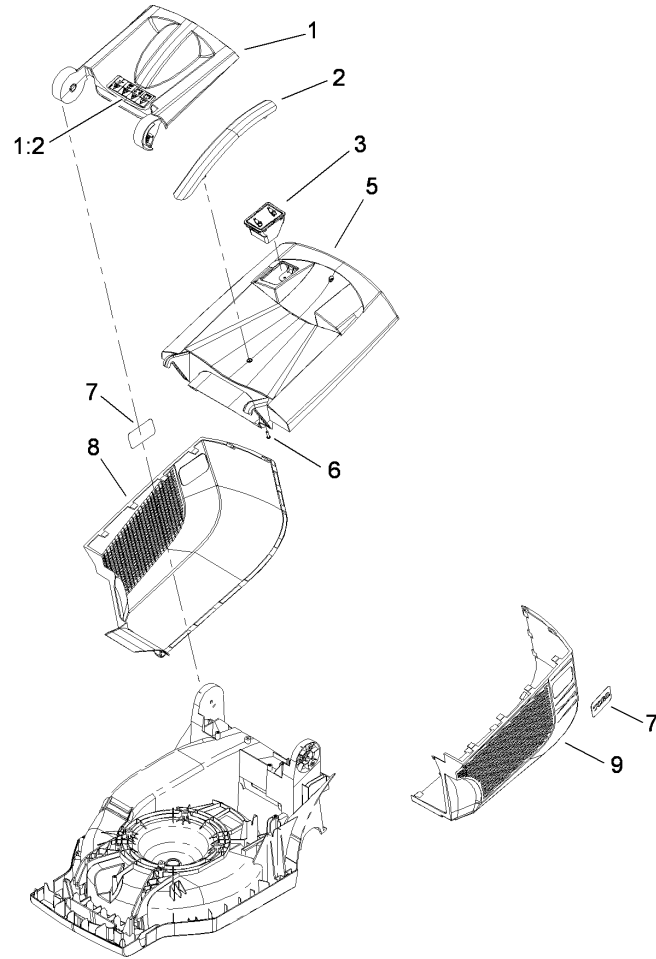
| Ref | Part No. | Qty. | Description | | | | |
|------|----------|------|------------------------|--|--|--|--|
| 1 | 110-1275 | 1 | Nut-Hex, Nyloc | | | | |
| 3 | 110-1130 | 1 | Gasket-Rubber, Motor | | | | |
| 4 | 114-5386 | 1 | Case-Motor, Upper | | | | |
| 5 | 112-3930 | 1 | Motor-1400W | | | | |
| 6 | 110-1122 | 1 | Case-Motor, Lower | | | | |
| 7 | 110-1272 | 4 | Screw-PFH, Countersink | | | | |
| 8 | 115-3105 | 1 | Fan-Motor | | | | |
| 11 | 110-8408 | 1 | Blade-41 Cm | | | | |
| 12 | 110-8459 | 1 | Bolt-Mount, Blade | | | | |
| 13 | 110-8451 | 4 | Nut-Hex, Nyloc | | | | |
| 14 | 115-3106 | 4 | Washer-Flat | | | | |
| 15 | 110-8450 | 4 | Washer | | | | |
| 16 | 110-8449 | 4 | Screw-PPH | | | | |
| 99 | 115-3107 | 1 | Adapter ASM | | | | |
| 99:1 | 114-5388 | 1 | Adapter-Blade | | | | |
| 99:2 | 115-3101 | 1 | Adapter-Mount, Blade | | | | |



Handle Assembly

| Ref | Part No. | Qty. | Description |
|-----|----------|------|-------------------------------|
| 1 | 110-1269 | 2 | Screw-Torx, Pan Head |
| 2 | 110-1176 | 1 | Bail-Control |
| 3 | 110-1167 | 1 | Switch ASM |
| 3:2 | 110-1169 | 1 | Button-Switch |
| 3:3 | 110-1170 | 1 | Pivot-Mount, Arm |
| 4 | 110-1268 | 2 | Screw-Torx, Pan Head |
| 5 | 110-1268 | 3 | Screw-Torx, Pan Head |
| 6 | 110-1165 | 1 | Housing-Pivot, LH |
| 7 | 110-1164 | 1 | Pivot-Mount, Arm |
| 8 | 110-1166 | 1 | Spring-Compression |
| 9 | 110-1163 | 1 | Housing-Pivot, RH |
| 10 | 110-1159 | 1 | Upper Handle ASM |
| 11 | 110-1178 | 1 | Hanger-Cable, Tube |
| 12 | 110-1154 | 1 | Tube-Handle, Lower |
| 13 | 110-1263 | 2 | Bolt-Mounting, Handle |
| 14 | 110-1156 | 2 | Clamp-Handle |
| 15 | 110-1157 | 2 | Mount-Handle, Ratchet |
| 16 | 110-8438 | 8 | Screw-Torx, Flanged Head |
| 17 | 110-8404 | 2 | Plate-Midpoint, Adjust Handle |
| 18 | 110-1177 | 2 | Adapter-Handle, Ratchet |
| 19 | 112-3924 | 4 | Lever-Locking, Handle |
| 20 | 110-1180 | 4 | Pivot-Pin, Threaded |
| 21 | 110-1155 | 2 | Adapter-Handle, Ratchet |
| 22 | 110-1273 | 6 | Screw-Torx, Pan Head |

| Ref | Part No. | Qty. | Description |
|-----|----------|------|----------------------|
| 23 | 112-3922 | 2 | Mount-Handle Ratchet |
| 24 | 110-1138 | 2 | Spindle-Bolt, Handle |
| 25 | 110-1141 | 1 | Spring-Torsion, LH |
| 26 | 110-1140 | 1 | Spring-Torsion, RH |
| 27 | 110-8439 | 1 | Guide-Cable |



Bagging Assembly

| Ref | Part No. | Qty. | Description |
|-----|----------|------|-----------------------|
| 1 | 112-3932 | 1 | Door W/Decal ASM |
| 1:2 | 110-8417 | 1 | Decal-Warning |
| 2 | 110-1184 | 1 | Handle-Grassbox |
| 3 | 110-1187 | 1 | Indicator ASM |
| 5 | 110-1182 | 1 | Housing-Grassbox, Top |
| 6 | 110-1271 | 3 | Screw-Torx, Pan Head |
| 7 | 110-1186 | 2 | Decal-Panel |
| 8 | 110-1185 | 1 | Housing-Grassbox, RH |
| 9 | 110-1183 | 1 | Housing-Grassbox, LH |

| | | | |
|--|--|--|--|
| | | | |
| | | | |
| | | | |
| | | | |
| | | | |
| | | | |
| | | | |
| | | | |
| | | | |
| | | | |

Attachments and Accessories

For 21090 - Eurocycler 41cm Electric Lawn Mower

Product Name

Model/Part

Rear Roller Kit 21094

NOTES

NOTES

NOTES

