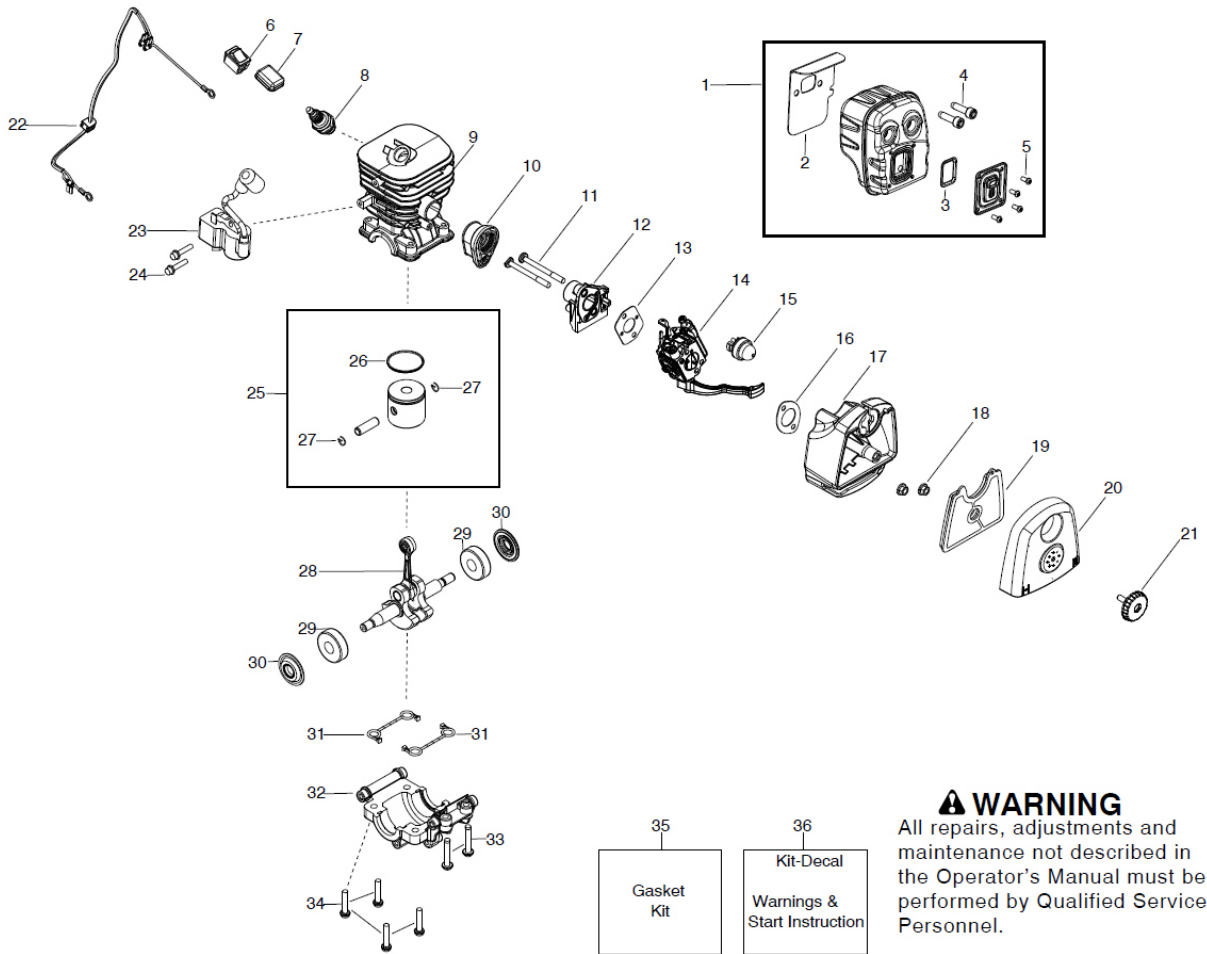




SPARE PARTS LIST

BLOWERS

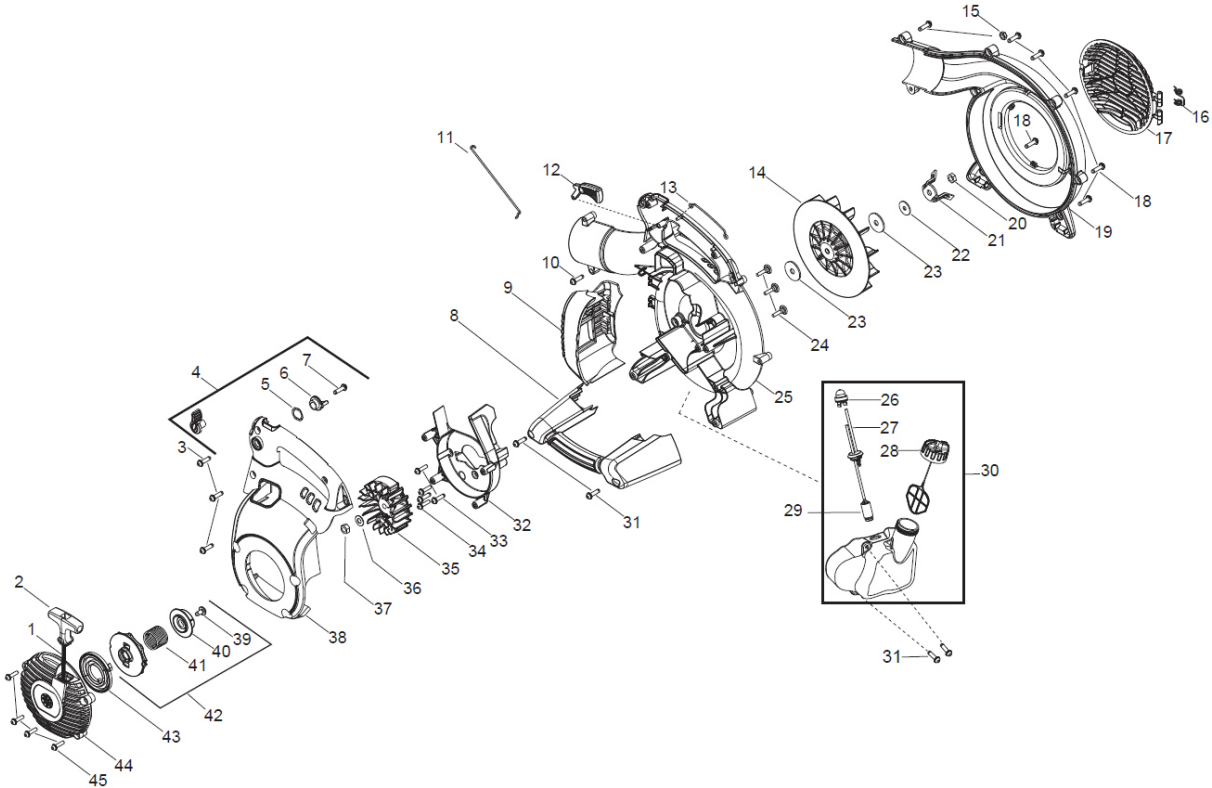
125 BVX, 952711902, 2017-03



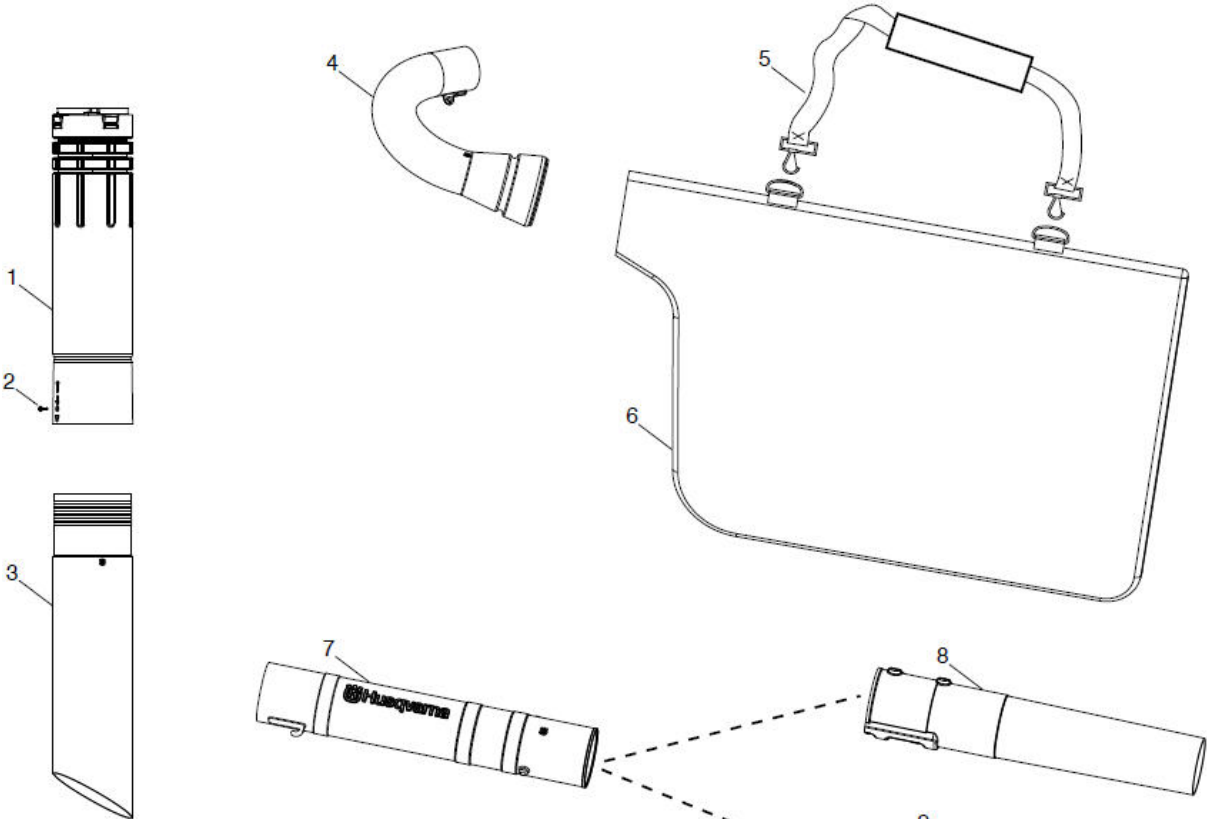
ENGINE

125 BVX, 952711902, 2017-03

Спр. №	Код	Описание	Замечание	КОЛ Наб.
1	580 50 27-01	Глушитель	Assy - Muffler	1 "2,3,4,5"
2	545 08 18-13	Прокладка	Gasket - Muffler (kit)	1 "2,13,16,31,35"
3	545 08 18-10	Бак для воды	Kit - Spark Screen (Incl. 5)	1
4	530 05 89-82	BOLT 0 16X32	Bolt - Muffler	1
5	530 01 52-41	SCREW	Screw	1
6	545 04 93-11	MICRO SWITCH	Switch	1
7	545 12 82-01	PROTECTOR, SWITCH	Protector - Switch	1
8	952 03 02-49	Свеча зажигания NGKBPМR7A	Accy - Spark Plug (RCJ6-Y)	1
9	*****	SEE SERVICE REFERENCE	Cylinder - Chrome	1
10	545 13 25-01	BOOT, CARB	Boot - Carb.	1
11	530 01 61-87	SCREW	Screw	1
12	545 13 33-01	Пластина	Plate - Carb.	1
13	545 08 18-13	Прокладка	Gasket - Carb. (kit)	1 "2,13,16,31,35"
14	545 08 18-11	Бак для воды	Kit - Carb. (Zama W37)	1 "13,16"
15	530 04 77-21	PURGE	Bulb - Purge (Included with #30 on page 1)	1
16	545 08 18-13	Прокладка	Gasket - Airbox (kit)	1 "2,13,16,31,35"
17	545 10 98-01	BASE, AIRBOX	Base - Airbox	1
18	530 01 61-01	Гайка	Nut - Carb screw	1
19	545 11 21-01	Фильтр воздушный	Filter - Air	1
20	545 10 96-01	КРЫШКА	Cover - Airbox	1
21	530 05 97-96	KNOB ASSY AIRBOX COVER	Assy - Airbox Knob	1
22	545 10 82-02	ASSY, LEADWIRE	Assy - Leadwire	1
23	585 83 61-01	MODULE	Module - Ignition	1
24	530 01 64-56	SCREW	Screw	1
25	545 08 18-14	Бак для воды	Kit - Piston	1 "26,27"
26	575 22 79-01	Резиновое кольцо	Ring - Piston	1
27	530 01 51-62	Шайба	Retainer - Piston pin	1
28	*****	SEE SERVICE REFERENCE	Kit - Crankshaft	1
29	545 01 34-01	Игольчатый подшипник	Bearing	1
30	545 08 18-15	Бак для воды	Kit - Crankshaft seal	1
31	545 08 18-13	Прокладка	Seal - Cylinder (kit)	1 "2,13,16,31,35"
32	545 06 83-01	BEARING CAP	Cap - Bearing	1
33	530 01 59-40	SCREW	Screw	1
34	530 01 58-97	SCREW	Screw	1
35	545 08 18-13	Прокладка	Kit - Gasket	1 "2,13,16,31,35"
36	545 08 18-60	KIT DECAL	Kit - Decal	1



Спр. №	Код	Описание	Замечание	КОЛ Наб.
1	545 08 18-17	Бак для воды	Kit - Rope	1
2	545 04 32-04	Ручка стартера	Handle - Starter	1
3	530 01 58-14	SCREW	Screw	1
4	545 08 18-22	Бак для воды	Kit - Cruise control	1 "5,6,7"
5	530 01 51-47	Шайба	Washer - Wave	1
6	545 11 15-01	RATCHET CRUISE CONTROL	Ratchet - Cruise control	1
7	530 01 58-14	SCREW	Screw	1
8	545 11 90-02	HANDLE - ASSIST	Handle - Assist	1
9	545 15 79-01	ASSY, MUFFLER GUARD	Assy. - Muffler guard	1
10	545 00 35-02	SCREW	Bolt - Tube clamp	1
11	545 11 13-01	Тросик	Wire - Linkage	1
12	545 11 16-01	TRIGGER, THROTTLE	Trigger - Throttle	1
13	545 13 17-01	Тросик	Wire - Handle ground	1
14	*****	SEE SERVICE REFERENCE	Impeller	1
15	530 01 51-97	Гайка	Nut - Blower tube	1
16	545 11 11-01	Пружина	Spring - Vac door	1
17	545 11 12-01	КРЫШКА	Cover - Vac door	1
18	530 01 58-14	SCREW	Screw	1
19	575 53 32-01	ASSEMBLY	Assy - Outer scroll	1 "16,17"
20	545 14 71-01	Гайка	Nut - Impeller	1
21	*****	SEE SERVICE REFERENCE	Blade - Mulch	1
22	*****	SEE SERVICE REFERENCE	Washer - Flywheel	1
23	545 16 45-01	Шайба	Washer - Impeller	1
24	530 01 64-45	SCREW FUEL TANK RETAINER	Screw	1
25	545 11 00-01	SCROLL	Scroll - Inner	1
26	530 04 77-21	PURGE	Bulb - Purge	1
27	*****	SEE SERVICE REFERENCE	Fuel line	1
28	*****	SEE SERVICE REFERENCE	Assy - Fuel cap with retainer	1
29	530 09 56-46	Крышка фильтра	Assy - Fuel pickup	1
30	*****	SEE SERVICE REFERENCE	Assy - Fuel tank	1 "26,27,28"
31	530 01 58-14	SCREW	Screw	1
32	*****	SEE SERVICE REFERENCE	Scroll - Flywheel	1
33	530 01 58-14	SCREW	Screw	1
34	530 01 64-45	SCREW FUEL TANK RETAINER	Screw	1
35	576 42 33-01	Крыльчатка	Assy - Flywheel	1
36	530 01 58-28	Шайба	Washer	1
37	530 01 61-34	Гайка	Nut - Flywheel	1
38	545 10 88-01	КРЫШКА	Cover - Motor housing	1
39	545 11 28-01	SCREW	Screw	1
40	545 08 90-01	Втулка	Hub	1
41	545 11 59-01	Пружина	Spring - EPS2	1
42	545 00 60-84	Бак для воды	Kit - Starter	1 "39,40,41"
43	530 04 20-95	Пружина	Spring - Starter	1
44	545 11 18-01	HOUSING - STARTER COVER	Housing - Starter Cover	1
45	530 01 63-86	SCREW	Screw	1



⚠ WARNING

All repairs, adjustments and maintenance not described in the Operator's Manual must be performed by Qualified Service Personnel.

TUBE

125 BVX, 952711902, 2017-03

Спр. №	Код	Описание	Замечание	КОЛ Наб.
1	545 13 12-01	ASSY, UPPER VAC TUBE	Assy - Upper vac tube with adapter	1
2	545 14 41-01	SCREW	Screw	1
3	545 11 96-01	TUBE	Tube - Lower vac	1
4	575 47 88-01	TUBE	Elbow - Vac	1
5	545 13 29-03	STRAP SHOULDER	Strap - Carrying	1
6	545 11 98-01	BAG	Assy - Vac bag	1
7	590 56 92-01	TUBE	Assy - Tube - upper blower w/barrier	1
8	545 11 80-01	TUBE	Tube - Lower blower (round)	1
9	545 11 95-01	Баллон-распылитель краски	Tube - Lower blower (flare)	1